

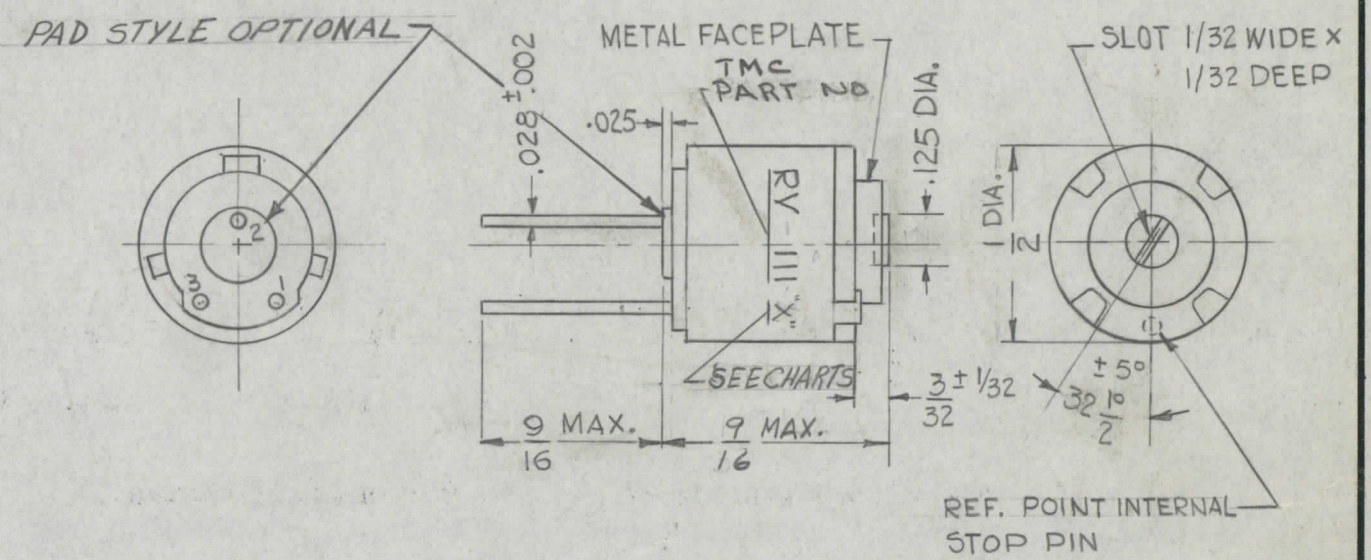
STANDARD DRAWING

REV. NO.	MFRS. PART NO.	VALUE (OHMS)	TAPER	RES.	TOL.
RV-III-1	74301M	500	LINEAR	500	±10%

B
RV-III

REVISIONS					
SYM	DESCRIPTION	DATE	E.M.N. NO.	DRAFT	CHKD APPD
A	TAPER; TOLERANCE; RESISTANCE CHARTS & TMC PART NO. ADDED. TMC P/N CHART DELETED	6/8/64	11498	A.M.	@ JC
B	PAD SIZE OPTIONAL, 5401-386 (PR), 5401-106 (63M5), (FWR) ADDED	9/24/65	14658	H.V.	J.P.S. JC

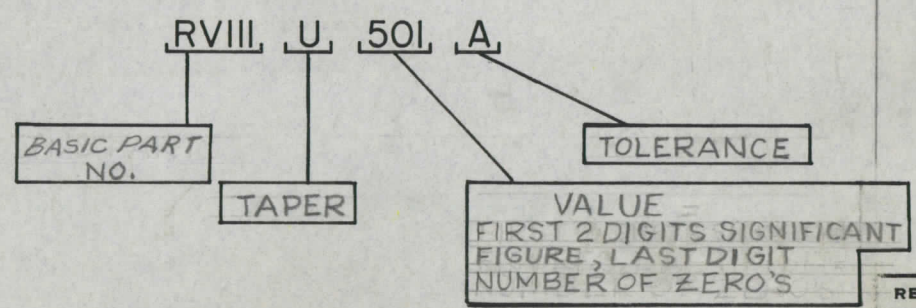
- SPECIFICATIONS:**
- PERFORMANCE SHALL MEET REQUIREMENTS OF MIL-R-94B AND AMENDMENTS
 - OPER. TEMP.: -55°C. TO +120°C.
 - POWER RATING (NOM.): 0.25 WATT AT 70°C.
 - ROTATION TORQUE: 0.25 IN./OZ MIN. @ 25°C
3.0 IN./OZ MAX.
 - MARKING: ENCLOSURE SHALL BE MARKED AS SHOWN, IN BLACK. (SEE CHART & PICTORIAL)
 - STOP TORQUE: 2.0 IN/POUND MIN.
 - TEMP. AND MOISTURE: CHARACTERISTIC "Y."



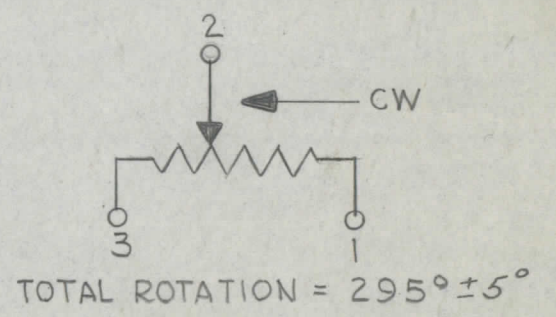
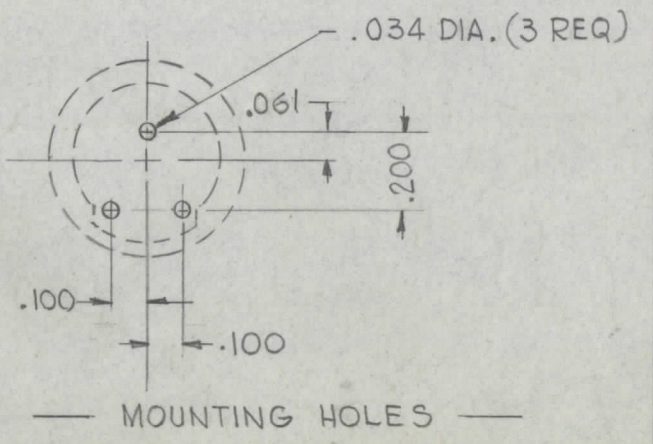
TAPER	
A	CLOCKWISE MODIFIED LOG
B	COUNTER CLOCKWISE MODIFIED LOG
U	LINEAR

TOLERANCE		
A	10%	UP TO AND INCLUDING 1 MEG
B	20%	ALL VALUES

TMC PART NO. SHALL BE IN THE FOLLOWING FORM:



RESISTANCE IN OHMS		
100	5,000	250,000
250	10,000	500,000
500	25,000	1 MEG
1,000	50,000	2.5 MEG
2,500	100,000	5 MEG



REQ'D.	ITEM	PART NUMBER	DESCRIPTION	SYMBOL
LIST OF MATERIAL				
MATERIAL			THE TECHNICAL MATERIEL CORP. MAMARONECK, NEW YORK	
FINISH			TITLE RESISTOR, VARIABLE, COMP.	
UNLESS OTHERWISE SPECIFIED DIMENSIONS ARE IN INCHES AND INCLUDE CHEMICALLY APPLIED OR PLATED FINISHES			DRAWN	G.D.L.
			DATE	9-3-63
DECIMALS .X ± .05 .XX ± .01 .XXX ± .005			CHECKED	file
			DATE	9-4-63
FRACTIONS ± 1/64 ANGLES ± 0° 30'			ELECT. DES.	WA. PALMER
			DATE	9-5-63
TOLERANCES			MECH. DES.	R KOHN
			DATE	10-18-63
			FINAL APPROVAL	BP
			DATE	
			SHEET	RV III
			REV. LTR.	B

NOTES

THE CONTENTS OF THIS DRAWING ARE THE EXCLUSIVE PROPERTY OF THE TECHNICAL MATERIEL CORP. ITS UNAUTHORIZED USE OR REPRODUCTION IN WHOLE OR IN PART IS STRICTLY FORBIDDEN.