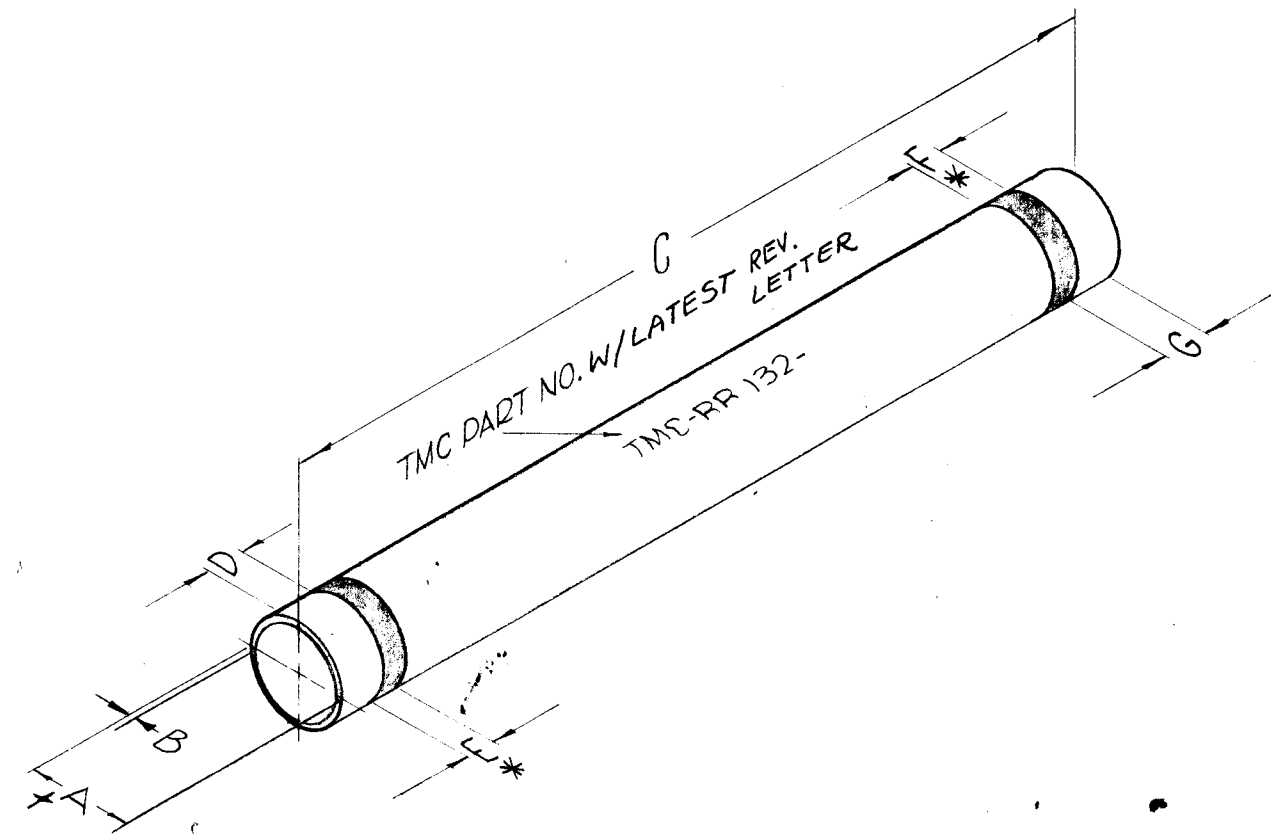


STANDARD DRAWING

TMC PART NO.	MFG. PART NO.	MFG. CODE	WATTS	RES.	DES. TOL.	A	B	C ^{±1/4}	D ^{±1/16}	E ^{±1/8}	F ^{±1/8}	G ^{±1/16}	M
RD 132-1	CGW87-0490	S401-	5000@40°c	300Ω	5%	7 ^{±.215}	.375 ^{±.110}	60"	1-1/2	1-1/2	1-1/2	1-1/2	RR 132
RR 132-2	CGW874851		5000@40°c	325Ω	5%	7 ^{±.215}	.375 ^{±.110}	60"	1 1/2	1 1/2	1 1/2	1 1/2	

REVISIONS						
SYM	DESCRIPTION	DATE	E.M.N. NO.	DRAFT	CHKD	APPD
A	ON RR-132-1 - "A" WAS 7", "B" WAS 6/8 RR-132-2 ADDED TO CHART, ON PICT. "B" RELOC.	8.27.64	12184	WB	JCB	jc
B	ON CHART TOLERANCES ADDED	10.2.64	12503	92.	Ⓞ	Ⓞ



† DIMENSION INCLUDES OUT OF ROUND.
* CONTACT BANDS, FIRED ON SILVER.

SPECIAL WIDE SPIRAL CONFIGURATION.
UNLESS OTHERWISE SPECIFIED ALL DIMENSIONS ARE IN INCHES.

REQ'D.	ITEM	PART NUMBER	DESCRIPTION	SYMBOL
LIST OF MATERIAL				
MATERIAL		PYREX GLASS NO. 7740	THE TECHNICAL MATERIEL CORP. MAMARONECK, NEW YORK	
FINISH		SILICONE BASE PROTECTIVE COATING	RESISTOR, FIXED	
UNLESS OTHERWISE SPECIFIED DIMENSIONS ARE IN INCHES AND INCLUDE CHEMICALLY APPLIED OR PLATED FINISHES		DRAWN John C. Biele	DATE 1-30-63	FINAL APPROVAL BP
DECIMALS .X ± .05 .XX ± .01 .XXX ± .005		TOLERANCES	FRACTIONS ± 1/64 ANGLES ± 0° 30'	DATE RR 132
SCALE		CODE S401-42	MECH. DES.	DATE B
THE CONTENTS OF THIS DRAWING ARE THE EXCLUSIVE PROPERTY OF THE TECHNICAL MATERIEL CORP. ITS UNAUTHORIZED USE OR REPRODUCTION IN WHOLE OR IN PART IS STRICTLY FORBIDDEN.		SHEET		REV. LTR.

NOTES