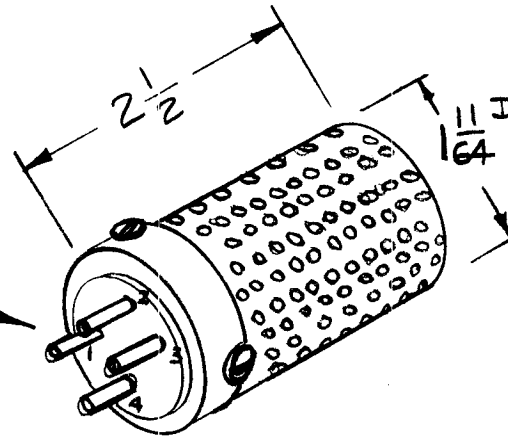


REQ. PER UNIT	USED ON			RR-128	B
	MODEL	ASSY. NO.	DATE		
1	TU-2	ATS-2	JULY 6-1959		



Element Connected to Pins 2 & 4

TEMPERATURE COEFFICIENT:
 • 2 % R.H. Per Degree Fahrenheit
 from 32° F To 104° F.
 POWER - 117 Volts, 50/60 CPS
 ACCURACY - ± 3 %
 CASE - 20 GA. C.R.S. Perforated
 Nickel Plated

Note - Manufacturer will Assemble Element & Case.

REF: Use Socket TMC # TS-144

ISSUE	ITEM	CHANGED FROM	DATE	CH. NO.	DRAFTS	CHECKER	ENG. APP.	REQ. ITEM	PART NO.	DESCRIPTION	SYMBOL		
										THE TECHNICAL MATERIEL CORP. MAMARONECK, NEW YORK	RESISTOR-HUMIDITY SENSING		
B	1	Additional Specs & Dim. Added.	10/2/59	1409	16		<i>CRB</i>						
A	-	HOUSING ASSY ADDED	8/21/57	1217	<i>HR</i>	P.R.	<i>CRB</i>						
TOLERANCES			SCALE: 5401-67 Model 2001 (Element 2C-E)										
DEC. DIM. ± FRAC. DIM. ± ANGULAR DIM. ±			MAXIMUM ALLOWABLE TOLERANCES HAVE BEEN DETERMINED AND ANY DEVIATIONS WILL BE CAUSE FOR REJECTION. REMOVE ALL BURRS AND SHARP EDGES										
								TYPE & TEMPER	HEAT TREAT. SPEC.	DRAWN	CHECKED	FINAL APPROVAL	
										<i>CG</i>		RR-128	B
								FINISH & SPEC. NO.		ELEC. DES. APP MECH. DES. APP			