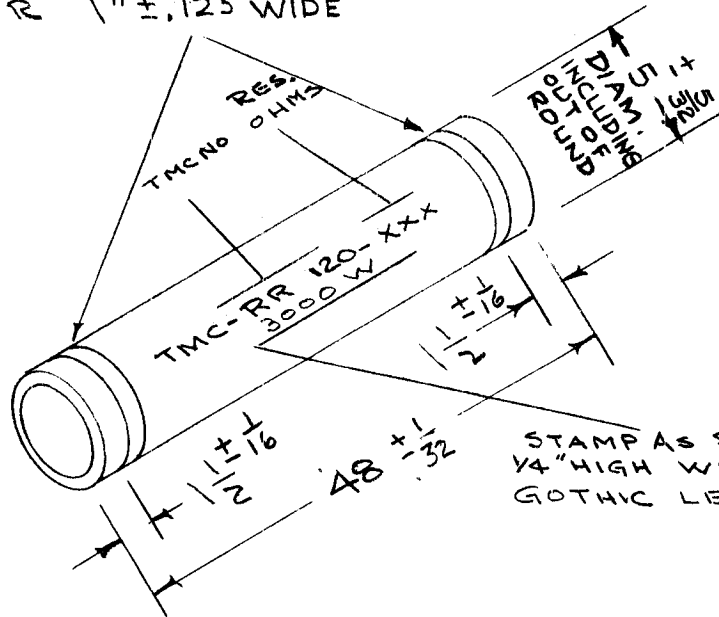


CONTACT BANDS, FIRED ON SILVER 1" ± .125 WIDE



STAMP AS SHOWN
1/4" HIGH WHITE
GOTHIC LETTERING

RESISTANCE TOL. ± 5%

REQ. PER UNIT	USED ON		
	MODEL	ASS'Y. NO.	DATE
2	TER-5000	A-143(8)	3-21-57

RR 120 L

NOTICE TO PERSONS RECEIVING THIS DRAWING

CORNING NO.	RESIS. (OHMS)
870253 REV. 1	300
	140
	325
	100
	420

THE TECHNICAL MATERIEL CORPORATION claims proprietary right in the material disclosed hereon. This drawing is issued in confidence for engineering information only and may not be reproduced or used to manufacture anything shown hereon without permission from THE TECHNICAL MATERIEL CORPORATION to the contrary. This drawing is loaned for mutual activities and is subject to recall at any time.

Property of

THE TECHNICAL MATERIEL CORPORATION

MAMARONECK, NEW YORK

TYPE DESIGNATION TO BE IN FOLLOWING FORM

RR-120-300

TMC NO

RESISTANCE (OHMS)

NO LONGER AVAILABLE
REPLACED BY RR 142

STANDARD DRAWING

L		NOTE: NO LONGER AVAILABLE ADD	10-1-88		GDL		AB
K		CORNING NO. FOR 300Ω WAS 878253	9/29/69		K.H.	R.P.	CC
J		ADDED 420 OHMS	7-20-66	16597	RME	J.C.B.	M.H.
H		TOL ADDED TO DIM DIM FOR REF DELETED	10/2/64	12503	J.R.	@	J.C.
G	1	100Ω ADDED	3/5/59	850	J.H.	J.H.	AMB
F	1	DIAM. "OUT OF ROUND" WAS .060 - IT IS NOW INCLUDED IN 515/32	2/2/59	766	V.B.	G.G.	AMB
E	2	325Ω ADDED RES. TOL ADDED	12/30/58	612	J.H.		G.G.
D	1	WATTAGE STAMPING ADDED	10/21/57	4	J.H.	V.B.	ATT
C	2	CORNING NO. ADDED	9-57	3	J.C.	J.H.	AMB
B	1	5'DIA. WAS 4 7/8"	4-4-57	2	J.C.	J.H.	AMB
A	1	TYPE DESIGNATION ADDED	1/7/57	1	J.H.	V.B.	AMB

ISSUE	ITEM	CHANGED FROM	DATE	CH. NO.	DRAFTS	CHECKER	ENG. APP.
		TOLERANCES	SCALE: 1/2" = 1"				
		DEC. DIM. ±	MAXIMUM ALLOWABLE TOLERANCES HAVE BEEN DETERMINED AND ANY DEVIATIONS WILL BE CAUSE FOR REJECTI N. REMOVE ALL BURRS AND SHARP EDGES				
		FRAC. DIM. ±					
		ANGULAR DIM. ±					

REQ. ITEM	PART NO.	DESCRIPTION	SYMBOL
		THE TECHNICAL MATERIEL CORP. MAMARONECK, NEW YORK	
STOCK SIZE		RESISTOR, FIXED	
MATERIAL		3000 WATTS	
TYPE & TEMPER	HEAT TREAT. SPEC.	DRAWN	CHECKED
FINISH & SPEC. NO.		ELEC. DES. APP.	MECH. DES. APP.

ODD 10/21/56 J.H.W. A.J.J.
RR 120 L