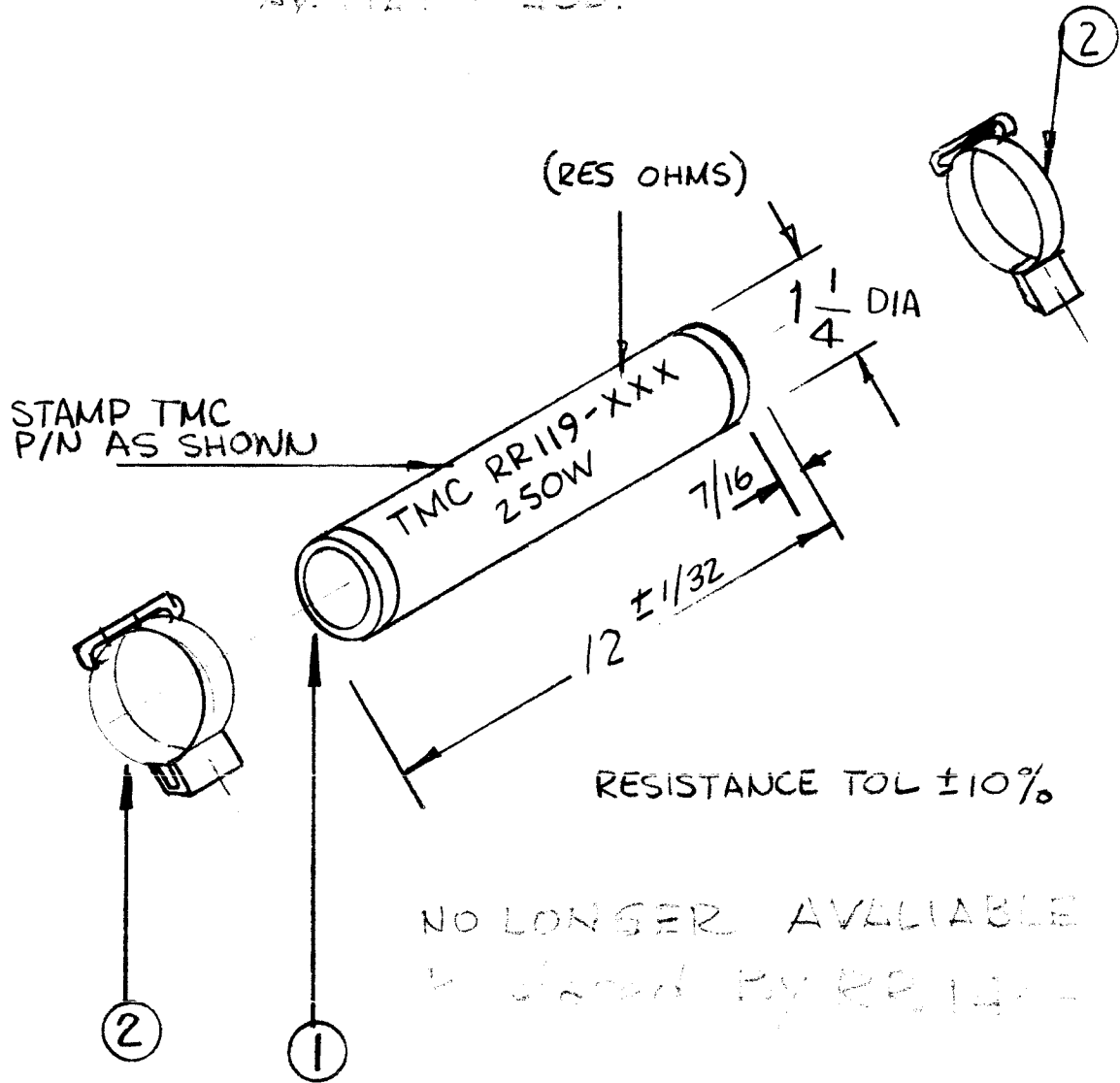


APPLICATION			REVISIONS						
QTY	MODEL USED ON	ASS'Y NO.	LTR	DESCRIPTION	DATE	E.M.N.NO	DRAFT	CHKD	APPD
	TER 500		G	REVISED F REDRAWN	7-28-84	21979	NO		

NOTE: NO LONGER AVAILABLE BY RR 119-XXX

RESISTANCE AVAILABLE
50
140
300



REQ'D	ITEM	PART NUMBER	DESCRIPTION	SYM.
2	2	CU178	RETAINER CLIP	
1	1	RR138-XXX	RESISTOR FIXED 250W	

LIST OF MATERIAL			
FINAL APPROVAL	DATE	THE TECHNICAL MATERIEL CORP. MAMARONECK, NEW YORK RESISTOR, FIXED, 250W	
MECH. DES.	DATE		
ELECT. DES.	DATE		
CHECKED	DATE		
DRAWN	DATE		
REDRAWN	DATE		

UNLESS OTHERWISE SPECIFIED DIMENSIONS ARE IN INCHES AND INCLUDE CHEMICALLY APPLIED OR PLATED FINISHES	
DECIMALS	FRACTIONS
.X ± .05	TOLS. 1/64
.XX ± .01	ANGLES 0° 30'
.XXX ± .005	
MATERIAL	
FINISH	

NOTICE TO PERSONS RECEIVING THIS DRAWING THE TECHNICAL MATERIEL CORPORATION claims proprietary right in the material disclosed hereon. This drawing is issued in confidence for engineering information only and may not be reproduced or used to manufacture anything shown hereon without permission from THE TECHNICAL MATERIEL CORPORATION to the user. This drawing is loaned for mutual assistance and is subject to recall at any time.				SIZE	CODE IDENT. NO.	DWG NO.	ISSUE
		A	82679	RR119	H		
SCALE			SHEET		OF		