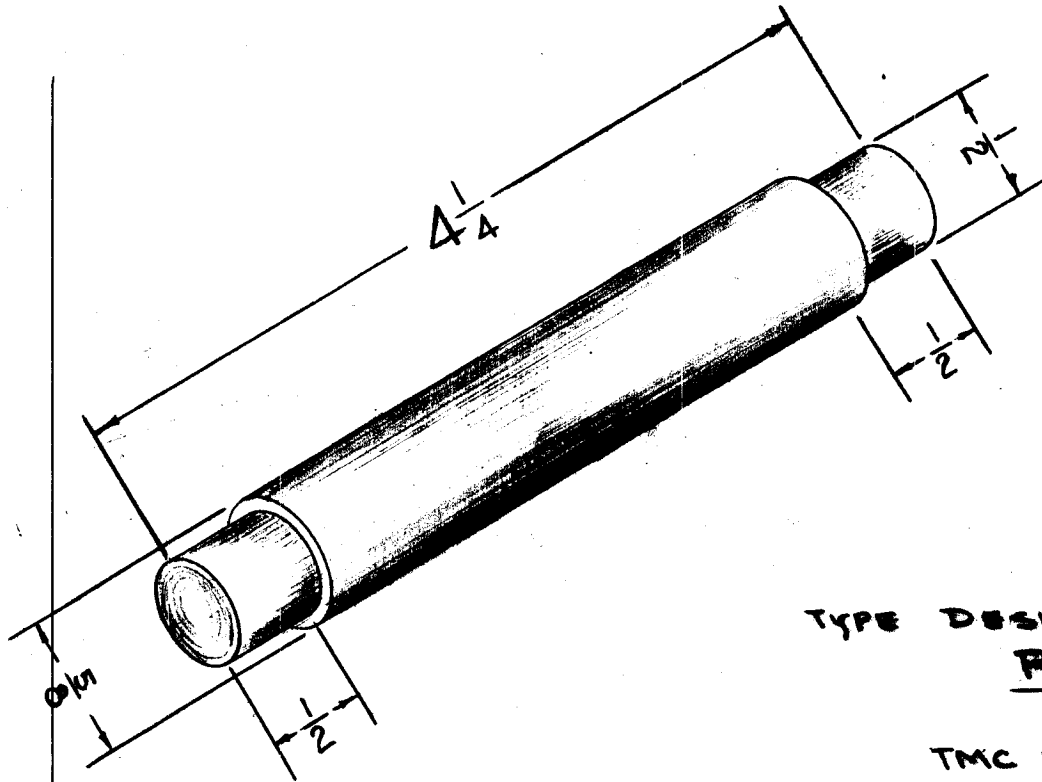


IF IT IS FOUND DESIRABLE TO CHANGE ANY TOLERANCE OR OTHER DETAIL SPECIFIED ON THIS DRAWING NOTIFY THE PURCHASER PROMPTLY.

MAXIMUM ALLOWABLE TOLERANCES HAVE BEEN DETERMINED AND DEVIATIONS WILL BE CAUSE FOR REJECTION. REMOVE ALL BURRS AND SHARP EDGES

RR-115 C

REQ. PER UNIT	USED ON			
	MODEL	PROJECT NO.	ASS'Y. NO.	DATE
6	RTB-1			8-19-55
1	RTB-2			7/27/56
3	RTB-3			N
	RTB-12			5-3-67



MECHANICAL SPECIFICATIONS  
CASE - BAKELITE  
CONTACTS - BRASS

TYPE DESIGNATION TO BE IN FOLLOWING FORM

RR-115-140

TMC NO

OHMS

STANDARD DRAWING

ISSUE	ITEM	CHANGED FROM	DATE	CN. NO.	DRAFTS	CHECKER	ENG. APP.
C	2	OBsolete NOTE DELE. ON TITLE, 10 WATTS WAS 5 WATTS.	11-12-64	12915	SR		
B	1	DIRECTLY REPLACED BY RR-133-X	3-20-64	8594			
A	1	TYPE DESIG. ADDED	7-1-64	1			

TOLERANCES		SCALE
ALL OTHERS	DEC. DIM. ± FRAC. DIM. ± ANGULAR DIM. ±	DRILL, PUNCH, COMMERCIAL STOCK SIZES AND MANUFACTURERS TOLERANCES ARE NOT INCLUDED.

REQ.	ITEM	PART NO.	DESCRIPTION	SYMBOL
			THE TECHNICAL MATERIEL CORP. MAMARONECK, NEW YORK	
		STOCK SIZE	RESISTOR	
		MATERIAL	10 WATTS	
		WEIGHT PER PC.	10 8-19-55	ARB
		TYPE & TEMPER	DRAWN	ELEC. DES. APP.
			MECH. DES. APP.	
		HEAT TREAT. SPEC.	ARB	FINAL APPROVAL
		FINISH & SPEC. NO.	1A-1070	RR-115
				C