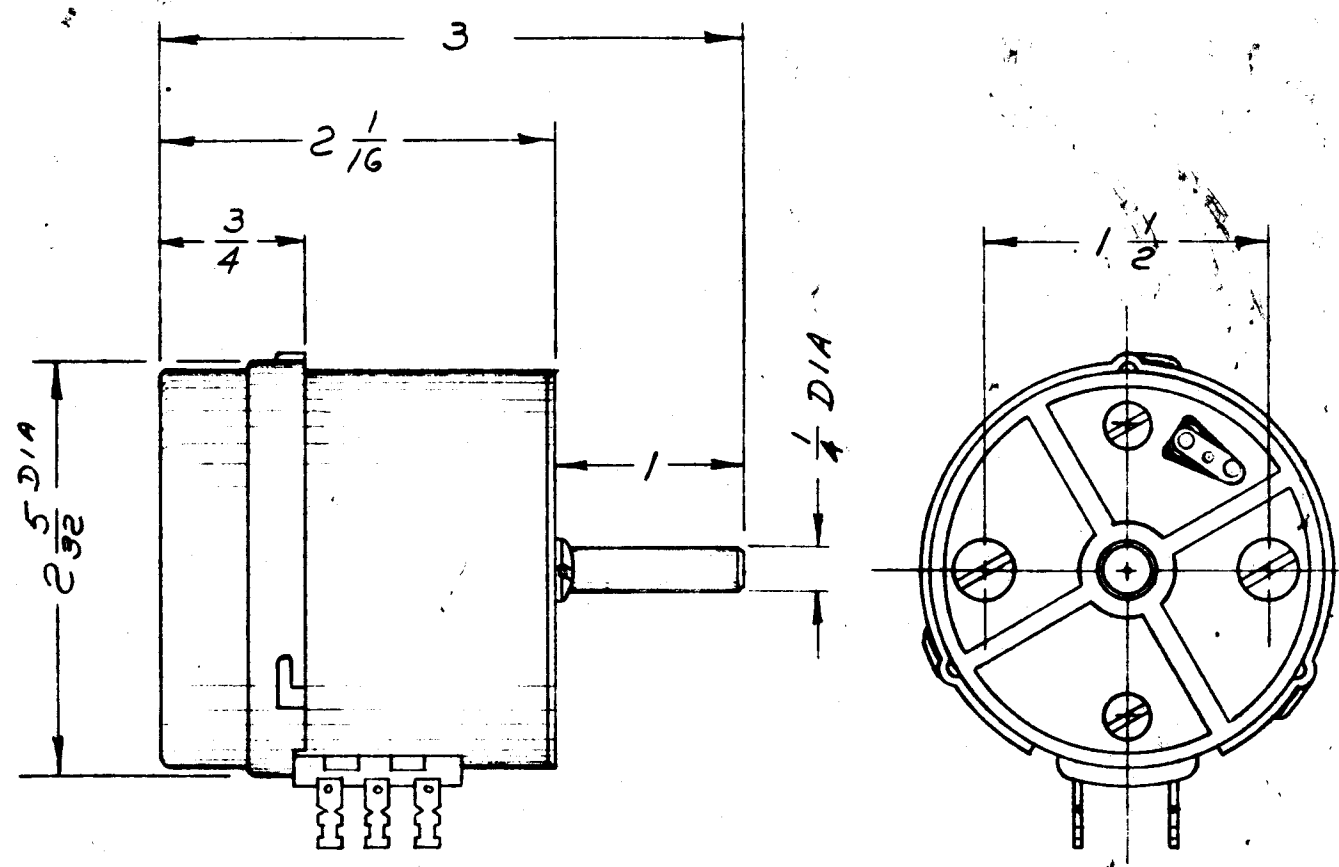


NOTICE: When Government drawings, specifications, or other data are used for any purpose other than in connection with a definitely related Government procurement operation, the United States Government thereby incurs no responsibility, nor any obligations whatsoever; and the fact that the Government may have formulated, furnished, or in any way supplied the said drawings, specifications, or other data is not to be regarded by implication or otherwise as in any manner licensing the holder or any other person or corporation, or conveying any rights or permission to manufacture, use, or sell any patented invention that may in any way be related thereto.

RR-107

NEXT ASSEMBLY	1 ST USED ON

REVISIONS			
SYM	DESCRIPTION	DATE	APPROVAL
A	DWG NO. WAS MB-982	6-4-53	<i>[Signature]</i>



RESISTOR, VARIABLE STEP TYPE; UTILIZES CARBON RESISTORS; 50,000 OHMS ± 5%; 1/2 WATT; 3 SOLDER LUG TERMINALS; CLOSED METAL CASE; METAL SHAFT; 20 STEPS, 1 DB PER STEP; LAST STEP COUNTER CLOCKWISE INFINITY ATTENUATION; 15° ROTATION BETWEEN STEPS; INSULATED CONTACT ARM. 2 INSERTS THREADED FOR # 8-32 MTG SCREWS ON 1 1/2 BETWEEN MTG CENTERS. DAVEN CO. # CP-251-S CODE DBLQ

NOTICE TO PERSONS RECEIVING THIS DRAWING

THE TECHNICAL MATERIEL CORPORATION claims proprietary right in the material disclosed hereon. This drawing is issued in confidence for engineering information only and may not be reproduced or used to manufacture anything shown hereon without permission from THE TECHNICAL MATERIEL CORPORATION to the user. This drawing is loaned for mutual assistance and is subject to recall at any time.

Property of:
THE TECHNICAL MATERIEL CORPORATION
MAMARONECK, NEW YORK

REQD	PART NO.	DESCRIPTION	MATL	MATL SPEC	UNIT WT.	ZONE
		RESISTOR				
		SFO-2				
		REGENERATOR				
UNLESS OTHERWISE SPECIFIED		AUTHENTICATION		THE TECHNICAL MATERIEL CORPORATION MAMARONECK, NEW YORK		
DIMENSIONS ARE IN INCHES		DRAWN <i>TMC</i>		RR-107		
TOLERANCES ON		TRACED				
FRACTIONS ± 1/64		CHECKED <i>TMC</i>				
DECIMALS ± .005		VERIFIED				
ANGLES ± 1°-0'		APPD		ISSUE SYMBOL		
COMMERCIAL TOLERANCES		REV D		A		
APPLY TO STOCK SIZES		DATE 15 APR 1949		SCALE 1/1		