

THE CONTENTS OF THIS DRAWING ARE THE EXCLUSIVE PROPERTY OF THE TECHNICAL MATERIEL CORP. ITS UNAUTHORIZED USE FOR REPRODUCTION IN WHOLE OR IN PART IS STRICTLY FORBIDDEN.

REQ. PER UNIT

1

USED ON

MODEL

GPT-200K AS-124

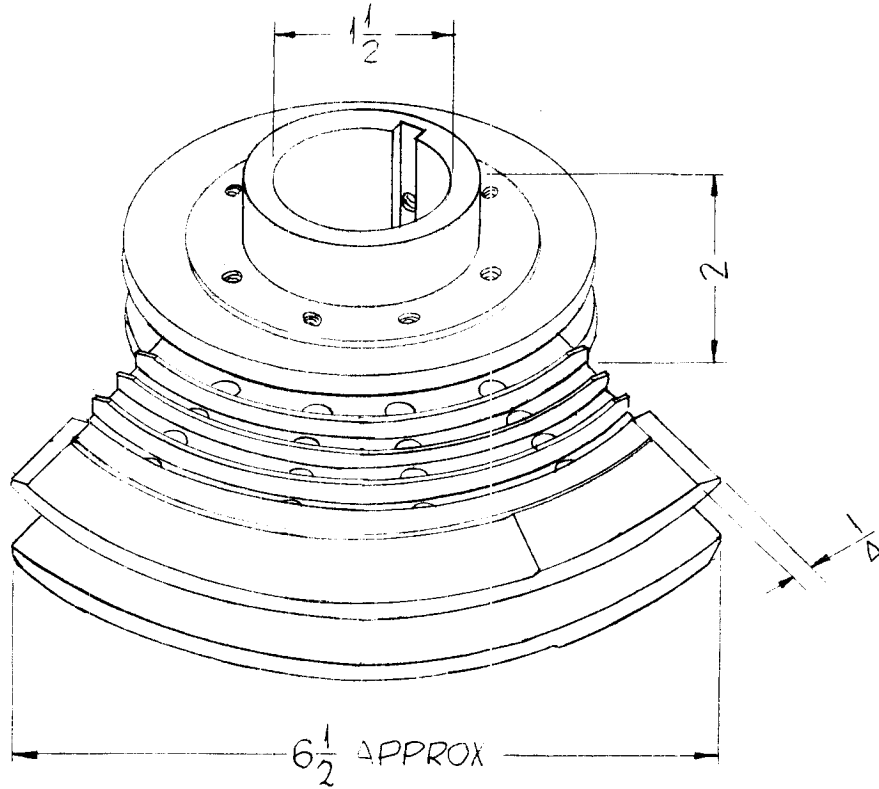
ASS'Y. NO.

AX-441

DATE

4-18-63

RO-105 | 0



REF-TMC NO. PM-862

							REQ. ITEM	PART NO.	DESCRIPTION			SYMBOL			
									THE TECHNICAL MATERIEL CORP. MAMARONECK, NEW YORK						
							STOCK SIZE		ROTOR, BANDSWITCH 2NDTT						
0	ORIG. RELEASE FOR PROD.		5-166A	SRG			MATERIAL								
SYM	DESCRIPTION		DATE	CH. NO.	DRAFTS	CHECKER	ENG. APP.								
UNLESS OTHERWISE SPECIFIED DIMENSIONS ARE IN INCHES AND INCLUDE CHEMICALLY APPLIED OR PLATED FINISHES							SCALE		SRG aa RDR						
DECIMALS: .X ± .05 .XX ± .01 .XXX ± .005							TOLERANCES		TYPE & TEMPER			HEAT TREAT. SPEC.	DRAWN	CHECKED	FINAL APPROVAL
FRACTIONS ± 1/64 ANGLES ± 0° 30'							CODE		DRAWN			MECH. DES. APP.	ELEC. DES. APP.		RO-105 0
							FINISH & SPEC. NO.								