

IF IT IS FOUND DESIRABLE TO CHANGE ANY TOLERANCE OR OTHER DETAIL SPECIFIED ON THIS DRAWING NOTIFY THE PURCHASER PROMPTLY.

MAXIMUM ALLOWABLE TOLERANCES HAVE BEEN DETERMINED AND DEVIATIONS WILL BE CAUSE FOR REJECTION. REMOVE ALL BURNS AND SHARP EDGES.

DIMENSIONS IN INCHES UNLESS OTHERWISE SPECIFIED

ISSUE	ITEM	CHANGED FROM	DATE	CN. NO.	DRAFTS	CHECKER	ENG. APP.

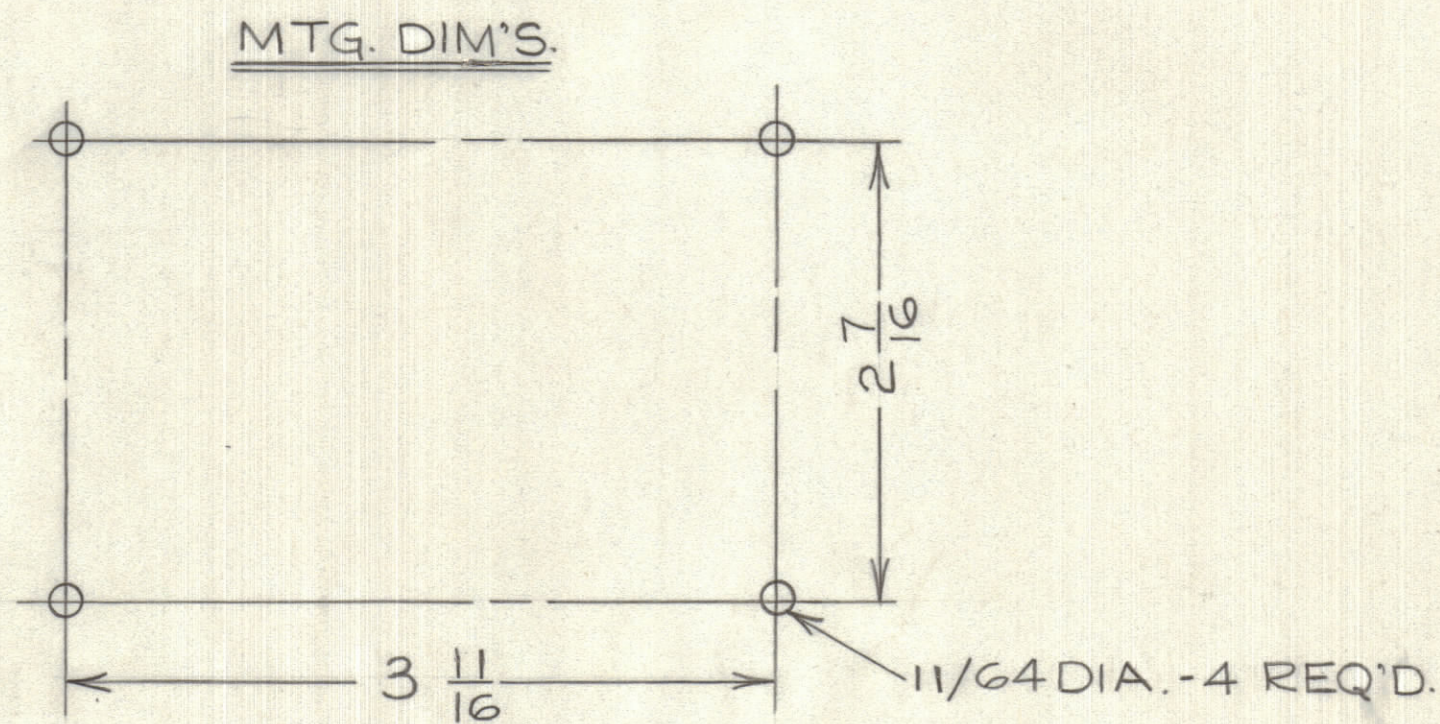
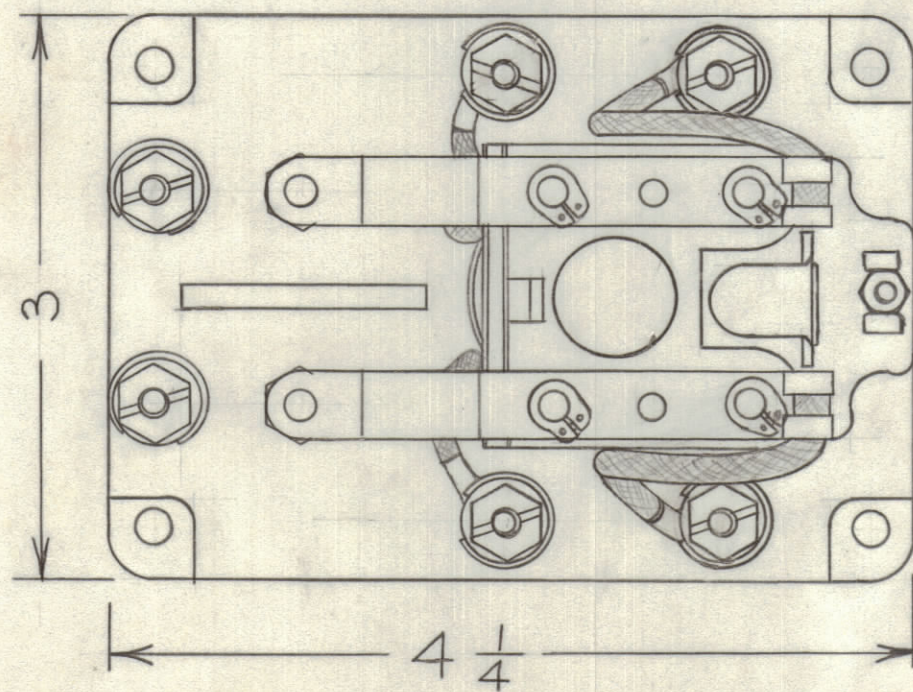
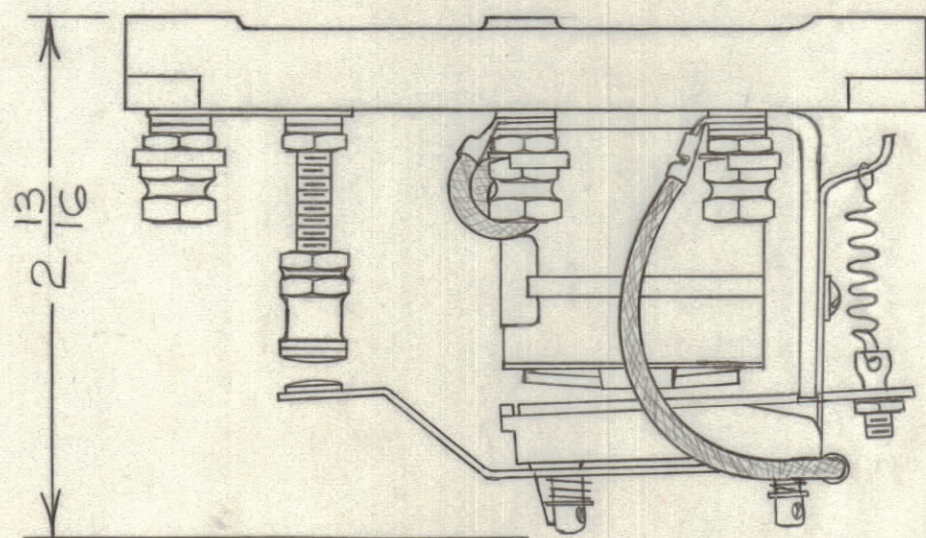
REQ.	ITEM	PART NO.	DESCRIPTION	SYMBOL

NOTICE TO PERSONS RECEIVING THIS DRAWING

THE TECHNICAL MATERIEL CORPORATION claims proprietary right in the material disclosed hereon. This drawing is issued in confidence for engineering information only and may not be reproduced or used to manufacture anything shown hereon without permission from THE TECHNICAL MATERIEL CORPORATION to the user. This drawing is loaned for mutual assistance and is subject to recall at any time.

Property of:  
THE TECHNICAL MATERIEL CORPORATION  
MAMARONECK, NEW YORK

VOLTS	24	115	230
AC (AMPS)	30	30	30
DC (AMPS)	30	6	3



RL10026

MFRS. PT. # : 8BXX.

STANDARD DRAWING

TOLERANCES

ALL OTHERS	DEC. DIM. ±	SCALE: S 10045-29
	FRAC. DIM. ±	DRILL, PUNCH, COMMERCIAL STOCK
	ANGULAR DIM. ±	SIZES AND MANUFACTURERS
		TOLERANCES ARE NOT INCLUDED.

MODEL	PROJECT NO.	ASS'Y. NO.	DATE
			Feb. 5, 1962.

USED ON

STOCK SIZE		TMC (Canada) LIMITED	
MATERIAL		OTTAWA ONTARIO	
WEIGHT PER PC.		RELAY	
TYPE & TEMPER		JPC	KH
HEAT TREAT. SPEC.		DRWN	ELEC. DES. APP.
FINISH & SPEC. NO.		CHECKED	MECH. DES. APP.
		FINAL APPROVAL	
		RL10026	