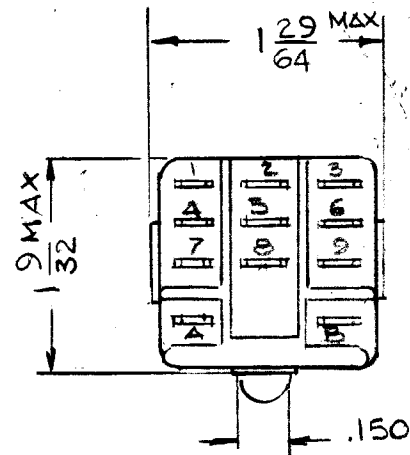
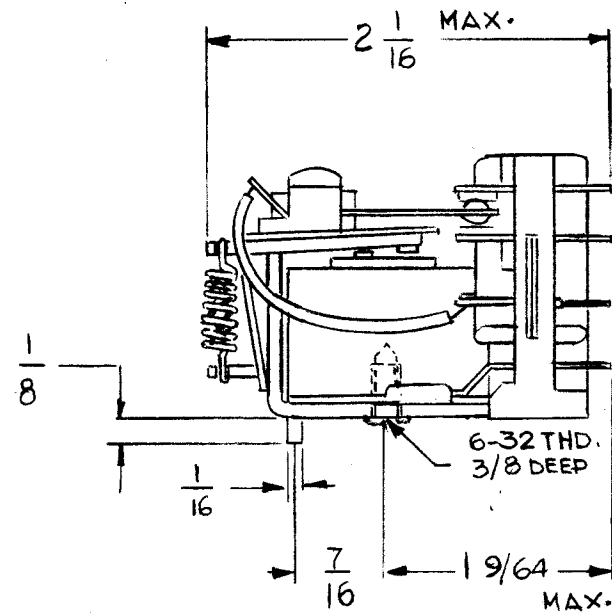


REVISIONS						DATE	APPROVED
E.M.N. NO.	DRAFT	CHKD	ZONE	LTR	DESCRIPTION		

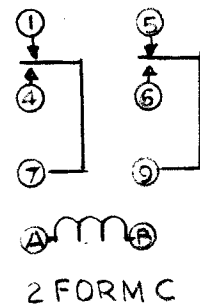


SPECIFICATIONS:
 CONTACTS : DP DT
 12 AMPS
 MATERIAL : SILVER ALLOY GOLDEN PLATED

COIL DATA:
 24VDC
 470 Ω
 NOMINAL POWER 1.2 W

MOUNTING DATA:
 SINGLE SCREW HAS A 6-32 THD.

SCHEMATIC DIAGRAM
 VIEWED FROM TERMINAL END



REF: MAGNECRAFT W388X-7

REQ'D	ITEM	PART NUMBER	DESCRIPTION	SYM.
-------	------	-------------	-------------	------

LIST OF MATERIAL

THE TECHNICAL MATERIEL CORP.
 MAMARONECK, NEW YORK

RELAY DC

QTY / UNIT	MODEL USED ON	ASS'Y NO.
APPLICATION		
	CODE	

UNLESS OTHERWISE SPECIFIED DIMENSIONS ARE IN INCHES AND INCLUDE CHEMICALLY APPLIED OR PLATED FINISHES	FINAL APPROVAL	DATE
	MECH. DES.	DATE
	ELECT. DES.	DATE
	CHECKED	DATE
MATERIAL	DRAWN	DATE
	FINISH	

SIZE	CODE IDENT. NO.	DWG NO.	ISSUE
B	82679	RL 197	0
SCALE		SHEET	OF

NOTICE TO PERSONS RECEIVING THIS DRAWING
 THE TECHNICAL MATERIEL CORPORATION claims proprietary right in the material disclosed hereon. This drawing is issued in confidence for engineering information only and may not be reproduced or used to manufacture anything shown hereon without permission from THE TECHNICAL MATERIEL CORPORATION to the user. This drawing is loaned for mutual assistance and is subject to recall at any time.