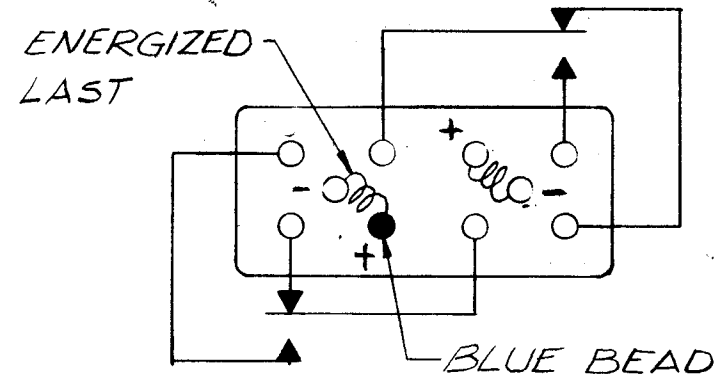


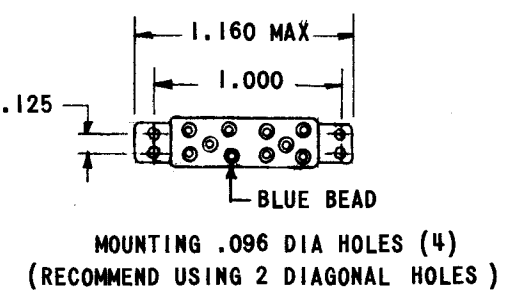
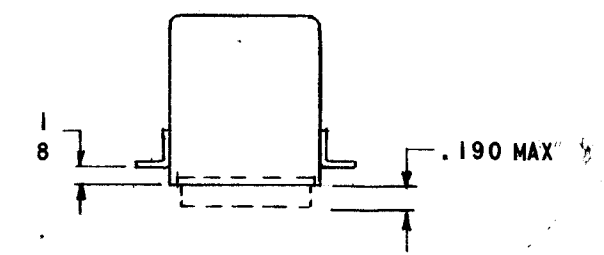
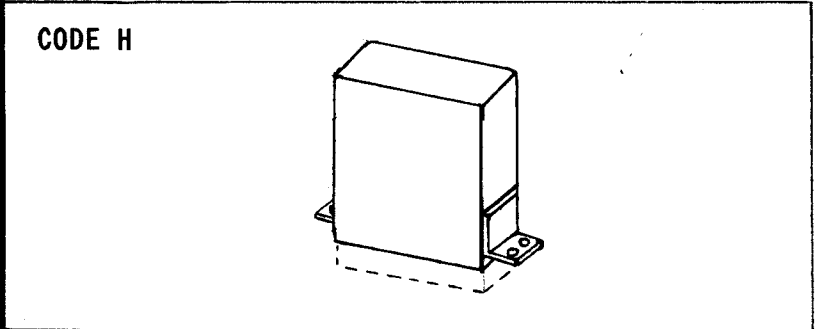
TMC P/N	MFR P/N	DC NOMINAL COIL DATA (EACH COIL)			MAX TRANSFER VOLTAGE		MTG CODE	TERMINAL TYPE
		VOLTS	AMPERES	OHMS*	At +25°C	At +125°C		
RL181-1	WJPB-HI-01D	12	.074	160	5.8	8.6	H	PLUG IN

REVISIONS						
ZONE	LTR	DESCRIPTION	DATE	E.M.N.NO	DRAFT	CHKD APPD
	X	EXPERIMENTAL RELEASE	6/23/68		C.V.	<i>JDe</i> <i>JD</i>
	Ø	ORIG. RELEASE FOR PROD	11/21/68	Ø	R.G.	<i>JDe</i> <i>JD</i>
	A	SCHEMATIC ADDED	5.8.69	19401	GE	<i>JDe</i> <i>JD</i>



SPECIFICATIONS

INITIAL CONTACT RES: 0.05 OHMS MAX
 CONTACT ARRANGEMENT: DPDT
 AMBIENT TEMPERATURE: -65°C TO +125°C
 INSULATION RES: (AT +25°C) 10,000 MEGOHMS MIN
 OPERATING TIME: (AT +125°C) 5.0 MILLISECONDS MAX AT NOMINAL COIL VOLTAGE
 ENCLOSURE: HERMETICALLY SEALED BY WELDING



RTTD-4		
QTY / UNIT	MODEL USED ON	ASS'Y NO.
	APPLICATION	
	CODE	S401-227

NOTICE TO PERSONS RECEIVING THIS DRAWING
 THE TECHNICAL MATERIEL CORPORATION claims proprietary right in the material disclosed hereon. This drawing is issued in confidence for engineering information only and may not be reproduced or used to manufacture anything shown hereon without permission from THE TECHNICAL MATERIEL CORPORATION to the user. This drawing is loaned for mutual assistance and is subject to recall at any time.

UNLESS OTHERWISE SPECIFIED DIMENSIONS ARE IN INCHES AND INCLUDE CHEMICALLY APPLIED OR PLATED FINISHES	
DECIMALS .X ± .05 .XX ± .01 .XXX ± .005	FRACTIONS 1/64 ANGLES 0°-30'
MATERIAL	
FINISH	

REQ'D	ITEM	PART NUMBER	DESCRIPTION	SYM.
S. DEMARCO LIST OF MATERIAL				
THE TECHNICAL MATERIEL CORP. MAMARONECK, NEW YORK				
RELAY, ARM., LATCHING				
SIZE	CODE IDENT. NO.	DWG NO.	ISSUE	
B	82679	RL 181	A	
SCALE			SHEET	OF