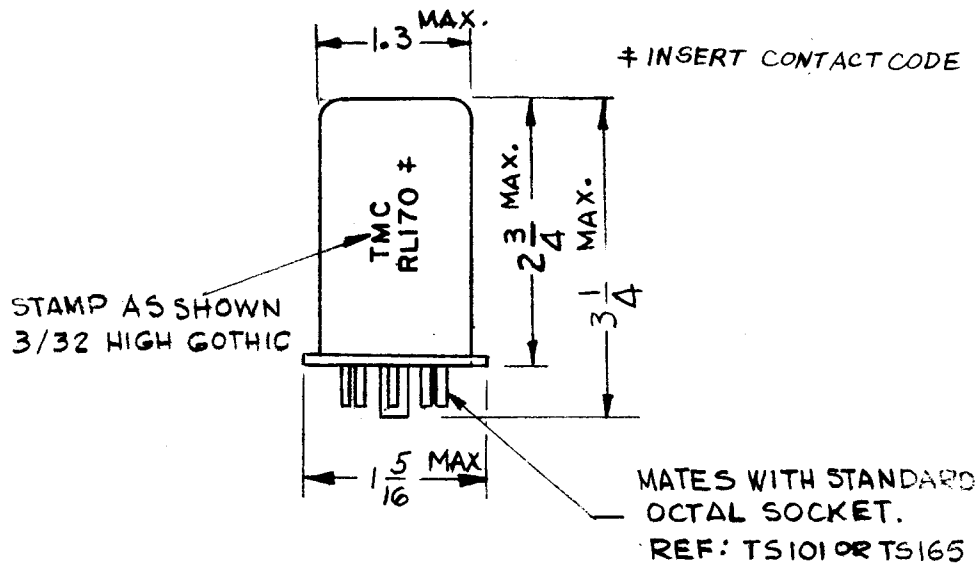


REQ. PER UNIT	USED ON			RL170	D
	MODEL	ASSY. NO.	DATE		
1	KMCU-1		3-12-65		

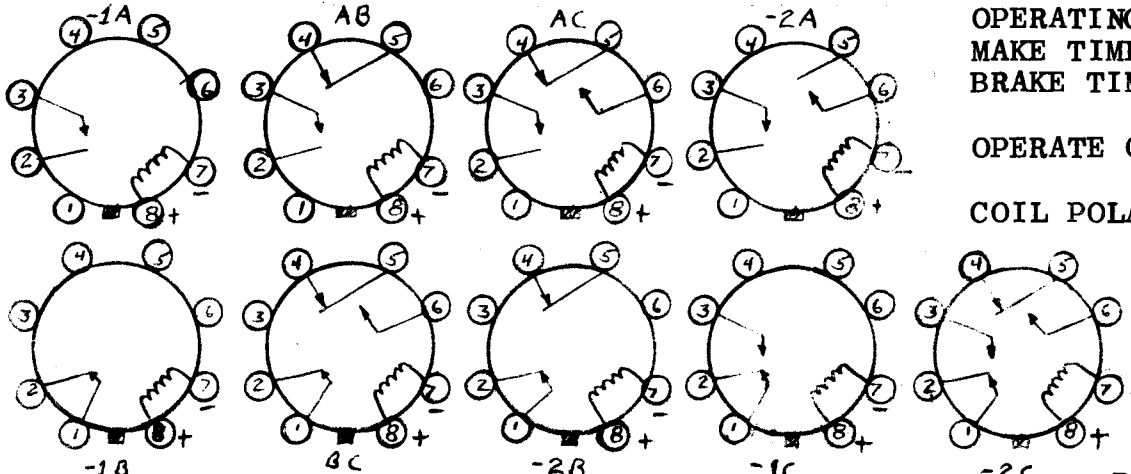


SPECIFICATIONS

CONTACTS:
 QUANTITY: SEE SCHEMATICS
 TYPE: SEE SCHEMATICS
 VOLTAGE RATING: 250VDC RESISTIVE
 CURRENT RATING: 50 MADC RESISTIVE

COIL:
 NOMINAL VOLTAGE: 24VDC
 MUST OPERATE VOLTAGE: 20VDC MAX
 MUST RELEASE VOLTAGE: 4.0VDC MIN (@25°C)
 RESISTANCE: 1200 Ω ±10% (@25°C)
 OPERATING TEMP. RANGE: -50 TO +85°C
 SHOCK: 50g
 VIBRATION: 20-2,000 cps AT 25g
 LIFE*: 1,000,000 OPERATIONS MIN
 OPERATING POSITION: ANY
 MAKE TIME (23.5VDC ON COIL): 2.5MS MAX
 BRAKE TIME (3.0VDC ON COIL): 5MS MAX INCLUDING BOUNCE
 OPERATE OR RELEASE DIFFERENTIAL: 1.0m SEC MAX (WITHIN THE SAME RELAY)
 COIL POLARIZATION: OPTONAL AS SHOWN

*Failure to operate, or a contact resistance of 2.0 ohms or greater is end of life.



TMC PART NUMBER SHALL BE IN THE FOLLOWING FORM:

RL170 AC
 BASIC P/N CONTACT TYPE & QUAN.

ALL CONTACTS SHOWN IN UNENERGIZED POSITION

D	1200 Ω WAS 1600 Ω	10-28-66	17107	MMB	JCP	2B	REQ. ITEM	PART NO.	DEWEY	DESCRIPTION	SYMBOL	
C	SPEC REV	3-30-66	16037	C.V.	JCP	2B				THE TECHNICAL MATERIEL CORP. MAMARONECK, NEW YORK RELAY, DRY REED		
B	REVISED COMPLETELY WITH CHANGES	7/27/65	14463	H.V.V.	JCP	MMB		STOCK SIZE				
A	COMPLETELY REVISED	5-14-65	14061	QWL	JCP	2B						
e	ORIGINAL RELEASE FOR PRODUCTION	3-16-65		P.L.								
SYM	DESCRIPTION	DATE	CH. NO.	DRAFTS	CHECKER	ENG. APP.						
UNLESS OTHERWISE SPECIFIED DIMENSIONS ARE IN INCHES AND INCLUDE CHEMICALLY APPLIED OR PLATED FINISHES		SCALE		DO NOT SCALE								
DECIMALS .X ± .05 .XX ± .01 .XXX ± .005	TOLERANCES	FRACTIONS ± 1/64 ANGLES ± 0° 30'	CODE	A S401-370								
							TYPE & TEMPER	HEAT TREAT. SPEC.	DRAWN	CHECKED	FINAL APPROVAL	
									G.D.L. 3-12-65	JCP	RAL	
									FRO 3-12-65		RL170 D	
							FINISH & SPEC. NO.		ELEC. DES. APP.	MECH. DES. APP.		