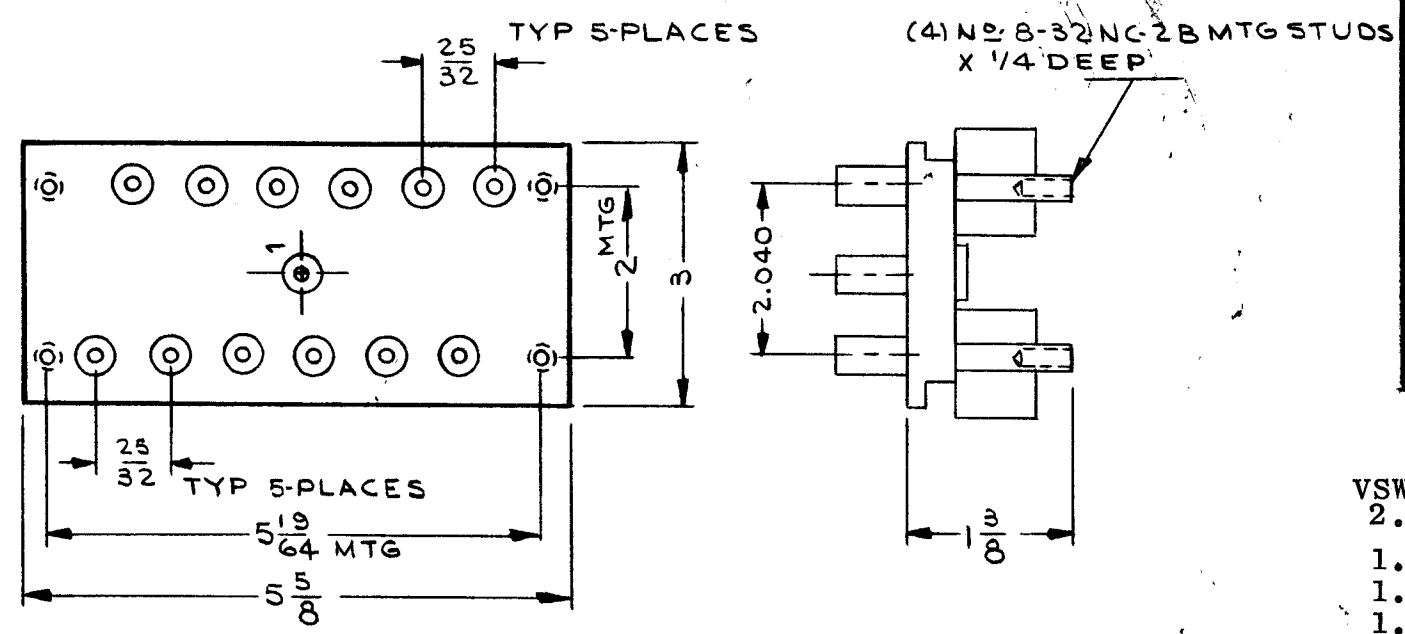


# STANDARD DRAWING

TMC PART NO.	MFG PART NO.	CONN.	POWER WATTS	COIL VOLTS	COIL RESISTANCE OHMS	CIRCUIT	CURVE
RL-169-1	326-011507-3	BNC	100	26V-DC	280	1	1

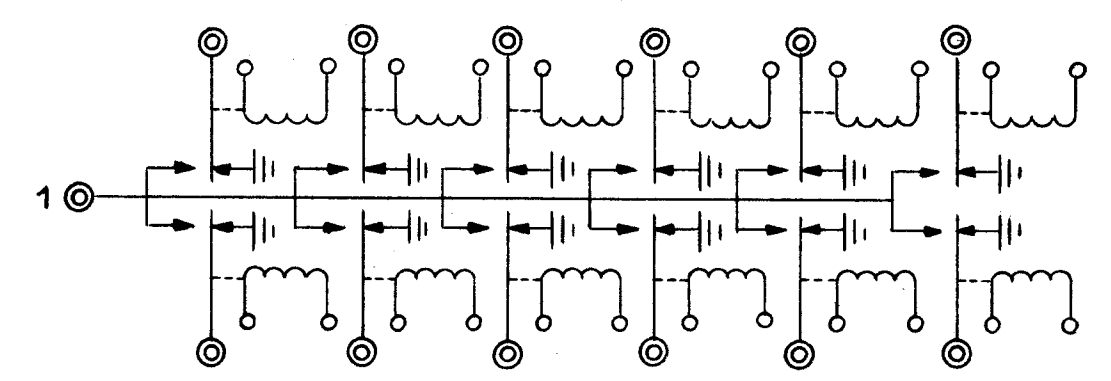
REVISIONS						
SYM	DESCRIPTION	DATE	E.M.N. NO.	DRAFT	CHKD	APPD
Ø	ORIGINAL RELEASE FOR PROD.	5/17/66	Ø	CV.		<i>JL</i>

RL169

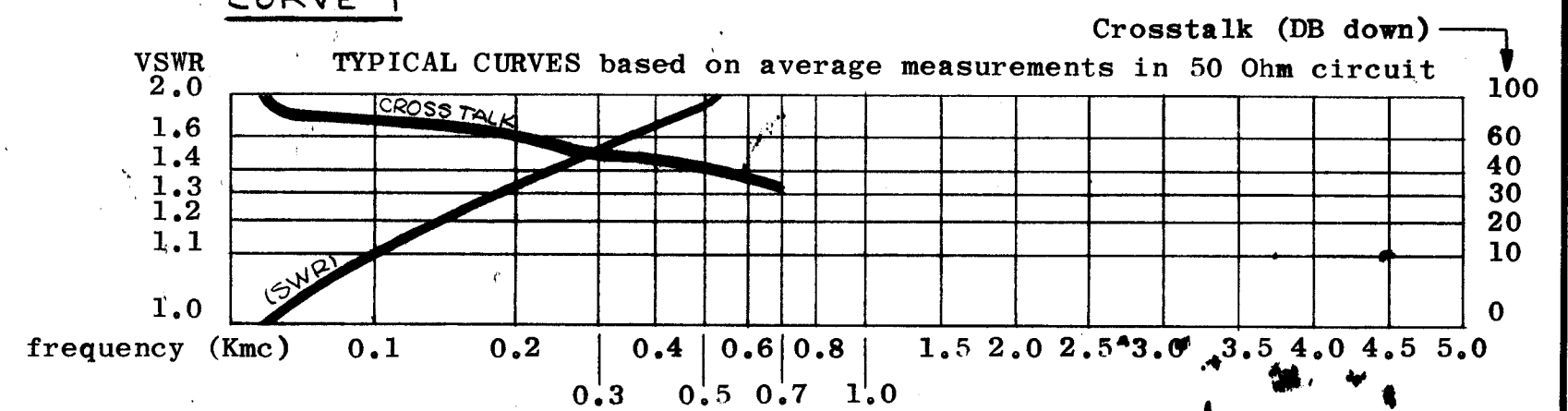


### CIRCUIT-1

1- INPUT 12-OUTPUTS



### CURVE-1



### NOTES

RCSA-1	
Q'TY./UNIT	MODEL USED ON
//	S401-71
SCALE	
//	
CODE	
S401-71	
ASS'Y. NO.	
S401-71	
THE CONTENTS OF THIS DRAWING ARE THE EXCLUSIVE PROPERTY OF THE TECHNICAL MATERIEL CORP. ITS UNAUTHORIZED USE OR REPRODUCTION IN WHOLE OR IN PART IS STRICTLY FORBIDDEN.	

REQ'D.	ITEM	PART NUMBER	DESCRIPTION	SYMBOL
<b>LIST OF MATERIAL</b>				
MATERIAL		<b>THE TECHNICAL MATERIEL CORP.</b>		
//		MAMARONECK, NEW YORK		
FINISH		TITLE		
//		RELAY, ARMATURE, COAXIAL SWITCH		
UNLESS OTHERWISE SPECIFIED DIMENSIONS ARE IN INCHES AND INCLUDE CHEMICALLY APPLIED OR PLATED FINISHES		DRAWN J. LESHINSKI CHECKED <i>JL</i>	DATE 3/24/66 DATE 3/30/66 DATE 5/17/66	FINAL APPROVAL <i>[Signature]</i> DATE 5/16/66
DECIMALS .X ± .05 .XX ± .01 .XXX ± .005	TOLERANCES	FRACTIONS ± 1/64 ANGLES ± 0° 30'	<b>RL169</b>	
MECH. DES. <i>JL</i>		SHEET		
REV. LTR.		REV. LTR.		