

TMC PART NO.	MFG PART NO.	COIL DATA			CONTACT CURRENT	
		VOLTAGE	RESISTANCE	NOMINAL POWER	ARRANGEMENT	RATING INDUCTIVE
RL162-1	CAD14D10	24	475	1.2W	3PDT	10 AMP

RL162

REVISIONS						
SYM	DESCRIPTION	DATE	E.M.N. NO.	DRAFT	CHKD	APPD
X	EXP. RELEASE	2-24-65	X	SRG		
Ø	ORIGINAL RELEASE FOR PRODUCTION	2/25/65		SRG	J. M.	

SPECIFICATIONS

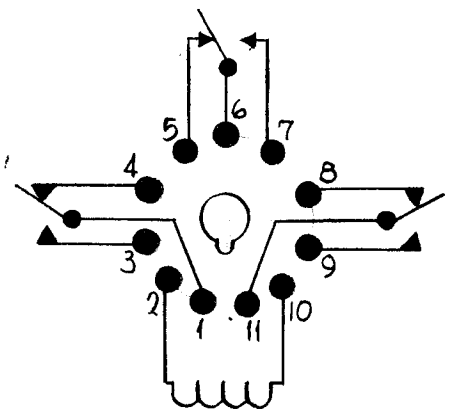
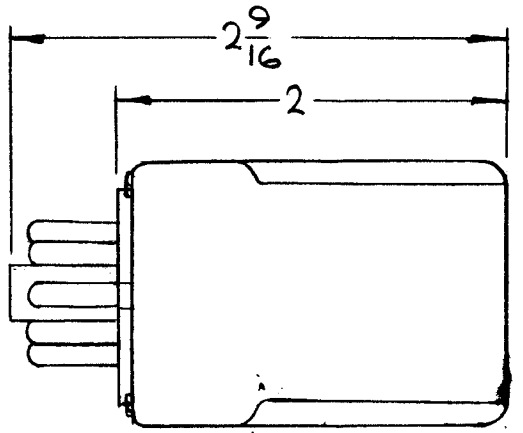
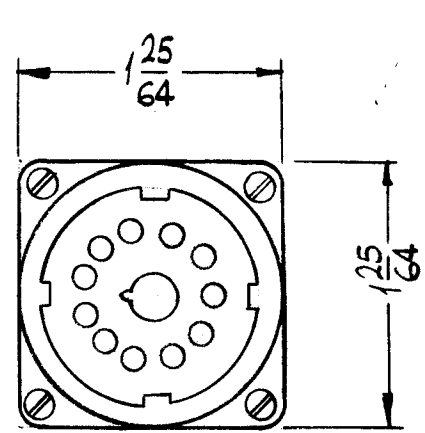
CONTACT DATA:
 ARRANGEMENT: 3 FORM C BREAK THROUGH
 ELEC. RATING: 10 AMP INDUCTIVE

COIL DATA:
 TYPE OF CURRENT: DC
 OPER. VOLTAGE: 24V
 OPER. CURRENT: .05 AMP NOM.

TERMINAL DATA:
 QUAN: 11 PIN PLUG

OPERATING TIME: .010 SEC.
 RELEASE TIME: .008 SEC.
 OPER. TEMP. RANGE: 45°C MAX.

CONSTRUCTION DATA:
 MATERIAL & FINISH: TRANSPARENT PLASTIC



SCHEMATIC DIAGRAM

NOTES

2	RTTD-1	A3704
Q'TY./UNIT	MODEL USED ON	ASS'Y. NO.
SCALE 1:1	CODE C	SCHRACK ELECT.

THE CONTENTS OF THIS DRAWING ARE THE EXCLUSIVE PROPERTY OF THE TECHNICAL MATERIEL CORP. ITS UNAUTHORIZED USE OR REPRODUCTION IN WHOLE OR IN PART IS STRICTLY FORBIDDEN.

REQ'D.	ITEM	PART NUMBER	DESCRIPTION	SYMBOL
--------	------	-------------	-------------	--------

LIST OF MATERIAL

MATERIAL	SEE SPECS	THE TECHNICAL MATERIEL CORP. MAMARONECK, NEW YORK			
FINISH	SEE SPECS	TITLE RELAY, POWER			
UNLESS OTHERWISE SPECIFIED DIMENSIONS ARE IN INCHES AND INCLUDE CHEMICALLY APPLIED OR PLATED FINISHES		DRAWN	DATE	FINAL APPROVAL	DATE
		SRG	2-24-65	[Signature]	
DECIMALS .X ± .05 .XX ± .01 .XXX ± .005		CHECKED	DATE	RL162	
		[Signature]	2/25/65		
FRACTIONS ± 1/64 ANGLES ± 0° 30'		ELECT. DES.	DATE	SHEET	
		[Signature]	2/25/65		
TOLERANCES		MECH. DES.	DATE	REV. LTR.	