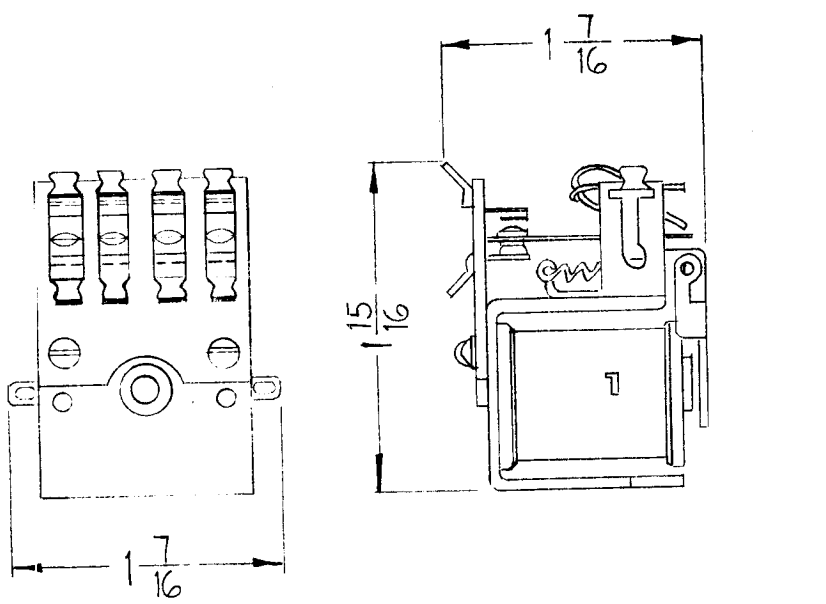


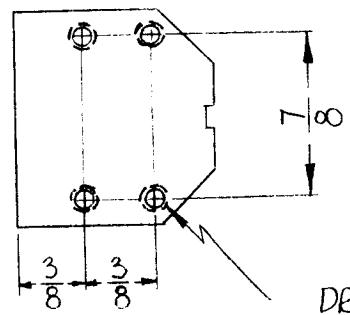
REQ. PER UNIT	USED ON		
	MODEL	ASSY. NO.	DATE
1	GPT-200K	AR-144	1-10-64
1	GPT-200K	AR-153	1-10-64

RL-159 A



~ ELECTRICAL SPECIFICATION ~

COIL ~ 60Ω
 PILE UP ~ 4 FORM C (4 P.D.T.)
 CONTACTS ~ 3/16" SILVER CAD OXIDE
 RATED 10A. 125 VAC RESISTIVE.
 ADJUSTMENT ~ OPERATE .110 AMPERES
 NON OPERATE .090 AMPERES
 NOMINAL - .200 AMPERES



DRILL & TAP 6-32
 4 HOLES

STANDARD DRAWING

REQ.	ITEM	PART NO.	F. BUDETTI			DESCRIPTION	SYMBOL
<p>THE TECHNICAL MATERIEL CORP. MAMARONECK, NEW YORK</p>							
A	6-32 TAPPED HOLES WERE CLEARANCE HOLES	4/15/66	16067	Jc	<i>[Signature]</i>	RELAY, ARMATURE	
0	ORIGINAL RELEASE FOR PROD.	4-24-64		SRG			
SYM	DESCRIPTION	DATE	CH. NO.	DRAFTS	CHECKER	ENG. APP.	
UNLESS OTHERWISE SPECIFIED DIMENSIONS ARE IN INCHES AND INCLUDE CHEMICALLY APPLIED OR PLATED FINISHES		SCALE					
DECIMALS .X ± .05 .XX ± .01 .XXX ± .005		FRACTIONS ± 1/64 ANGLES ± 0° 30'		CODE		TOLERANCES	
		C		S401-3 (57QA2H1)			
TYPE & TEMPER		HEAT TREAT. SPEC.		DRAWN		CHECKED	
				W.A. FRANCO		<i>[Signature]</i>	
FINISH & SPEC. NO.				ELEC. DES. APP.		MECH. DES. APP.	
				<i>[Signature]</i>		<i>[Signature]</i>	
RL-159							A