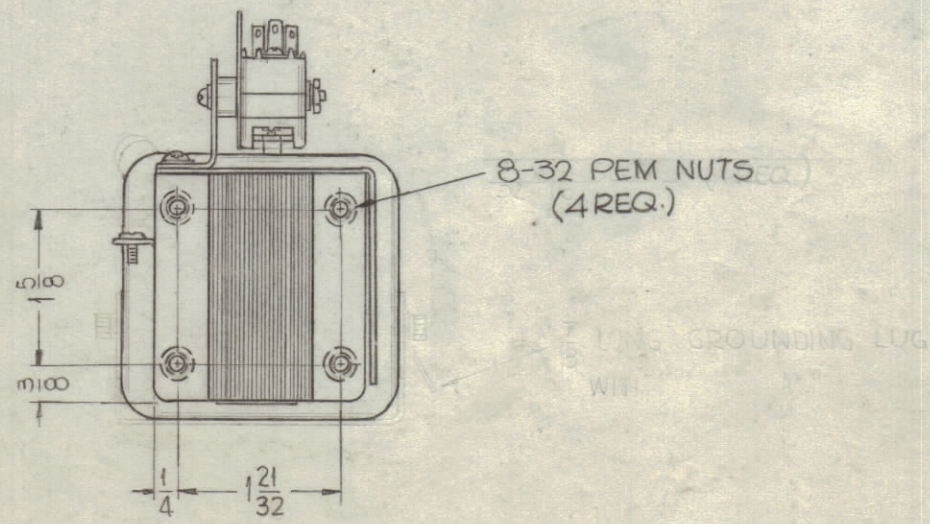
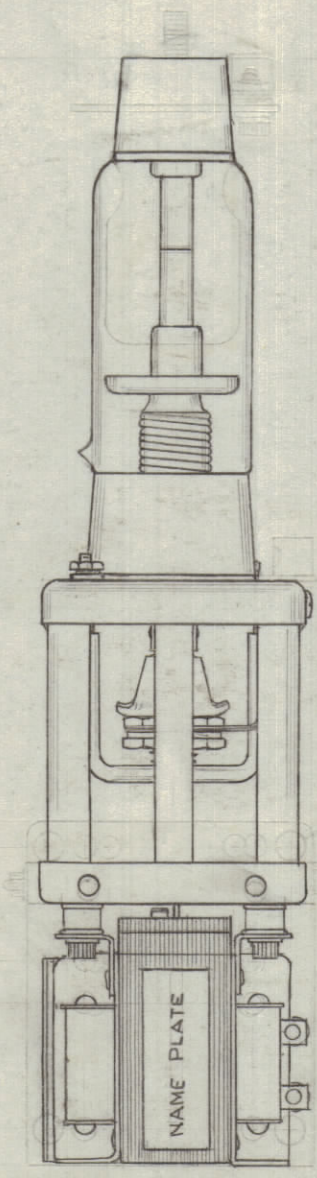
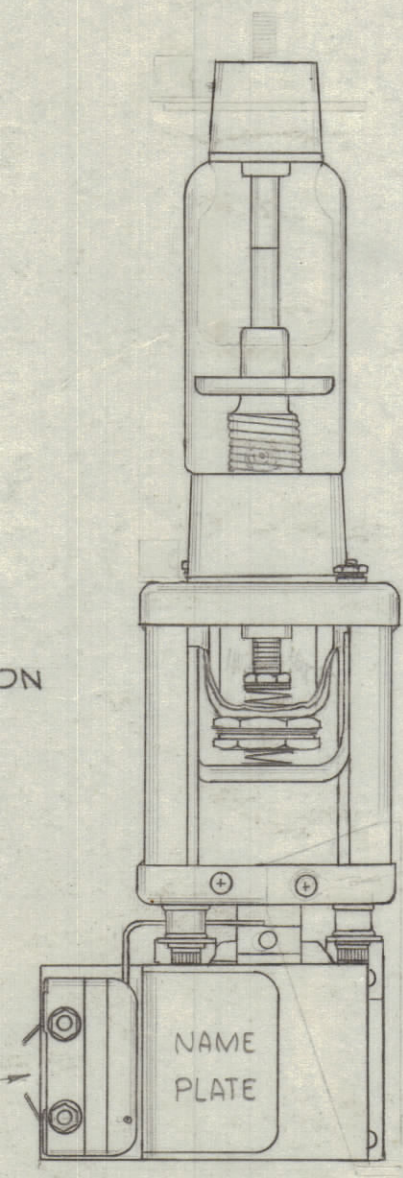
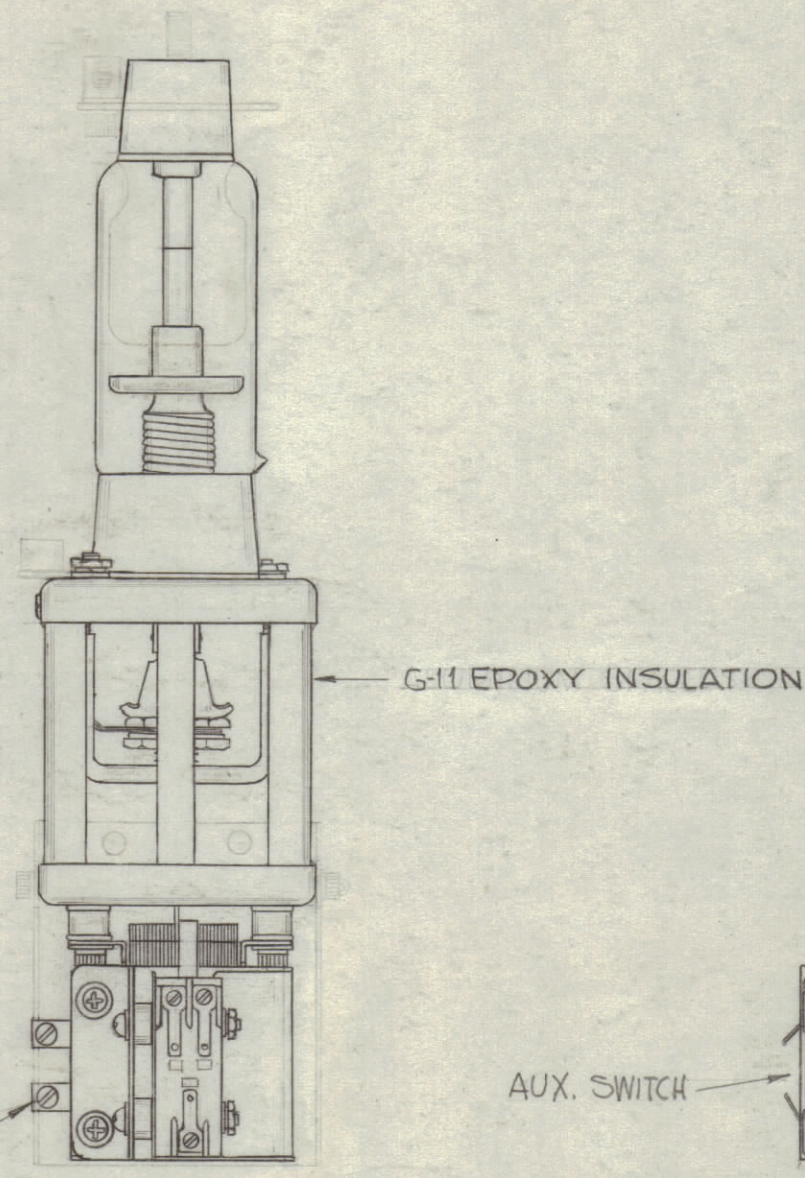
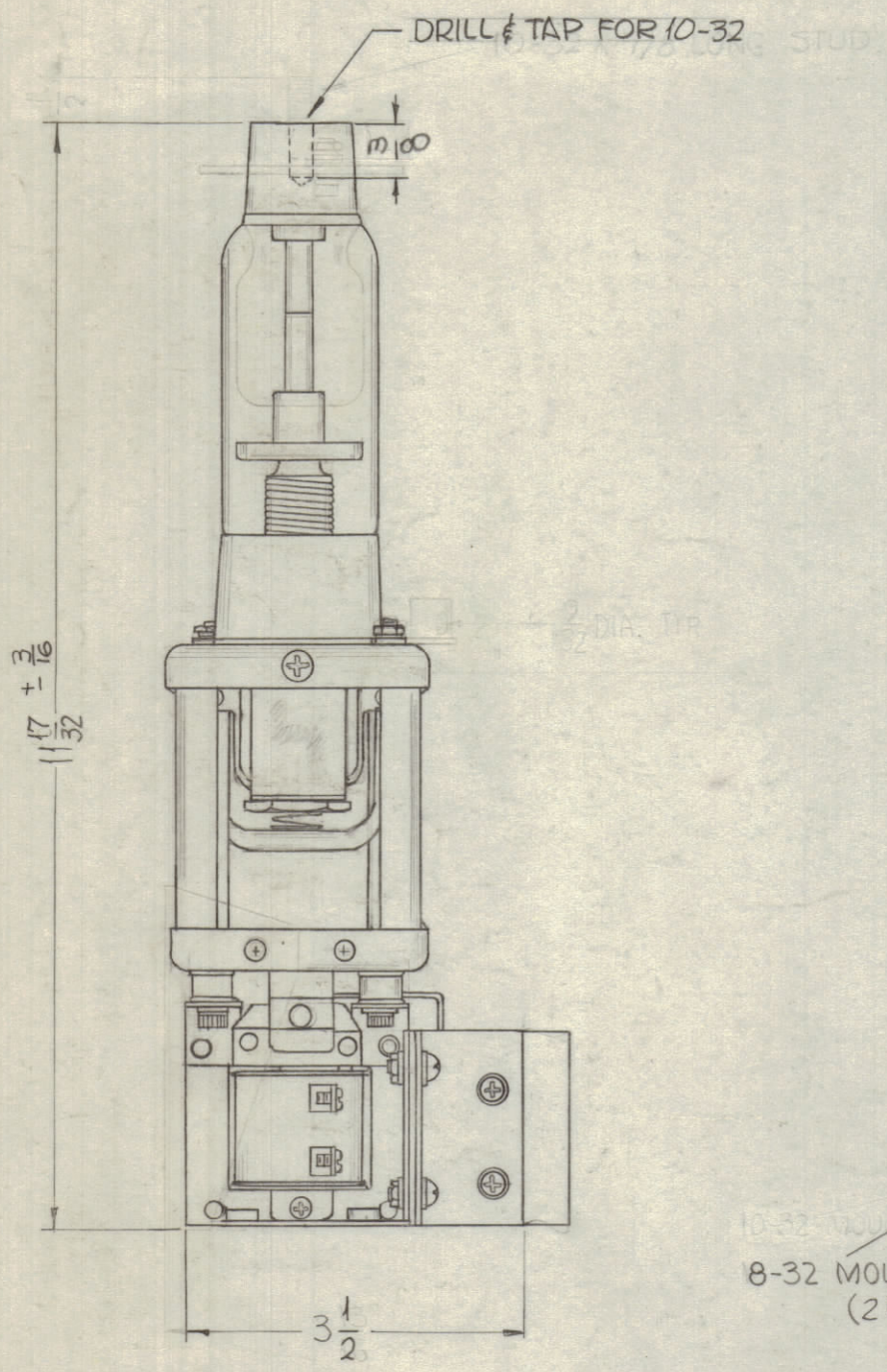
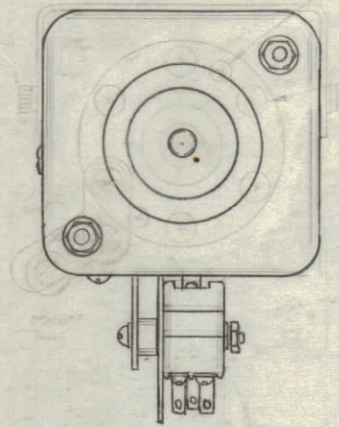


REVISIONS						
ZONE	SYM	DESCRIPTION	DATE	E.M.N. NO.	DRAFT	CHKD
	O	ORIGINAL RELEASE FOR PRODUCTION	3-3-64			
	A	DIM. 3/8 WAS 1/2, R1B4252A22A10 WAS R1A202A22A10	12/9/65	15407		



— SPECIFICATIONS —

SWITCH TYPE ~ R1B

PEAK TEST VOLTAGE ~ 50KV

RMS AMPS ~ 100

INSUL PK TEST VOLT ~ 25KV

SOLENOID VOLTAGE ~ 230 AC

MODEL & ACCESS ~ R1B4252A22A10

AUXILIARY SWITCH:

SPDT

230 V

15 AMP.

DL 154
A

REQ'D.	ITEM	PART NUMBER	DESCRIPTION	SYMBOL
LIST OF MATERIAL				
MATERIAL		THE TECHNICAL MATERIEL CORP. MAMARONECK, NEW YORK		
FINISH		TITLE RELAY, SHORTING		
UNLESS OTHERWISE SPECIFIED DIMENSIONS ARE IN INCHES AND INCLUDE CHEMICALLY APPLIED OR PLATED FINISHES		DRAWN <i>Sanfilippo</i>	DATE 10-10-62	FINAL APPROVAL <i>RDC</i>
DECIMALS .X ± .05 .XX ± .01 .XXX ± .005		CHECKED <i>RDC</i>	DATE 3/3/64	DATE 3/11/64
FRACTIONS ± 1/32 ANGLES ± 0° 30'		ELECT. DES. <i>aa</i>	DATE 3/11/64	DATE 3/11/64
TOLERANCES		MECH. DES. <i>aa</i>	DATE 3/11/64	DATE 3/11/64
			SHEET DL 154	REV. LTR. A

1	GPT-200K (AX 395)	A 3478
Q'TY./UNIT	MODEL USED ON	ASS'Y. NO.
SCALE	CODE	S401-48

NOTES

THE CONTENTS OF THIS DRAWING ARE THE EXCLUSIVE PROPERTY OF THE TECHNICAL MATERIEL CORP. ITS UNAUTHORIZED USE OR REPRODUCTION IN WHOLE OR IN PART IS STRICTLY FORBIDDEN.