

STANDARD DRAWING

THE CONTENTS OF THIS DRAWING ARE THE EXCLUSIVE PROPERTY OF THE TECHNICAL MATERIEL CORP. ITS UNAUTHORIZED USE FOR REPRODUCTION IN WHOLE OR IN PART IS STRICTLY FORBIDDEN.

REQ. PER UNIT	USED ON		
	MODEL	ASS'Y. NO.	DATE
1	GPT-200K	AP-108	2-27-63
2	GPT-200K	AX-392	2-12-64

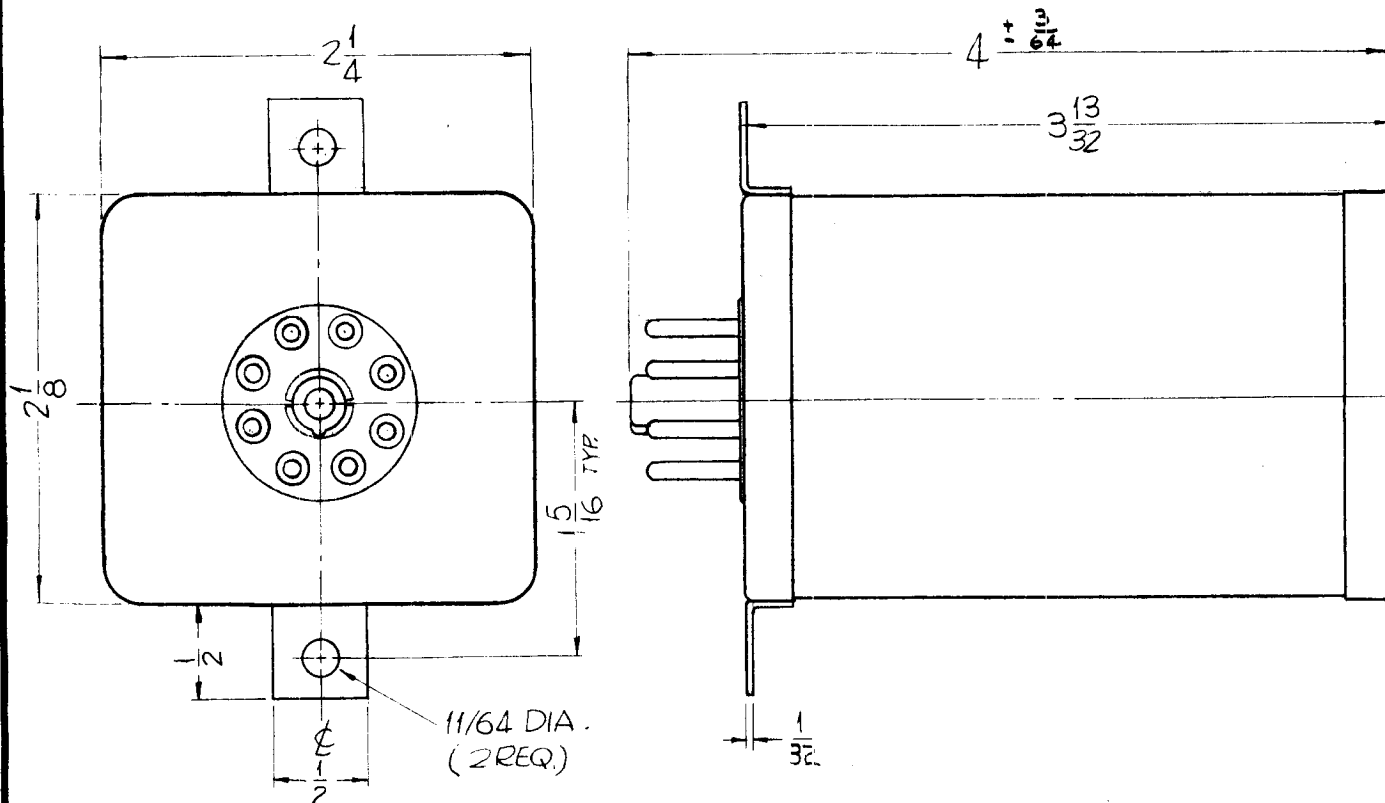
RL-153

A

SPECIFICATIONS:

OPERATION:
 PULL IN VOLTAGE 180VAC.
 MAX. OPER. 250VAC.
 DUTY: CONTINUOUS
 CONTACTS:
 DPDT ARRANGEMENT.
 RATED AT 15 AMPS.
 DIELECTRIC STRENGTH:
 1000VRMS

SPECIAL FEATURES:
 8 PIN PLUG (CONTACT ARRANGEMENT AS SHOWN)
 PLUS MTG BRKTS AS SHOWN.

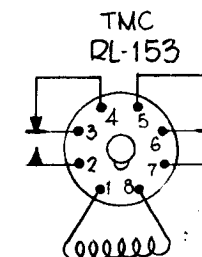


NOTE:

1~NC FINISH ON MOUNTING BRACKETS.
 2~S-197-BLACK MATTE FINISH.

NOTE TO MFG:

ANY REF. BY MFG. STAMPED ON CAN WILL BE CAUSE FOR REJECTION



SCHEMATIC (STAMP IN WHITE)

REQ.	ITEM	PART NO.	DESCRIPTION				SYMBOL
<p>THE TECHNICAL MATERIEL CORP. MAMARONECK, NEW YORK</p>							
A			<p>ADDED $\pm 3/64$ TO 4", CHG'D $1/16$ TO $1/32$. ADDED S401 REF ORIGINAL RELEASE FOR PRODUCTION</p>				
			7.26.66	16637	RME	JCB	
			3-3-64		A.M.		
SYM	DESCRIPTION	DATE	CH. NO.	DRAFTS	CHECKER	ENG. APP.	
UNLESS OTHERWISE SPECIFIED DIMENSIONS ARE IN INCHES AND INCLUDE CHEMICALLY APPLIED OR PLATED FINISHES		SCALE S 401-227 (POH RX-71)					
DECIMALS .X \pm .05 .XX \pm .01 .XXX \pm .005		FRACTIONS $\pm 1/64$ ANGLES $\pm 0^\circ 30'$		CODE C			
TOLERANCES							
SEE NOTE		FINISH & SPEC. NO.		ELEC. DES. APP.		MECH. DES. APP.	
SRG		JCB		RAC		RL-153 A	