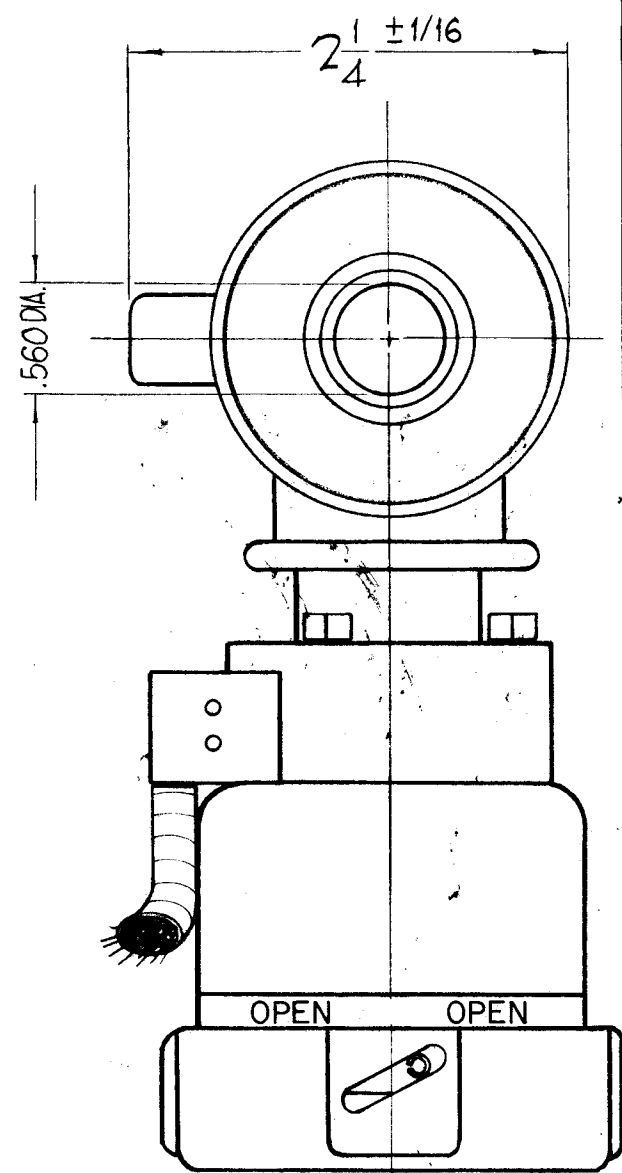
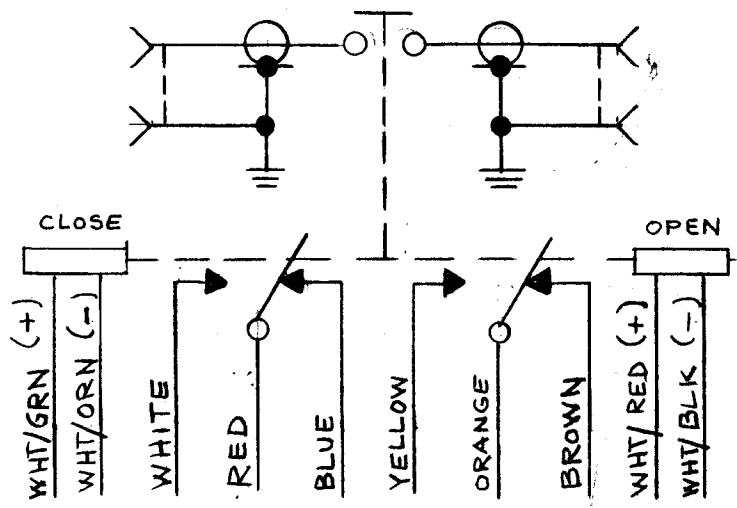


B
DL-150



SHOWN IN OPEN POSITION



NOTES

2	GPT40KEL	
Q'TY./UNIT	MODEL USED ON	ASS'Y. NO.
SCALE	CODE	5401-48 (RC-5)

THE CONTENTS OF THIS DRAWING ARE THE EXCLUSIVE PROPERTY OF THE TECHNICAL MATERIEL CORP. ITS UNAUTHORIZED USE OR REPRODUCTION IN WHOLE OR IN PART IS STRICTLY FORBIDDEN.

REVISIONS					
SYM	DESCRIPTION	DATE	E.M.N. NO.	DRAFT	CHKD APPD
O	ORIGINAL RELEASE FOR PRODUCTION	5-27-64	O	A.M.	
A	COMPLETELY REVISED	10/30/67	18577	HE	FB
B	CHG OPEN POS. & DIM 4 13/32 WAS 4 1/4	5-4-70	19846	GE	

SPECIFICATIONS

ELECTRICAL CHARACTERISTICS:

- COAXIAL VACUUM SWITCH: TYPICAL VALUES
- CONTACT CONFIGURATION: SPST
- FREQUENCY RANGE: 0-100 MHz
- CHARACTERISTIC IMPEDANCE: 50 OHMS
- VSWR: 1.02 TO 1 MAX @ 30 MHz
1.05 TO 1 MAX @ 60 MHz
- CROSSTALK: GREATER THAN 60 dB ISOLATION AT 30 MHz
- TRANSFER TIME: 30 MILLISECONDS MAX.
- INSERTION LOSS: .02 dB MAX
- POWER RATING: 25 kW CW @ 30 MHz (1:1 VSWR)
- AUXILIARY CONTACTS: DPDT
115/230 VAC 60 Hz 7 AMP RESISTIVE
28 VDC 7 AMP RESISTIVE
4 AMP INDUCTIVE

ACTUATOR CHARACTERISTICS:

- INTERMITTENT DUTY LATCHING TYPE ELECTRICAL/MANUAL
- VOLTAGE: 26.5 VDC
- OPENING COIL RESISTANCE: 20.3 OHMS
- CLOSING COIL RESISTANCE: 18.7 OHMS

REQ'D.	ITEM	PART NUMBER	DESCRIPTION	SYMBOL
F. BUDETTI LIST OF MATERIAL				
MATERIAL			THE TECHNICAL MATERIEL CORP. MAMARONECK, NEW YORK	
FINISH			TITLE RELAY, VACUUM COAXIAL 1 5/8	
UNLESS OTHERWISE SPECIFIED DIMENSIONS ARE IN INCHES AND INCLUDE CHEMICALLY APPLIED OR PLATED FINISHES			DRAWN John C. Biele CHECKED ELECT. DES. [Signature] MECH. DES. [Signature]	DATE 1-5-63 DATE 5/21/67 DATE 3/8/64
DECIMALS .X ± .05 .XX ± .01 .XXX ± .005			FINAL APPROVAL [Signature] DATE SHEET DL-150 REV. LTR. B	