

STANDARD DRAWING

SPECIFICATIONS

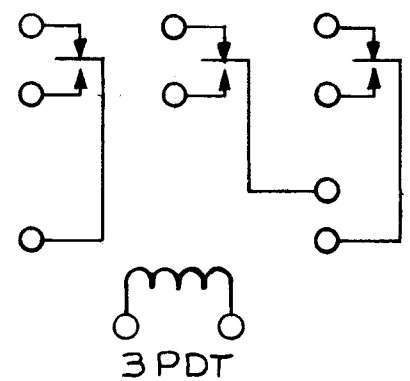
1. CONTACT DATA
 - A. ARRANGEMENT: SEE CHART
 - B. RATINGS:
 - (1) AC: 10 AMPS NON-INDUCTIVE AT 115V*
 - (2) DC: NOT RATED
 - C. MATERIAL: SILVER-CADMIUM OXIDE, GOLD PLATED (-10 AMPS)
 - D. RESISTANCE: NOT RATED
2. COIL DATA
 - A. NO. OF WINDINGS: 1
 - B. TYPE: NON-INDUCTIVE
 - C. COIL OPER. SPECS:
 - (1) TYPE OF CURRENT: SEE CHART
 - (2) DC RESISTANCE: SEE CHART
 - (3) OPER. VOLT: SEE CHART
 - (4) OPER. CURRENT: SEE CHART
 - (5) POLARIZATION: NONE
 - (6) PULL IN: APPROX. 85% OF RATED VOLTAGE (MIN)
 - D. LATCHING FEATURE: NONE
3. TERMINAL DATA:
 - A. QUAN.: SEE CHART
 - B. TYPE: SOLDER LUG
4. ACTUATION TIME: SEE CHART
5. OPER. TEMP. RANGE: 0°C TO +85°C
6. DUTY TYPE: CONTINUOUS
7. CONSTRUCTION:
 - A. CASE: NONE
 - B. SEALING: NONE
 - C. ARC QUENCHING: NONE
 - D. O/A DIM: SEE PICTORIAL
 - E. INSULATION: BLACK BAKELITE
 - F. INSULATION BREAKDOWN: 1500V, 60 CPS
 - G. FINISH: ALL FERROUS PARTS NICKEL-PLATED OR CADMIUM PLATED WITH CLEAR IRIDITE.
8. MOUNTING DATA: SEE PICTORIAL
9. WIRING: SEE PICTORIAL
10. NARM REFERENCE #1.3.4.3.2

RL144

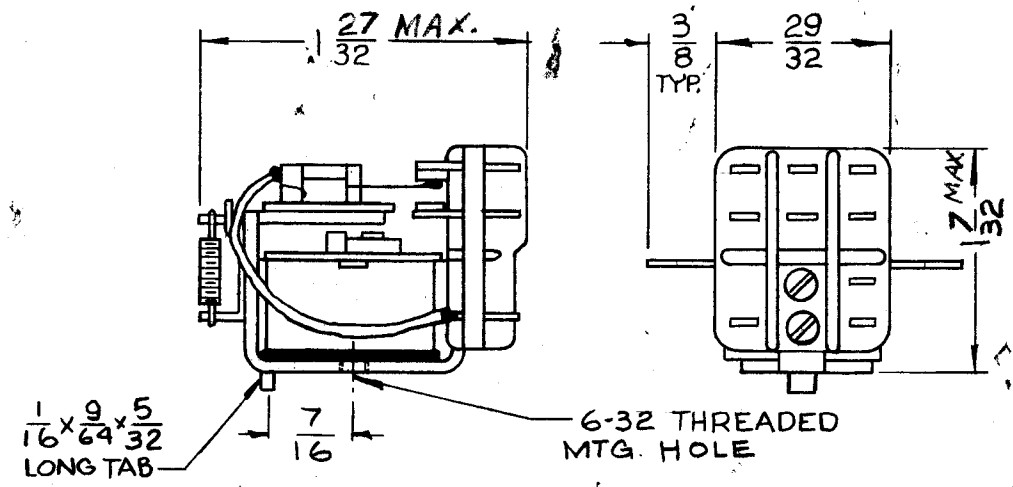
REVISIONS						
SYM	DESCRIPTION	DATE	E.M.N. NO.	DRAFT	CHKD	APPD
A	REDRAWN & REVISED, RL-144-1 WAS RL-144 SIZE 1	7-29-63	9612	AK	JNY	WJE
B	CONT. RATING COL. DELE. 127/32 MAX WAS 125/32. 12/32 MAX WAS 15/32. *NOTE: SPECS 18" 10 AMP 3.5 TO 20" OR CADMIUM E NO. 10 ADDED	11/6/65	15104	F.V.	JOS	R

TIME PART NO.	MFRS. PART NO.	WIRING DIAGRAM TYPE & CONTACT ARRANG.	QUAN. OF TERM. (TOTAL)	COIL DATA				ACTUATION TIME	
				DC RES. IN OHMS ± 10%	OPER. VOLT.	OPER. CURR. REF.	NOM. PWR	OPER.	RELEASE
RL 144-1	REB-3C-6VAC	3PDT	11	2.8	6 VAC	650 MA	3.9VA	NOT RATED	NOT RATED
RL 144-2	REB-3C-12VDC	3PDT	11	120	12 VDC	400 MA	1.2W	NOT RATED	NOT RATED

*NOTE: FOR 5 AMP CONTACTS SEE RL116.



WIRING DIAGRAM (UNENERGIZED)
VIEWED FROM TERMINAL END



1(-2)	TTR-10	
2(-1)	HFP-1	A-2382-1
Q'TY./UNIT	MODEL USED ON	ASS'Y. NO.
NONE	S401-166	

THE CONTENTS OF THIS DRAWING ARE THE EXCLUSIVE PROPERTY OF THE TECHNICAL MATERIEL CORP. ITS UNAUTHORIZED USE OR REPRODUCTION IN WHOLE OR IN PART IS STRICTLY FORBIDDEN.

REQ'D.	ITEM	PART NUMBER	DESCRIPTION	SYMBOL
LIST OF MATERIAL				
MATERIAL		THE TECHNICAL MATERIEL CORP. MAMARONECK, NEW YORK		
FINISH		RELAY, ARMATURE		
UNLESS OTHERWISE SPECIFIED DIMENSIONS ARE IN INCHES AND INCLUDE CHEMICALLY APPLIED OR PLATED FINISHES		DRAWN <i>AK</i>	DATE 7-29-63	FINAL APPROVAL <i>[Signature]</i>
DECIMALS .X ± .05 .XX ± .01 .XXX ± .005		CHECKED <i>JNY</i>	DATE 8-1-63	DATE
FRACTIONS ± 1/64 ANGLES ± 0° 30'		ELECT. DES.	DATE	DATE
TOLERANCES		MECH. DES.	DATE	DATE
RL 144				B
SHEET				REV. LTR.

NOTES