

STANDARD DRAWING

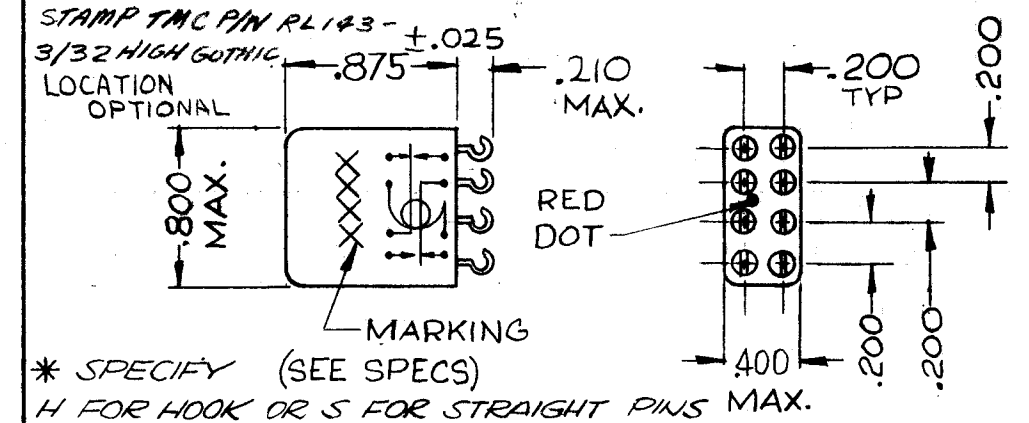
TMC P/N	MFR. NO.	CASE STYLE (SEE PICT.)	COIL SPECIFICATIONS				
			RESISTANCE (DC)	NOM. VOLTS (DC)	MIN. OPER. AMPS (APPROX)	MUST OPER. VOLTS @25°C	MUST RELEASE VOLTS @25°C
RL143-1	30-01M	01	9100	110	.0056	58.0	11.0
RL143-2	30-01H	01	1825	45.6	.012	24.0	4.8
RL143-3	30-02D	02	200	12.6	.034	7.2	1.4
RL143-4	30-02J	02	2450	48.0	.010	26.5	5.3
RL143-5	30-02AA-E	02	975	29.2	-	23.0	5.0
RL143-6	30-02G	02	675	26.5	.019	13.5	2.6

REVISIONS						
SYM	DESCRIPTION	DATE	E.M.N. NO.	DRAFT	CHKD	APPD
B	REDRAWN WITH EXTENSIVE REVISION	7-15-63	9542	A.K.	A.P.	V.H.
C	RL-143-4 ADDED TO P/N CHART	8-10-64	12078	W.B.	A.P.	V.H.
D	TMC P/N CHART: RL-143-5, & -6 ADD; PICT. NOTE #1 ADD.	2-11-65	13386	W.B.	A.P.	V.H.
E	TMC STAMP NOTE ADDED	12/21/65	15071	A.V.V.	A.P.	V.H.
F	DIMENSIONS REVISED	5-9-66	16223	W.W.	A.P.	V.H.
G	ADDED LOCATION OPTIONAL TO PICT., ADDED "APPROX" TO MIN. OPER. AMPS, "MUST OPER. VOLTS WAS 54.0, CONTACT RESIS. WAS 0.030, OPER. TIME WAS 5."	7-26-66	16635	R.M.E.	A.P.	V.H.
H	ADD NOTE ON BASIC CASE FOR STRAIGHT PINS	6/15/71	20387	G.E.	A.P.	V.H.

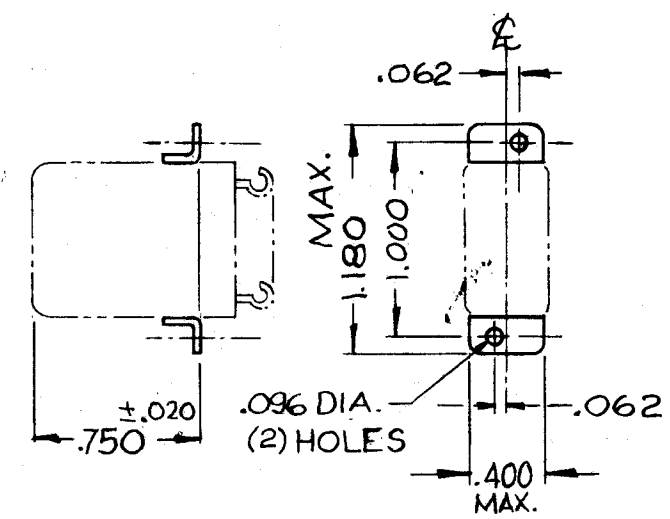
SPECIFICATIONS

STYLE: NA SOLDER HEADER WITH MTG. BRACKETS AS SHOWN
 SIZE: SEE PICTORIAL
 ENCLOSURE: HERMETICALLY SEALED; BACK FILLED WITH DRY NITROGEN
 CONTACTS: DPDT (2 FORM C)
 CONTACT RESISTANCE: 0.050 OHM MAX. PER CONTACT
 CONTACT RATING: 3 AMPS, 26.5 VOLTS DC.
 TEMP. RANGE: -65° C TO 125° C
 STANDARD CAN FINISH: ELECTRO-FUSED SOLDER.
 * TERMINALS: SOLDER HOOK, OR STRAIGHT PINS
 MOUNTING: SEE PICTORIAL
 WIRING: AS VIEWED FROM TERMINAL END. (SEE DIAGRAM)
 DIELECTRIC STRENGTH: (SEA LEVEL) 1000 VOLTS RMS BETWEEN TERMINAL AND CASE, 500 V RMS BETWEEN OPEN CONTACTS.
 INSULATION RESISTANCE: 1000 MEGOHMS AT 125° C.
 COIL POWER: NOM.-OPERATING-250 MILLIWATTS
 COIL DISSIPATION: 1 WATT AT 125° C. 1.5 WATTS AT 25° C.
 OPER. TIME:
 OPERATE: 3.5 MILLISEC. NOM., 6 MILLISEC. MAX.
 RELEASE: 1.5 MILLISEC. NOM., 6 MILLISEC. MAX.
 MARKING: CASE WILL BE MARKED WITH MFRS. NAME, PART NO., COIL VOLTAGE, COIL RESISTANCE, CONTACT RATING, & WIRING DIAGRAM.

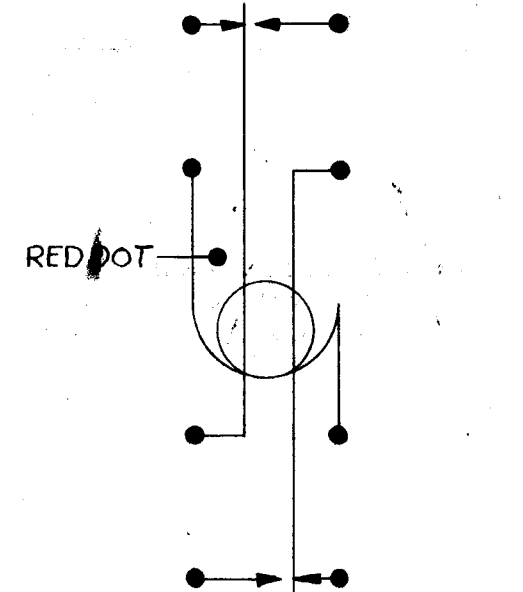
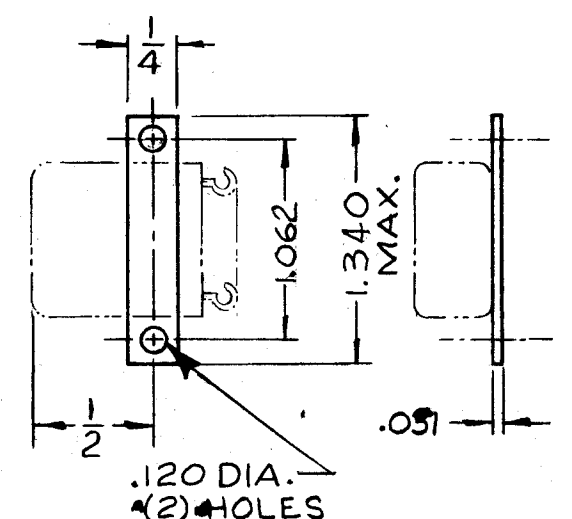
BASIC CASE DIMENSIONS



CASE STYLE 01



CASE STYLE 02



WIRING DIAGRAM
(AS VIEWED FROM TERMINAL END)

RL-143-45

* TERMINALS
RELAY

AFC-2		ASS'Y. NO.
Q'TY./UNIT	MODEL USED ON	
SCALE	CODE	S401-3

THE CONTENTS OF THIS DRAWING ARE THE EXCLUSIVE PROPERTY OF THE TECHNICAL MATERIEL CORP. ITS UNAUTHORIZED USE OR REPRODUCTION IN WHOLE OR IN PART IS STRICTLY FORBIDDEN.

REQ'D.	ITEM	PART NUMBER	DESCRIPTION	SYMBOL
LIST OF MATERIAL				
MATERIAL		THE TECHNICAL MATERIEL CORP. MAMARONECK, NEW YORK		
FINISH		RELAY, ARMATURE, MINIATURE		
TITLE		RELAY, ARMATURE, MINIATURE		
UNLESS OTHERWISE SPECIFIED DIMENSIONS ARE IN INCHES AND INCLUDE CHEMICALLY APPLIED OR PLATED FINISHES		DRAWN: A.K. CHECKED: R. Peter ELECT. DES.: Ron Kohn MECH. DES.: J. Gohl	DATE: 7-15-63 DATE: 7-17-63 DATE: 17 JULY '63 DATE: 7-17-63	FINAL APPROVAL: J.F.H. DATE: 7.17.63 SHEET: RL 143 REV. LTR.: H