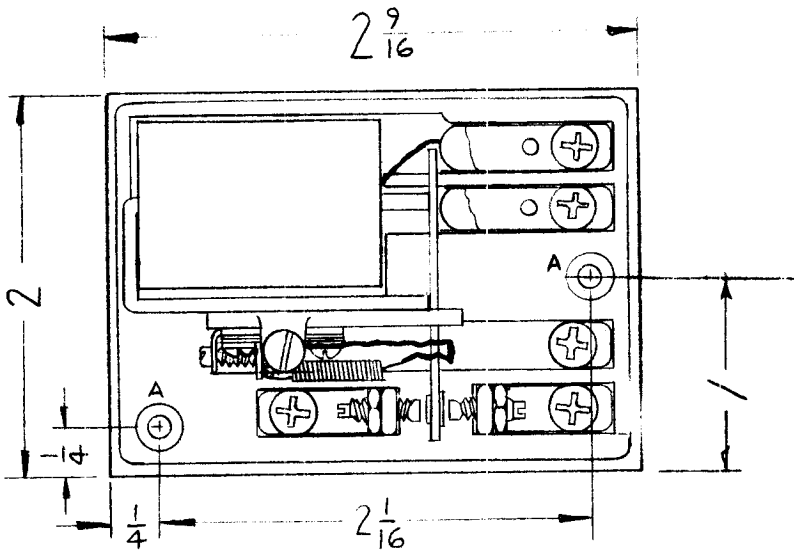


RE PER UNIT	USED ON			RL-141
	MODEL	ASSY. NO.	DATE	
1	BAC-1-S-20	A-	11-7-60	



A ~ .152 DIA. — (Mtg. Hole) 2 REQ

TYPE SVIC 10000 D
 26.5VDC
 CONTACTS - SPDT, 1 AMP

REF: ADVANCE ELECTRIC AND RELAY CO.

								REQ.	ITEM	PART NO.	DESCRIPTION	SYMBOL	
											THE TECHNICAL MATERIEL CORP.		
											MAMARONECK, NEW YORK		
								STOCK SIZE			RELAY, ARMATURE		
								MATERIAL					
ISSUE	ITEM	CHANGED FROM	DATE	CH. NO.	DRAFTS	CHECKER	ENG. APP.			Ruzzo		OPP	
TOLERANCES			SCALE: Do Not Scale							DRAWN	CHECKED	FINAL APPROVAL	
DEC. DIM. ±			MAXIMUM ALLOWABLE TOLERANCES HAVE BEEN DETERMINED AND ANY DEVIATIONS WILL BE CAUSE FOR REJECTION. REMOVE ALL BURRS AND SHARP EDGES					TYPE & TEMPER		HEAT TREAT. SPEC.		RL-141	
FRAC. DIM. ±								FINISH & SPEC. NO.		ELEC. DES. APP		MECH. DES. APP	
ANGULAR DIM. ±													