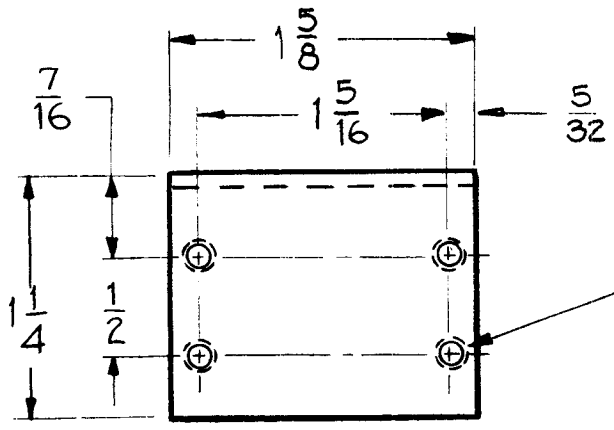
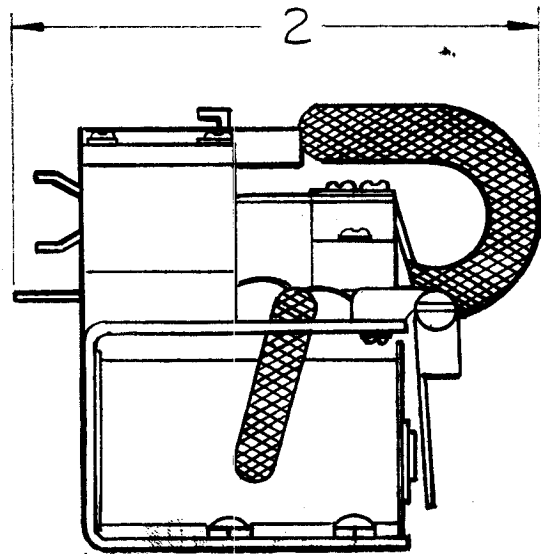
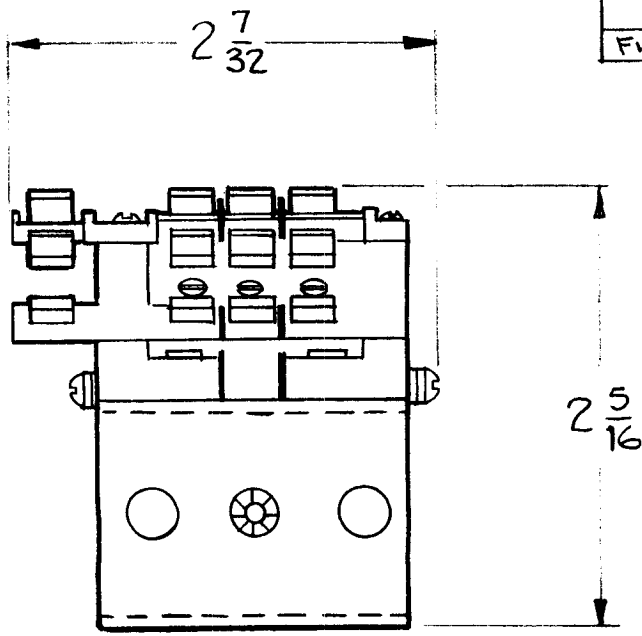


FUNCTION	REQ. PER. UNIT	USED ON		DATE	RL 136	A
		MODEL	ASS'Y. NO.			
FINAL FILAMENT	1	GPT 40K	AR 116	1-12-60		



6-32 THREAD (4 HOLES)

SPECIFICATIONS

COIL ~ 0.01 OHMS ± 10%
 MOISTURE RESISTANT
 VARNISHED.
 PILE UP ~ 4 FORM C
 (4 PDT)
 CONTACTS ~ CODE 15
 1/4" SILVER CADMIUM
 RATED 25 AMPERES
 ADJUSTMENT ~ OPERATE

 3 VOLT, 10AMP AC COIL

							REQ. ITEM	PART NO.	DESCRIPTION	SYMBOL									
									THE TECHNICAL MATERIEL CORP. MAMARONECK, NEW YORK										
									RELAY, ARMATURE										
A	1	coil Ω Added 3 VOLTS WAS 10 V	2/26/60	4	fwk	fwk	DB												
ISSUE		ITEM	CHANGED FROM	DATE	CH. NO.	DRAFTS	CHECKER	ENG. APP.											
TOLERANCES			SCALE: 5-401-59(33 BAC SODI)																
DEC. DIM. ±			MAXIMUM ALLOWABLE TOLERANCES HAVE BEEN DETERMINED AND ANY DEVIATIONS WILL BE CAUSE FOR REJECTION. REMOVE ALL BURRS AND SHARP EDGES							TYPE & TEMPER		HEAT TREAT. SPEC.		DRAWN		CHECKED		FINAL APPROVAL	
FRAC. DIM. ±										FINISH & SPEC. NO.		ELEC. DES. APP		MECH. DES. APP		RL 136		A	
ANGULAR DIM. ±																			