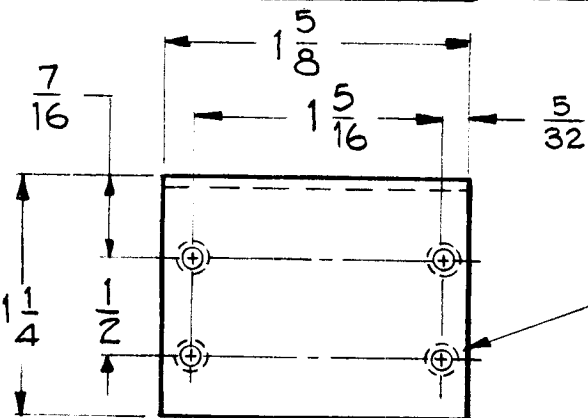
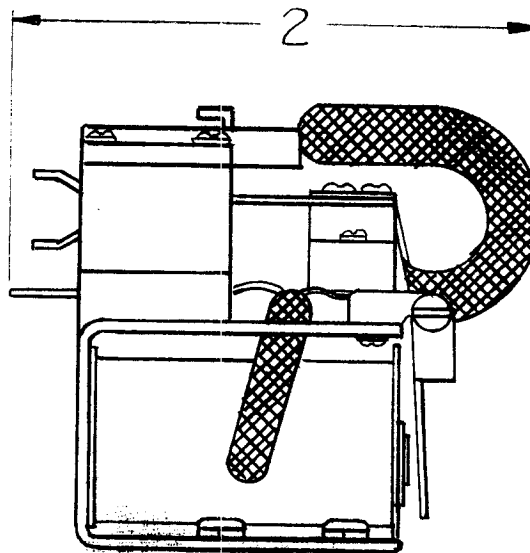
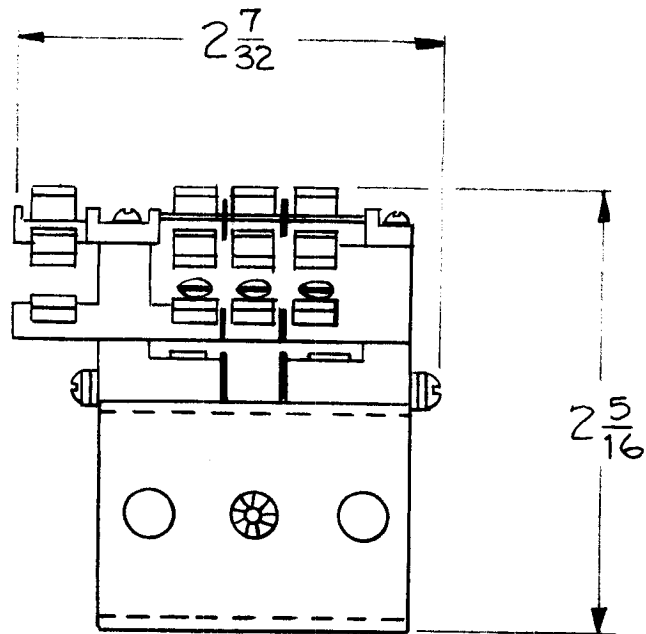


FUNCTION CROWBAR	REQ. PER UNIT 1	USED ON		
		MODEL GPT 40K	ASSY. NO. AR 116	DATE 1-11-60
				RL 107



NO LONGER AVAILABLE  
REPLACE BY RL 207

6-32 THREAD (4 HOLES)

~ SPECIFICATIONS ~  
 COIL ~ 2.4 OHMS ± 10%  
 MOISTURE RESISTANT  
 VARNISHED.  
 PILE UP ~ 4 FORM C  
 (4 PDT)  
 CONTACTS ~ CODE 15  
 1/4" SILVER CADMIUM  
 RATED 25 AMPERES  
 ADJUSTMENT ~ OPERATE  
 10 VOLT, 0.5 AMP  
 AC COIL

							REQ. ITEM	PART NO.	DESCRIPTION	SYMBOL		
B	NOTE ADD,	6-21-90		GDL	SD	QB			THE TECHNICAL MATERIEL CORP. MAMARONECK, NEW YORK RELAY, ARMATURE			
A	coil is added	2/26/60		HA	HO	QB						
ISSUE	ITEM	CHANGED FROM	DATE	CH. NO.	DRAFTS	CHECKER	ENG. APP.					
TOLERANCES		SCALE: S-401-59 (33BAC90C1)							DA. Man	A. J.	QB	
DEC. DIM. ±		MAXIMUM ALLOWABLE TOLERANCES HAVE BEEN DETERMINED AND ANY DEVIATIONS WILL BE CAUSE FOR REJECTION. REMOVE ALL BURRS AND SHARP EDGES					TYPE & TEMPER		HEAT TREAT. SPEC.	DRAWN	CHECKED	FINAL APPROVAL
FRAC. DIM. ±							FINISH & SPEC. NO.		ELEC. DES. APP		MECH. DES. APP	
ANGULAR DIM. ±											RL 134	B