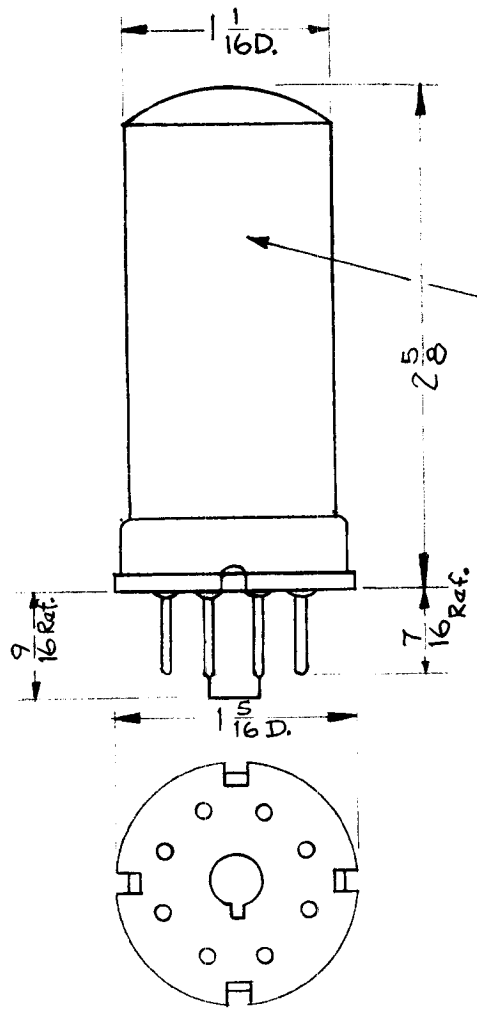
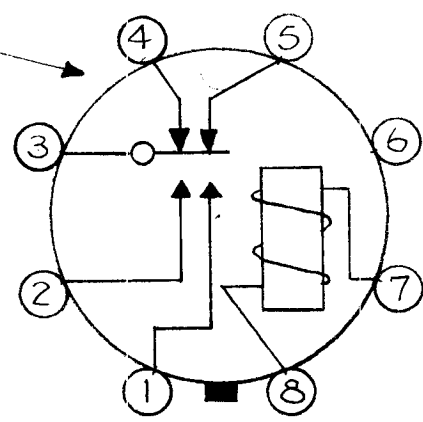


REQ. PER. UNIT 1	MODEL	USED ON		RL-131	A
	AK-100	ASS'Y. NO.	DATE		
			11/23/59		



— RELAY SCHEMATIC —



Schematic must appear on case.

NOM. RES. of COIL - 4000 ohms $\pm 10\%$ AT 25°C
 "Pull In" Current - 8.1 MA DC
 "Release" Current - 3.6 MA DC
 CONTACTS - SPDT MAKE BEFORE BREAK
 CONTACT RATINGS - 250 VA WITH -
 CONTACT PROTECTION ONLY. 5A. MAX.
 500V. MAX. at
 Contact closing.

NOTE —

1. Contacts are Mercury wetted.
2. Switching Mechanisms & Mercury reservoir sealed in glass.
3. Metal Outer Case.
4. Std. Octal Base.

ISSUE	ITEM	CHANGED FROM	DATE	CH. NO.	DRAFTS	CHECKER	ENG. APP.	REQ.	ITEM	PART NO.	DESCRIPTION	SYMBOL	
A	3	WITH CONTACT PROTECTION ADDED	2-29-60	1876	11/8	[Signature]	[Signature]				THE TECHNICAL MATERIEL CORP. MAMARONECK, NEW YORK		
	2	MAKE BEFORE BREAK ADDED									RELAY, MERCURY WETTED, OCTAL BASE		
	1	$\pm 10\%$ AT 25°C ADDED											
TOLERANCES			SCALE: S 401-80 (HG-1002)					MATERIAL		DRAWN: [Signature] CHECKED: [Signature]		FINAL APPROVAL: [Signature]	
DEC. DIM. \pm FRAC. DIM. \pm ANGULAR DIM. \pm			MAXIMUM ALLOWABLE TOLERANCES HAVE BEEN DETERMINED AND ANY DEVIATIONS WILL BE CAUSE FOR REJECTION. REMOVE ALL BURRS AND SHARP EDGES					TYPE & TEMPER HEATTREAT. SPEC.		ELEC. DES. APP MECH. DES. APP		RL-131 A	
								FINISH & SPEC. NO.					