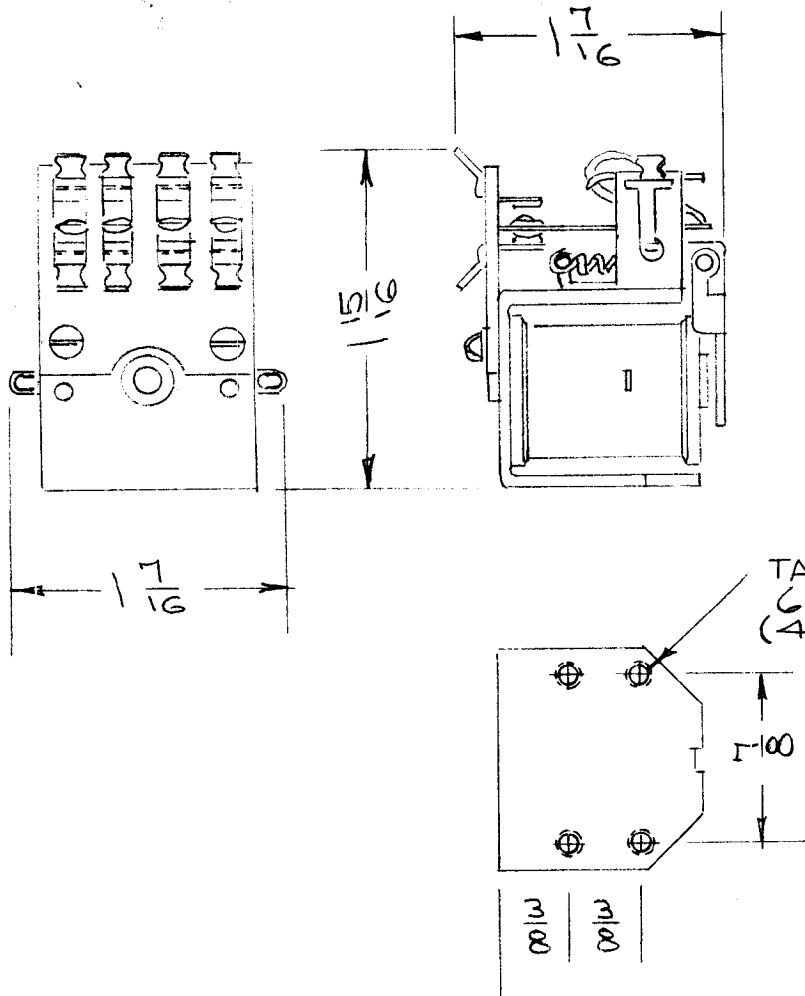


REQ. PER UNIT 2	USED ON			RL-126	B
	MODEL	ASS'Y. NO.	DATE		
	GPT-10K	T1-106	4-13-59		



ELECTRICAL SPECIFICATION

- COIL - 11,000 Ω ± 10%
- PIIE-UP - 4 Form C (4 P.D.T.)
- CONTACTS - 3/16" Silver Cad Oxite
Rated 10 A. 125 VAC Resistive
- ADJUSTMENT - Operate .010 Amperes Non-
-Operate .009 Amperes

NO LONGER AVAILABLE -
REPLACED BY RL201

Ref: Philtrol 57QA2E1

							REQ. ITEM	PART NO.	DESCRIPTION	SYMBOL			
									THE TECHNICAL MATERIEL CORP. MAMARONECK, NEW YORK				
									RELAY, ARMATURE				
B	NOTE NO LONGER AVAILABLE ADDED	3-16-73		GDC		ARB							
A	TAPPED WAS CLEARANCE (ON 6-32)	5-3-66	16186	WNO		ARB							
ISSUE	ITEM	CHANGED FROM	DATE	CH. NO.	DRAFTS	CHECKER	ENG. APP.						
TOLERANCES			SCALE:										
DEC. DIM. ±			MAXIMUM ALLOWABLE TOLERANCES HAVE BEEN DETERMINED AND ANY DEVIATIONS WILL BE CAUSE FOR REJECTION: REMOVE ALL BURRS AND SHARP EDGES				TYPE & TEMPER	HEATTREAT. SPEC.	DRAWN	CHECKED	FINAL APPROVAL		
FRAC. DIM. ±													
ANGULAR DIM. ±													
							FINISH & SPEC. NO.	ELEC. DES. APP	MECH. DES. APP	RL-126 B			