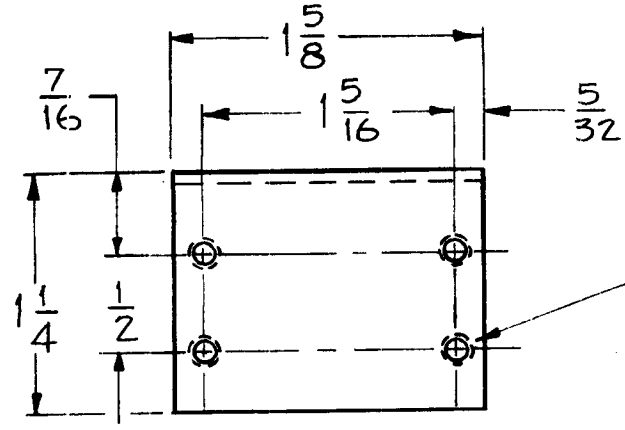
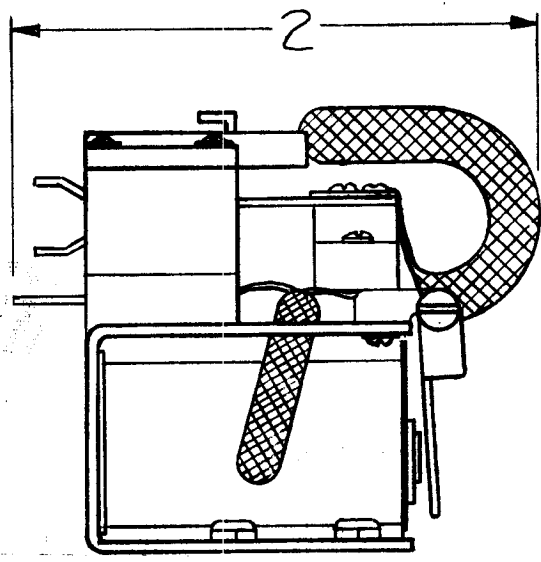
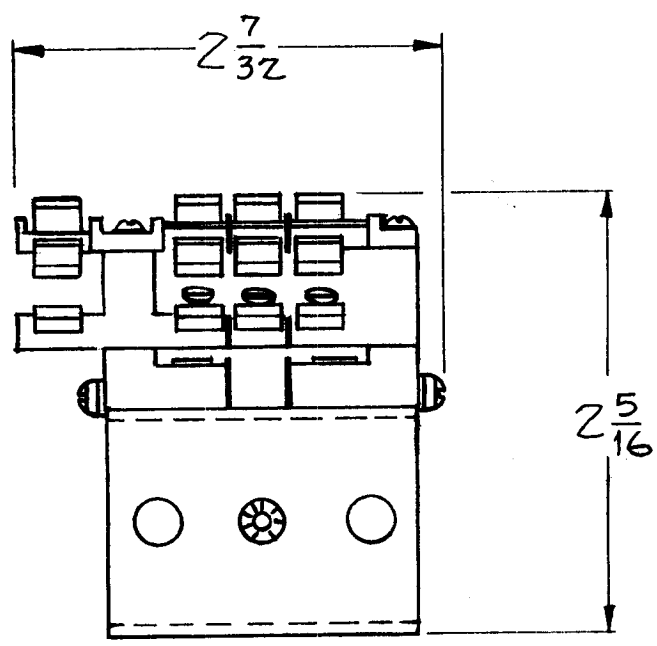


REQ. PER. UNIT	USED ON			RL 124 D
	MODEL	ASS'Y. NO.	DATE	
Z	GPT 10K	RELAY/PANEL	5-11-59	



6-32 THREAD (4 HOLES)

SPECIFICATIONS

COIL - 1150 OHMS ± 10%
 MOISTURE RESISTANT
 VARNISHED.

PILE UP ~ 4 FORM C
 (4 PDT)

CONTACTS ~ CODE 15
 1/4" SILVER CADMIUM
 RATED 25 AMPERES

ADJUSTMENT ~ OPERATE
 220V, 50/60 CYCLE AC.
 PULL IN VOLTAGE 175V ± 5% AC.

REQ.	ITEM	PART NO.	DESCRIPTION		SYMBOL				
D	5401-439 WAS 401-59	1030 85	GDL						
C	ADJ. SPECS. 5% ADDED	4.15.64	11214	NB	<i>[Signature]</i>				
B	IN SPECS. 1150 OHMS WAS 1800 OHMS	11/4/63	10326	<i>[Signature]</i>	<i>[Signature]</i>				
A	ON ELEC. SPEC. "PULL IN VOLTAGE 175V AC" ADDED	9/12/63	9913	G.D.L.	<i>[Signature]</i>				
ISSUE	ITEM	CHANGED FROM	DATE	CH. NO.	DRAFTS	CHECKER	ENG. APP.		
TOLERANCES		SCALE: S-401-439-93 AX 13							
DEC. DIM. ±		MAXIMUM ALLOWABLE TOLERANCES HAVE BEEN DETERMINED AND ANY DEVIATIONS WILL BE CAUSE FOR REJECTION. REMOVE ALL BURRS AND SHARP EDGES							
FRAC. DIM. ±									
ANGULAR DIM. ±									
TYPE & TEMPER		HEAT TREAT. SPEC.		DRAWN		CHECKED		FINAL APPROVAL	
FINISH & SPEC. NO.		ELEC. DES. APP.		MECH. DES. APP.		RL 124 D			