

IF IT IS FOUND DESIRABLE TO CHANGE ANY TOLERANCE OR OTHER DETAIL SPECIFIED ON THIS DRAWING NOTIFY THE PURCHASER PROMPTLY.

MAXIMUM ALLOWABLE TOLERANCES HAVE BEEN DETERMINED AND DEVIATIONS WILL BE CAUSE FOR REJECTION. REMOVE ALL BURRS AND SHARP EDGES

NOTICE TO PERSONS RECEIVING THIS DRAWING

THE TECHNICAL MATERIEL CORPORATION claims proprietary right in the material disclosed hereon. This drawing is issued in confidence for engineering information only and may not be reproduced or used to manufacture anything shown hereon without permission from THE TECHNICAL MATERIEL CORPORATION to the user. This drawing is loaned for mutual assistance and is subject to recall at any time.

A
RL 114

TYPE: 33 QA

COIL DATA:

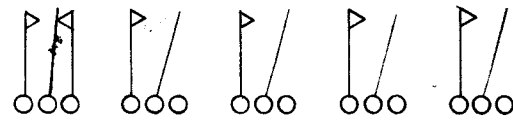
NOM. OPER. VOLTS - 115 V DC

COIL RESISTANCE - 5000 Ω

MIN. OPER. AMPS. - .015 A

CONTACTS - 25 AMPS.

SILVER-CADMIUM

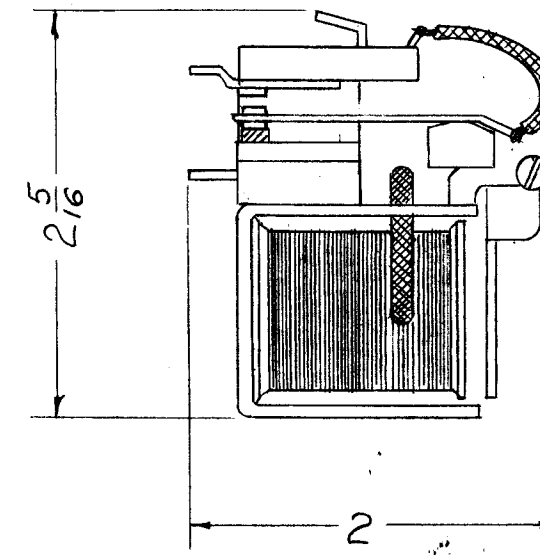
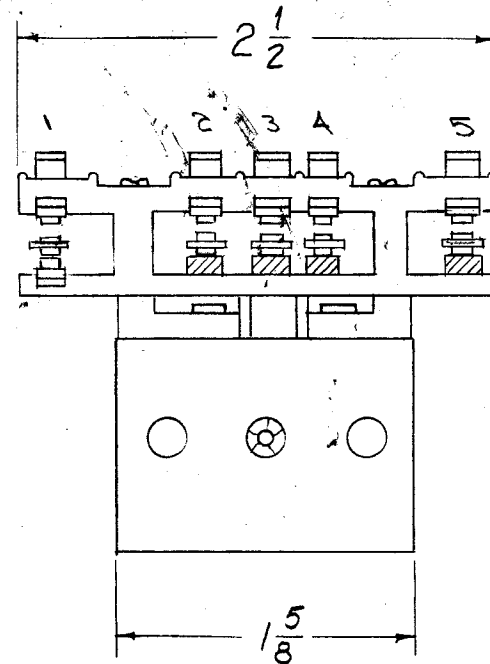


ELECTRICAL

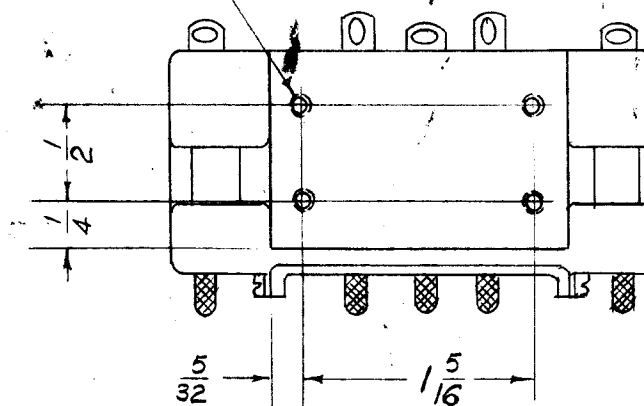
SHOWN IN DE-ENERGIZED POSITION

Property of:
THE TECHNICAL MATERIEL CORPORATION
MAMARONECK, NEW YORK

= DUMMY CONTACT OR REST



6-32 TAP



NOTE: IMPREGNATION.
COIL MUST BEAR FIBERGLASS COVERING
IN DOUBLE IMPREGNATION

NOTE

RELAY TO BE STAMPED RL 114 BY MFR.

REF: PHILLIPS CONTROL CORP # 33BQA67A

ISSUE	ITEM	CHANGED FROM	DATE	CN. NO.	DRAFTS	CHECKER	ENG. APP.
D	1	2-1/2 DIM WAS 2	9-10-52	7204	SG	Y. J.	[Signature]
C	1	IMPREGNATION NOTE ADDED	10/7/52	*	JR	[Signature]	[Signature]
B	1	25 AMPS WAS 10	7/24/57	2	SC	[Signature]	[Signature]
A	2	PHIL-TYP No. Added Modify 33DC-115-5C Deleted	3/27/57	1	JAD	[Signature]	[Signature]

TOLERANCES		SCALE:
ALL OTHERS	DEC. DIM. \pm FRAC. DIM. \pm ANGULAR DIM. \pm	DRILL, PUNCH, COMMERCIAL STOCK SIZES AND MANUFACTURERS TOLERANCES ARE NOT INCLUDED.

1	RTP	A 1270	8-24-55
REQ. PER UNIT	MODEL	PROJECT NO.	ASSY. NO.
			DATE
			USED ON

REQ. ITEM	PART NO.	DESCRIPTION	SYMBOL
		THE TECHNICAL MATERIEL CORP. MAMARONECK, NEW YORK	
STOCK SIZE		PLATE RELAY	
MATERIAL		GPT 750	
WEIGHT PER PC.		115 8-4-55	[Signature]
TYPE & TEMPER		MP	[Signature]
HEAT TREAT. SPEC.		INDEX	[Signature]
DRAWN		ELEC. DES. APP.	MECH. DES. APP.
CHECKED		FINAL APPROVAL	
FINISH & SPEC. NO.		RL 114 D	