

IF IT IS FOUND DESIRABLE TO CHANGE ANY TOLERANCE OR OTHER DETAIL SPECIFIED ON THIS DRAWING NOTIFY THE PURCHASER PROMPTLY.

MAXIMUM ALLOWABLE TOLERANCES HAVE BEEN DETERMINED AND DEVIATIONS WILL BE CAUSE FOR REJECTION. REMOVE ALL BURRS AND SHARP EDGES

RL-112

NOTICE TO PERSONS RECEIVING THIS DRAWING

THE TECHNICAL MATERIEL CORPORATION claims proprietary right in the material disclosed hereon. This drawing is issued in confidence for engineering information only and may not be reproduced or used to manufacture anything shown hereon without permission from THE TECHNICAL MATERIEL CORPORATION to the user. This drawing is loaned for mutual assistance and is subject to recall at any time.

Property of:

THE TECHNICAL MATERIEL CORPORATION
MAMARONECK, NEW YORK

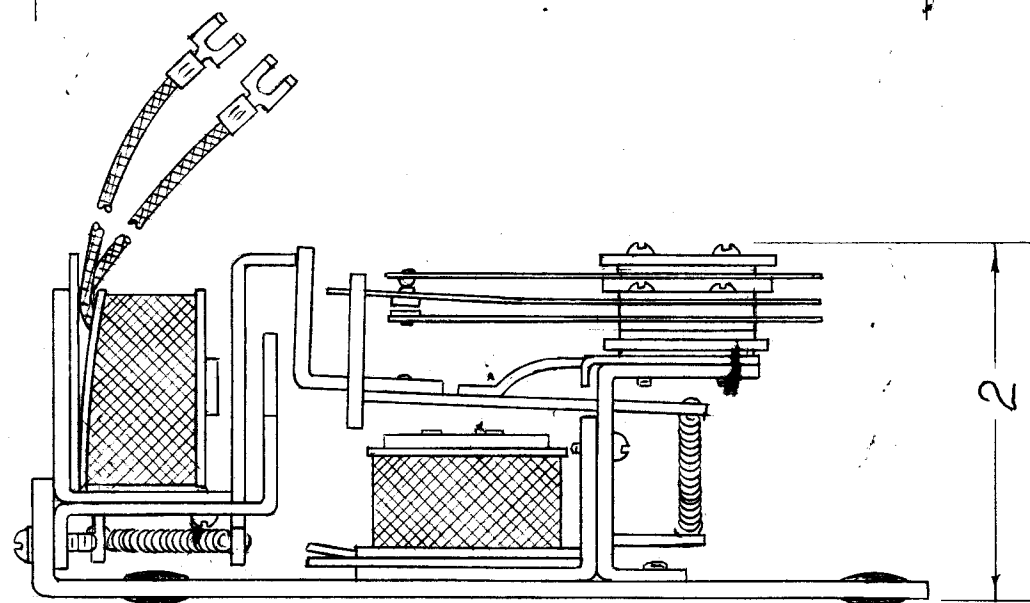
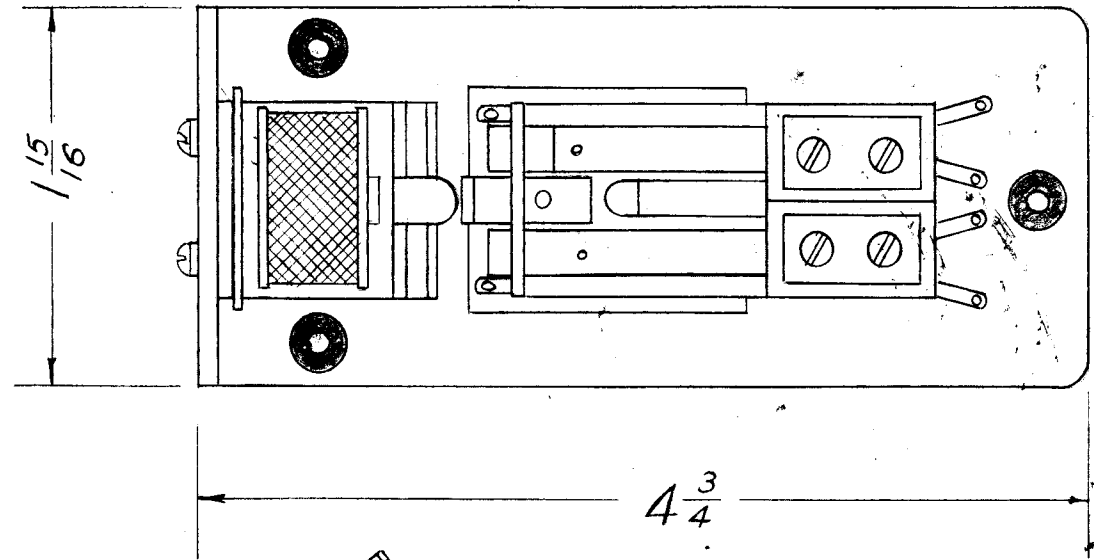
RELAY NORMALLY SUPPLIED WITH REMOTE POTENTIOMETER
(TO BE PURCHASED WITHOUT POT.)

OVERLOAD COIL -
ADJUSTABLE FROM 250-750 MA. VOLTAGE DROP,
AT ANY CURRENTS LESS THAN 10 V.

RESET COIL - 6.3 V. AC
OVERLOAD COIL RES. = 100 Ω

TERMINALS -
SOLDER TYPE

CONTACTS -
INSULATED FOR 3000 V.
POINTS - PURE SILVER



REF: GUARDIAN MFG. CO
SERIES X-300-ER ADJUSTABLE w/o POT

REQ.	ITEM	PART NO.	DESCRIPTION	SYMBOL
			THE TECHNICAL MATERIEL CORP. MAMARONECK, NEW YORK	
STOCK SIZE			RELAY, PLATE OVERLOAD	
MATERIAL		WEIGHT PER PC.	GPT-750	
TYPE & TEMPER			12-8-31-55	10/26/55
			DRAWN	ELEC. DES. APP. MECH. DES. APP.
			A. J. J.	
HEAT TREAT. SPEC.			CHECKED	FINAL APPROVAL
FINISH & SPEC. NO.			RL-112	

ISSUE	ITEM	CHANGED FROM	DATE	CN. NO.	DRAFTS	CHECKER	ENG. APP.
TOLERANCES		SCALE:					
ALL OTHERS	DEC. DIM. ± FRAC. DIM. ± ANGULAR DIM. ±	DRILL, PUNCH, COMMERCIAL STOCK SIZES AND MANUFACTURERS TOLERANCES ARE NOT INCLUDED.					

1	RTP	A-1272	8-24-55
REQ. PER UNIT	MODEL	PROJECT NO.	ASS'Y. NO. DATE
USED ON			