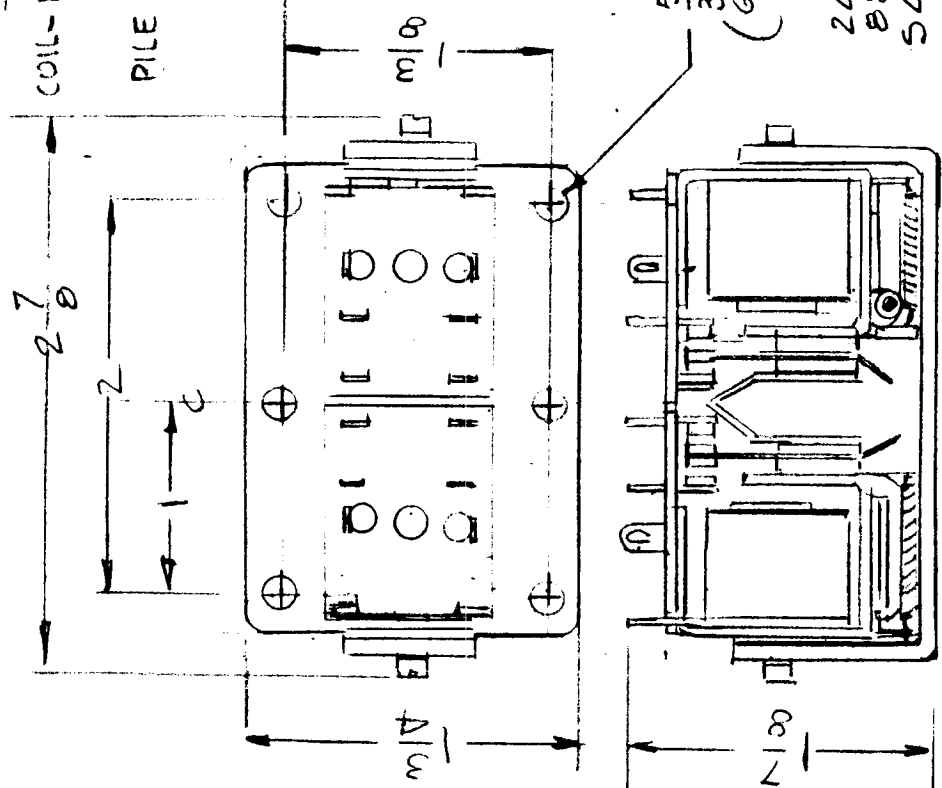


| APPLICATION | | REVISIONS | | | | | | | |
|-------------|---------------|-----------|-----|------------------|---------|---------|-------|------|------|
| QTY | MODEL USED ON | ASSY NO. | LTR | DESCRIPTION | DATE | E.M.N.O | DRAFT | CHKD | APPD |
| 1 | GPT10K | A5844 | Ø | ORIGINAL RELEASE | 3-19-55 | | | | Q |
| | SPT-10K | A5855 | | | | | | | |

NOTE:
 WHEN USED TO REPLACE RL125
 MOUNTING PLATE PX1293 MUST BE SUPPLIED
 (AR104)

ELECTRICAL SPECS.

COIL - LATCH 2000Ω APROX
 UNLATCH 245Ω APROX
 PILE UP - 4 FORM C (4 PPT)
 CONTACTS - 10 AMP 125VAC
 LATCH OPERATE 190V 50/60 CPS
 UNLATCH - 080 AMPERES
 OPERATE



240 VAC
 88ALX-29
 5401 - 439

| UNLESS OTHERWISE SPECIFIED DIMENSIONS ARE IN INCHES AND INCLUDE CHEMICALLY APPLIED OR PLATED FINISHES | REQ'D ITEM | PART NUMBER | DESCRIPTION | SYM. |
|---|----------------|-------------|--|------|
| DECIMALS X ± .06 XX ± .01 XXX ± .005 | FINAL APPROVAL | | LIST OF MATERIAL | |
| FRACTIONS 1/64 | MECH. DES. | | THE TECHNICAL MATERIEL CORP. MAMARONECK, NEW YORK | |
| TOLS. ANGLES 90° .30' | ELECT. DES. | | RELAY ARMATURE | |
| MATERIAL | CHECKED | | | |
| FINISH | DRAWN GDL | | | |
| | DATE 3-19-55 | | | |
| | DATE | | | |
| | DATE | | | |
| | DATE | | | |
| | DATE 3-19-55 | | | |

| | | | | | |
|---|-------|------------------|---------------------------------|-------------------------|-------------------|
| NOTICE TO PERSONS RECEIVING THIS DRAWING THE TECHNICAL MATERIEL CORPORATION claims proprietary right in the materiel disclosed hereon. This drawing is issued in confidence for engineering information only and may not be reproduced or used to manufacture anything shown hereon without permission from THE TECHNICAL MATERIEL CORPORATION to the user. This drawing is loaned for mutual assistance and is subject to recall at any time. | | SIZE A | CODE IDENT. NO. 82679 | DWG NO. RL203 | ISSUE Ø |
| SCALE | SHEET | OF | | | |