

IF IT IS FOUND DESIRABLE TO CHANGE ANY TOLERANCE OR OTHER DETAIL SPECIFIED ON THIS DRAWING NOTIFY THE PURCHASER PROMPTLY.

STANDARD DRAWING

RB-100 C

MAXIMUM ALLOWABLE TOLERANCES HAVE BEEN DETERMINED AND DEVIATIONS WILL BE CAUSE FOR REJECTION.
REMOVE ALL BURRS AND SHARP EDGES

USED ON

MODEL	PROJECT NO.	ASS'Y. NO.	DATE
-------	-------------	------------	------

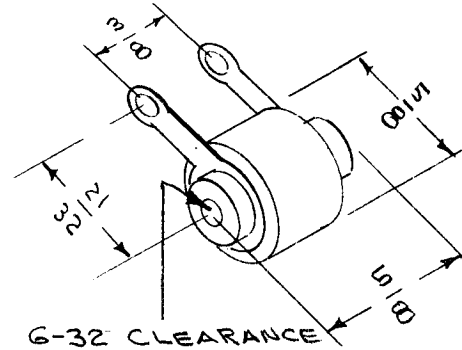
TOLERANCE	
E	± 0.5%
F	± 1%
G	± 2%
J	± 5%
K	± 10%
M	± 20%

WIRE CHARACTERISTIC	
N	+170 PPM/°C
J	+130 PPM/°C
E	± 30 PPM/°C
K	± 30 PPM/°C
L	± 15 PPM/°C

EXAMPLES

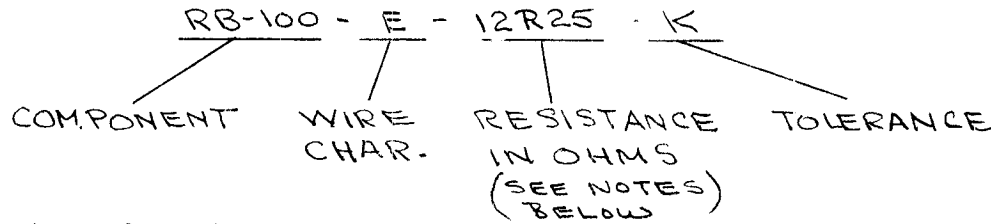
12.25	=	12R25
122.5	=	122R5
1225	=	12250
12250	=	12251
122500	=	12252

4 DIGITS NO OF ZEROS



APPLIES OVER RANGE OF -60 TO +100°C. EXCEPT FOR "L" WHERE RANGE IS +15 TO +35°C.

TYPE DESIGNATION TO BE IN FOLLOWING FORM



RESISTORS ARE MANUFACTURED IN ACC. WITH MIL-R-93 AND AMEND., OPERATING IN HUMIDITIES UP TO 95% IN THE TEMP. RANGE FROM -55 TO +85°C.

NOTE:

- RESISTANCE IN OHMS TO BE SPECIFIED TO 4 DIGITS
- 5TH DIGIT IS ADDED TO INDICATE NO. OF ZEROS.
- WHERE DECIMAL POINT IS INCLUDED (BY R) THE 5TH DIGIT IS OMITTED.
- SEE EXAMPLES ABOVE.

REF. NEOM RESISTOR CORP. TYPE RK

REQ.	ITEM	PART NO.	DESCRIPTION	SYMBOL
			THE TECHNICAL MATERIEL CORP. MAMARONECK, NEW YORK	
			RESISTOR, PRECISION W.W.	
			1 WATT	
			C.D.D. 5-19-54	
			DRAWN	ELEC. DES. APP. MECH. DES. APP.
			CHECKED	FINAL APPROVAL
				RB-100 C

C	"MIL-R-93" WAS "JAN-R-93"	3/28/54	CC	HCA	RS	RS	
B	EXAMPLES ADDED	2/19/58	2	HWA	RS	AST	
A	NOTE #3 ADDED	9/29/54	1	E.O.S.	KZ	AST	
ISSUE	ITEM	CHANGED FROM	DATE	CN. NO.	DRAFTS	CHECKER	ENG. APP.

TOLERANCES		SCALE	DRILL, PUNCH, COMMERCIAL STOCK SIZES AND MANUFACTURERS TOLERANCES ARE NOT INCLUDED.
ALL OTHERS	DEC. DIM. ± FRAC. DIM. ± ANGULAR DIM. ±		