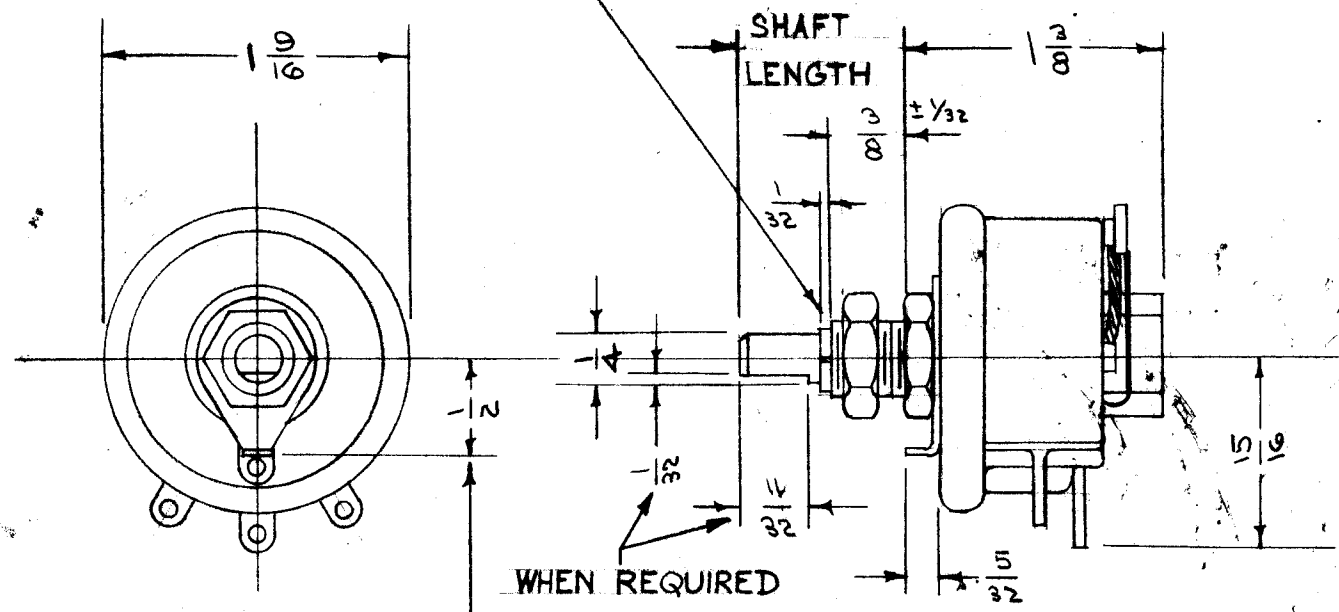


IF IT IS FOUND DESIRABLE TO CHANGE ANY TOLERANCE OR OTHER DETAIL SPECIFIED ON THIS DRAWING NOTIFY THE PURCHASER PROMPTLY.

MAXIMUM ALLOWABLE TOLERANCES HAVE BEEN DETERMINED AND DEVIATIONS WILL BE CAUSE FOR REJECTION. REMOVE ALL BURRS AND SHARP EDGES

STANDARD DRAWING

BUSHING 3/8 - 32 THD.
NUT FURNISHED BY MGR.



LOCKING FEATURE DRILL 3/16 HOLE IN PANEL
NOTE
RESISTOR NORMALLY MADE AS SHOWN

TYPE DESIGNATION TO BE IN FOLLOWING FORM

RA 75 A F D 252 A K 25

COMPONENT STYLE SWITCH SHAFT SHAFT RES. RESISTANCE RESISTANCE POWER
(NONE) STYLE LENGTH VALUE TAPER TOLERANCE (WATTS)

ROTATION 295°

010

TYPE DESIGNATION	RESISTANCE (OHMS)	OHMITE CAT. NO.	TYPE DESIGNATION	RESISTANCE (OHMS)	OHMITE CAT. NO.
RA-75--1R0---	1	0140	RA-75--12.51---	125	0152
RA-75--2R0---	2	0141	RA-75--17.51---	175	0153
RA-75--3R0---	3	0142	RA-75--251---	250	0154
RA-75--6R0---	6	0143	RA-75--351---	350	0155
RA-75--8R0---	8	0144	RA-75--501---	500	0156
RA-75--100---	10	0145	RA-75--751---	750	0157
RA-75--150---	15	0146	RA-75--102---	1,000	0158
RA-75--250---	25	0147	RA-75--152---	1,500	0159
RA-75--350---	35	0148	RA-75--252---	2,500	0160
RA-75--500---	50	0149	RA-75--352---	3,500	0161
RA-75--750---	75	0150	RA-75--502---	5,000	0162
RA-75--101---	100	0151			
RA-75--0R5---	.5	24493			

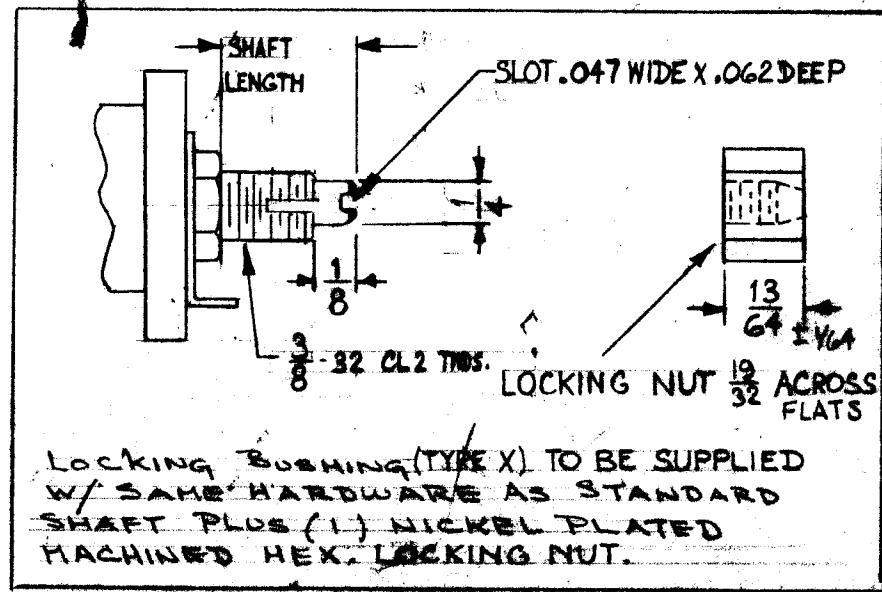
LETTER SYMBOL	RESIS. TOL.
J	± 5%
K	± 10%

LETTER DESG.	STYLE
F	FLATTED
R	ROUND
S	SLOTTED
X	LOCKING (SLOTTED) SEE DETAIL

LETTER DESG.	LENGTH
A	5/8
C	3/4
D	7/8
	STANDARD

LETTER DESG.	TAPER
A	LINEAR

TYPE DESIGNATION ONLY TAKEN FROM JAN-R-19



LOCKING BUSHING (TYPE X) TO BE SUPPLIED W/ SAME HARDWARE AS STANDARD SHAFT PLUS (1) NICKEL PLATED MACHINED HEX. LOCKING NUT.

TYPE	USE ON
TYPE XA	UP TO 1/8 THK. PANELS
TYPE XC	UP TO 1/4 THK. PANELS
TYPE XD	UP TO 3/8 THK. PANELS

MODEL "H" SERIES

REQ. ITEM	PART NO.	DESCRIPTION	SYMBOL
THE TECHNICAL MATERIEL CORP. MAMARONECK, NEW YORK			
RESISTOR, VARIABLE, W.W.			
25 WATTS			
MATERIAL		WEIGHT PER PC.	
TYPE & TEMPER		HEAT TREAT. SPEC.	
FINISH & SPEC. NO.		DRAWN	
CHECKED		FINAL APPROVAL	

DATE: 5-15-61
DRAWN: AJJ
CHECKED: AJJ
FINAL APPROVAL: RA-75-C

ISSUE	ITEM	CHANGED FROM	DATE	CN. NO.	DRAFTS	CHECKER	ENG. APP.
C	1	ON DETAIL, SHAFT LENGTH CLARIFIED	5-20-63	9330			
B	1	LOCKING BUSHING DETAIL REVISED	5-15-61	4855			
A	2	RA75--0R5--- Added	7/16/58	1			
A	1	LOCKING BUSHING ADDED					

SCALE: S-401-56

DRILL, PUNCH, COMMERCIAL STOCK SIZES AND MANUFACTURERS TOLERANCES ARE NOT INCLUDED.

ALL OTHERS DEC. DIM. ±
FRAC. DIM. ±
ANGULAR DIM. ±

MODEL: PROJECT NO.: ASSY. NO.: DATE:

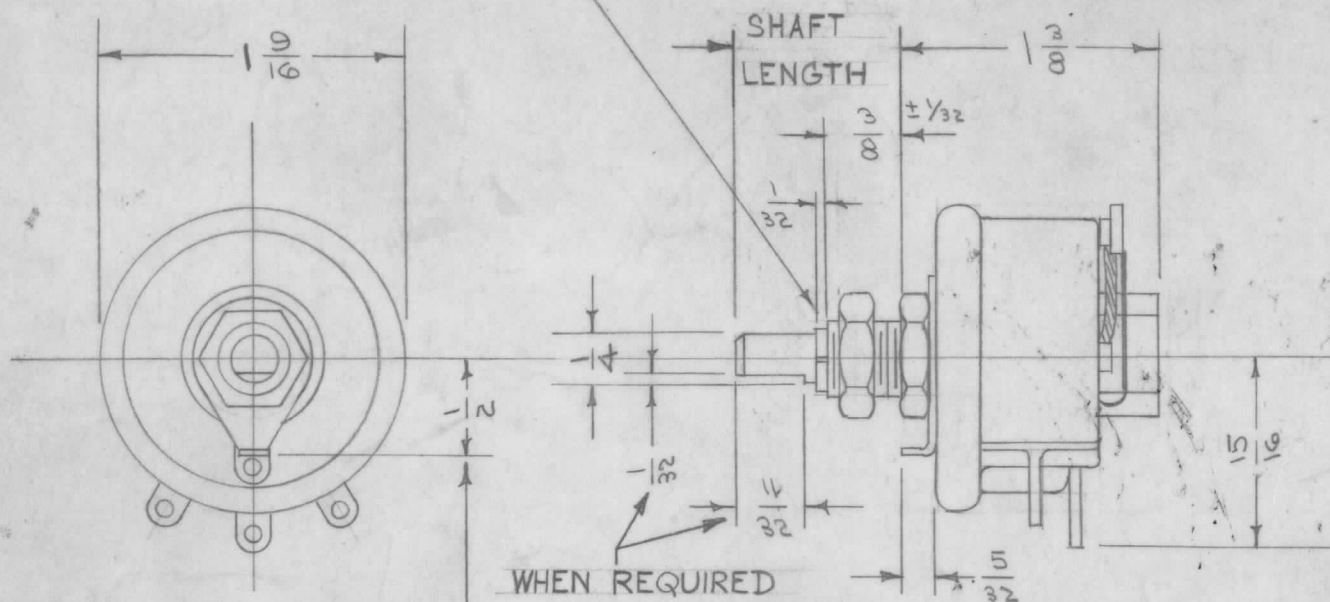
USED ON:

IF IT IS FOUND DESIRABLE TO CHANGE ANY TOLERANCE OR OTHER DETAIL SPECIFIED ON THIS DRAWING NOTIFY THE PURCHASER PROMPTLY.

MAXIMUM ALLOWABLE TOLERANCES HAVE BEEN DETERMINED AND DEVIATIONS WILL BE CAUSE FOR REJECTION. REMOVE ALL BURRS AND SHARP EDGES

STANDARD DRAWING

BUSHING 3/8-32 THD.
NUT FURNISHED BY MFR.



LOCKING FEATURE DRILL 3/16 HOLE IN PANEL
NOTE
RESISTOR NORMALLY MADE AS SHOWN

TYPE DESIGNATION TO BE IN FOLLOWING FORM

RA 75 A F D 252 A K 25

COMPONENT STYLE SWITCH SHAFT SHAFT RES. RESISTANCE RESISTANCE POWER
(NONE) STYLE LENGTH VALUE TAPER TOLERANCE (WATTS)

SHAFT STYLE

LETTER DESG.	STYLE
F	FLATTED
R	ROUND
S	SLOTTED
X	LOCKING (SLOTTED) SEE DETAIL

SHAFT LENGTHS ± 1/32

LETTER DESG.	LENGTHS
A	5/8
C	3/4
D	7/8 STANDARD

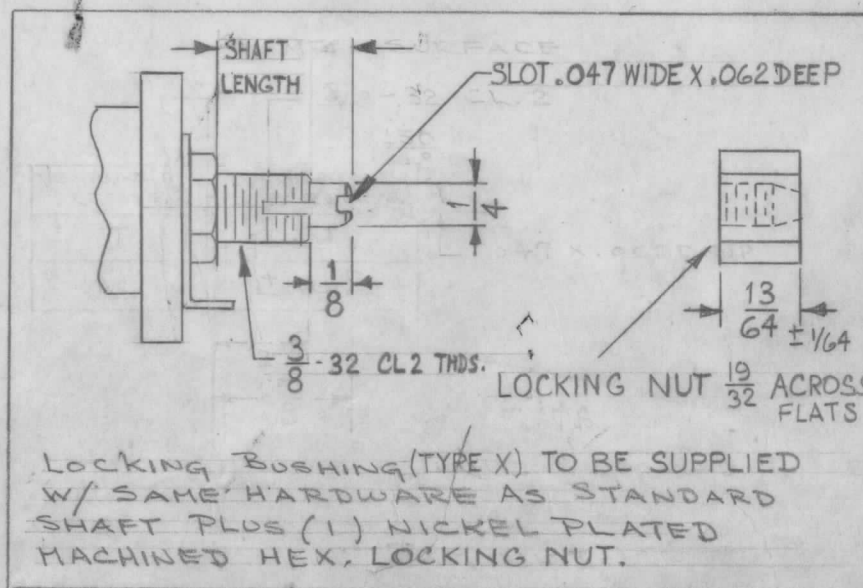
TAPERS

LETTER DESG.	TAPER
A	LINEAR

LETTER SYMBOL	RESIS. TOL.
J	± 5%
K	± 10%

TYPE DESIGNATION ONLY TAKEN FROM JAN-R-19

ROTATION 295°



LOCKING SHAFT APPLICATION

TYPE	USE ON
TYPE XA	UP TO 1/8 THK. PANELS
TYPE XC	UP TO 1/4 THK. PANELS
TYPE XD	UP TO 3/8 THK. PANELS

MODEL "H" SERIES

REQ.	ITEM	PART NO.	DESCRIPTION	SYMBOL
			THE TECHNICAL MATERIEL CORP. MAMARONECK. NEW YORK	
			RESISTOR, VARIABLE, W.W.	
			25 WATTS	
			CDD B-4-54	AJJ
			DRAWN	ELEC. DES. APP. MECH. DES. APP.
			MADE	AJJ
			CHECKED	FINAL APPROVAL
				RA-75 C

ISSUE	ITEM	CHANGED FROM	DATE	CN. NO.	DRAFTS	CHECKER	ENG. APP.
C	1	ON DETAIL, SHAFT LENGTH CLARIFIED	6-20-63	9330			
B	1	LOCKING BUSHING DETAIL REVISED	5-15-61	4855			
A	2	RA75--0R5--- Added	1/16/58	1			
A	1	LOCKING BUSHING ADDED					

TOLERANCES		SCALE: S-401-56
ALL OTHERS	DEC. DIM. ± FRAC. DIM. ± ANGULAR DIM. ±	DRILL, PUNCH, COMMERCIAL STOCK SIZES AND MANUFACTURERS TOLERANCES ARE NOT INCLUDED.

MODEL	PROJECT NO.	ASS'Y. NO.	DATE

USED ON