

TMC NO.	TOTAL RESISTANCE	RESOLUTION (PER CENT)	MAX VOLT ACROSS COIL	NOMINAL TEMPCO (PPM)	ROTATION (+6°, -0°)	POWER RATING	L
RA110-1	10K	.018	173	±20	360°	3 W	153/64

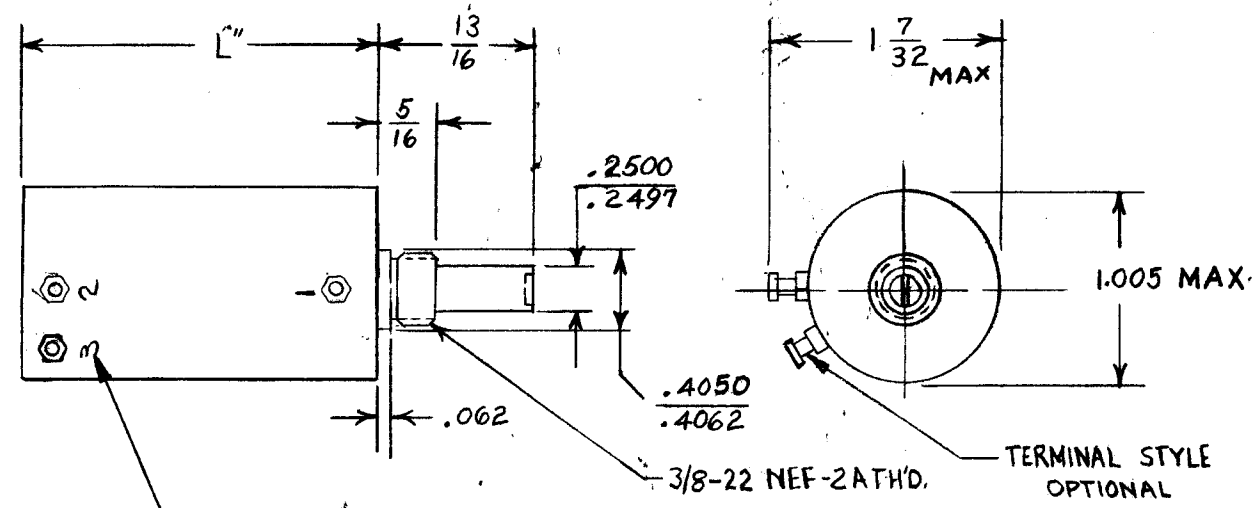
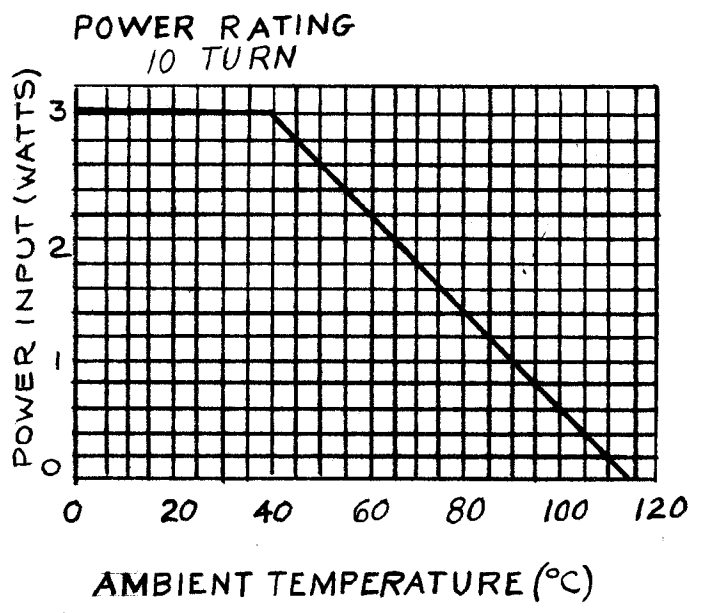
REVISIONS					
SYM	DESCRIPTION	DATE	E.M.N. NO.	DRAFT	CHKD APPD
XI	ADDED TERMINAL NO. DESIGNATION.	4/16/64	1	JL	@
Ø	ORIGINAL RELEASE FOR PRODUCTION	6/25/64	Ø	A.M.	
A	RESISTANCE TOLERANCE WAS ±1%	9.17.64	12380	HS	@
B	CLERICAL CHANGE	10.1.64		FL	@
C	ON PICT. SCHEMATIC & TERM. STYLE OPT. NOTE ADD. REF. ADD. ON CHART "3W" WAS "3". ON U/D "S401..." WAS "S401-295 (MODEL A-10)."	10.20.64	12725	FL	@

RA110

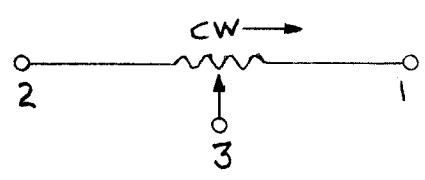
SPECIFICATIONS

ELECTRICAL
 RESISTANCE TOLERANCE: ± 3%
 END RESISTANCE: OVER 2K .02%, UNDER 2K 0.1%
 LINEARITY TOLERANCE: .3% MAXIMUM
 TEMPERATURE RANGE, OPERATING: -55°C TO +110°C
 INSULATION RESISTANCE: 100 MEGOHM MINIMUM
 VOLTAGE BREAKDOWN TERMINAL TO GROUND: 1000 VRMS
 POWER DERATING: @40°C TO 0 @110°C

MECHANICAL
 LIFE EXPECTANCY SHAFT REVOLUTIONS: 2 MILLION
 STARTING TORQUE: 1.5 OZ. INCH MAXIMUM
 RUNNING TORQUE: 1.2 OZ. INCH MAXIMUM
 REGISTER DIAMETER RUNOUT MAXIMUM T. I. R.: .0015"
 SHAFT RUNOUT MAXIMUM T. I. R.: .0005"
 SHAFT RADIAL PLAY MAXIMUM T. I. R.: .002"
 SHAFT END PLAY MAXIMUM T. I. R.: .005"
 SHAFT MATERIAL; STAINLESS STEEL
 MAXIMUM NOISE: 10 OHMS OR 0.1% OF TOTAL RESISTANCE WHICHEVER IS LARGER.



STAMP TERM. NOS IN WHITE 1/8 HIGH GOTHIC APPROX. AS SHOWN.



SCHEMATIC

REF: DEFINITIONS & TEST PROCEDURE MIL-R-12934

REQ'D.	ITEM	PART NUMBER	DESCRIPTION	SYMBOL
M. GELL				
LIST OF MATERIAL				
MATERIAL			THE TECHNICAL MATERIEL CORP. MAMARONECK, NEW YORK	
FINISH			TITLE RESISTOR, VARIABLE, PRECISION MULTI TURN	
UNLESS OTHERWISE SPECIFIED DIMENSIONS ARE IN INCHES AND INCLUDE CHEMICALLY APPLIED OR PLATED FINISHES		DRAWN A. MARINO	DATE 2-12-64	FINAL APPROVAL
DECIMALS .X ± .05 .XX ± .01 .XXX ± .005		CHECKED @	DATE 6-7-64	DATE
FRACTIONS ± 1/64 ANGLES ± 0° 30'		ELECT. DES. J.C.	DATE 6/16/64	DATE
TOLERANCES		MECH. DES. J.C.	DATE	DATE
THE CONTENTS OF THIS DRAWING ARE THE EXCLUSIVE PROPERTY OF THE TECHNICAL MATERIEL CORP. ITS UNAUTHORIZED USE OR REPRODUCTION IN WHOLE OR IN PART IS STRICTLY FORBIDDEN.			RA110	
SCALE NONE			SHEET	
MODEL USED ON CSS-2			REV. LTR.	
CODE C			REV. LTR.	

NOTES