

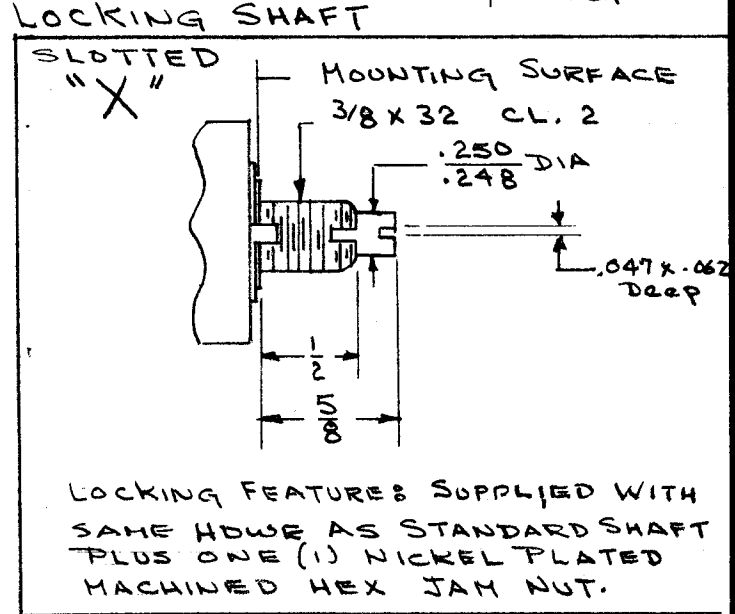
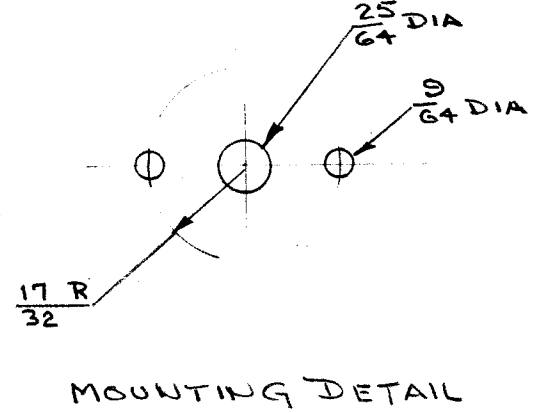
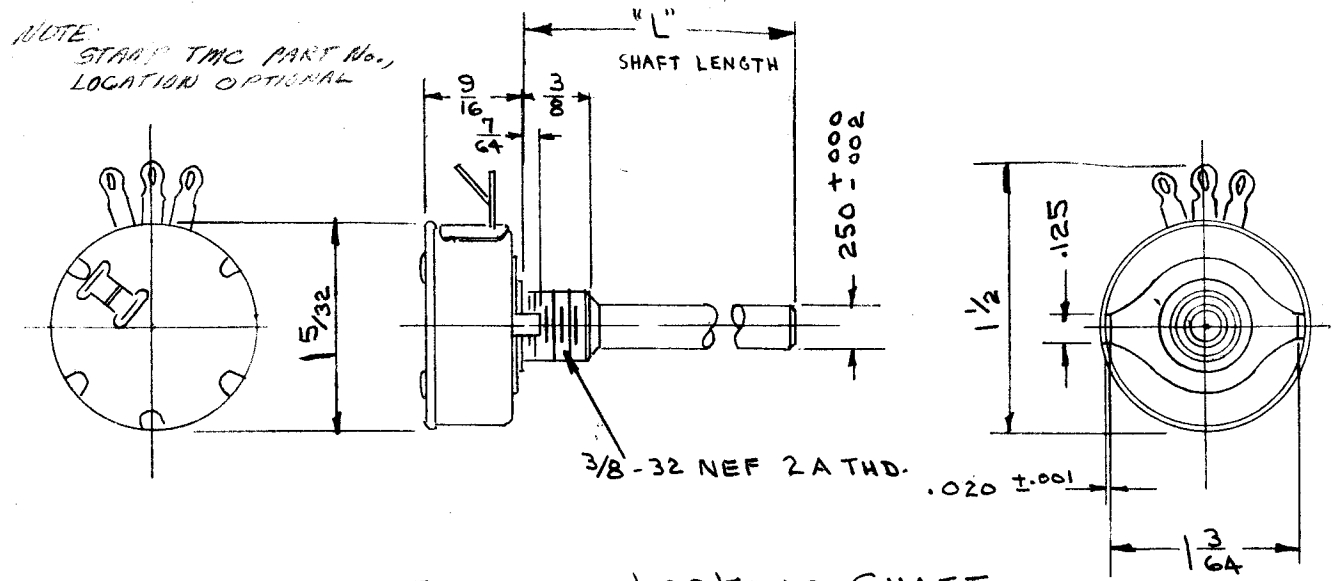
RA-109

RESISTANCE VALUES AVAILABLE AS STANDARD	
	200
1	400
2	500
3	600
4	1000
6	2000
10	3000
15	4000
20	5000
25	10M
30	15M
40	20M
50	25M
60	50M
75	75M
100	100M

SHAFT LENGTH "L"			
LETTER DES.	ROUND OR FLATTED	SLOTTED	LENGTH OF FLAT
A		5/8	
C		3/4	
D	7/8	7/8	.375 ± .010
E	1	1	.500 ± .010
G	1-1/4	1-1/4	.625 ± .010
H	1-1/2	1-1/2	.625 ± .010
J	2	2	.625 ± .010
K	2-1/2	2-1/2	2.125 ± .010

SHAFT STYLE	
F	FLATTED
R	ROUND
S	SLOTTED
X	LOCKING SLOTTED

TEMPERATURE & HUMIDITY TEST		
LET. DES.	AMBIENT TEMP. RANGE	MAX. ALLOWABLE CHANGE IN TOT. RES. DUE TO HUM.
T	-65°F TO +200°F	± 10%
U	DELETED USE "T"	



Type Designation to be in following form:

RA - 109 T F D 103 A
 Component Temp. & Hum. Shaft Style Shaft Length Res. Ω & Taper Tol. & Taper

ADDITIONAL CHARACTERISTICS

1. Voltage Breakdown - 900 V. AC Rotor to Ground.
2. Dual, Triple Units - Also available on request.
3. Taper - Linear } "A"
4. Tolerance - 10% }
5. Wattage Rating: 5 watts @40°C Derate to 0 W. @150°C

NOTE:

STANDARD SHAFT UNITS ARE SUPPLIED WITH ONE (1) NICKEL PLATED MACHINE HEXAGON MOUNTING NUT AND ONE (1) INTERNAL TOOTH LOCK WASHER.

ISSUE	ITEM	CHANGED FROM	DATE	CH. NO.	DRAFTS	CHECKER	ENG. APP.
C		TCH TEST CHART REVISED NOTE # 10.5 ADDED	7/9/65	14433	H.V.	QC/2	[Signature]
B	1	REF. was BA-401	4/6/60			[Signature]	[Signature]
A	1	"L" DIM. CLARIFIED	1-20-60	1790	W.F.	[Signature]	[Signature]

REQ. ITEM	PART NO.	DESCRIPTION	SYMBOL
		THE TECHNICAL MATERIEL CORP. MAMARONECK, NEW YORK	
		RESISTOR, ADJUSTABLE WW 5W	
		W.W. 5 WATTS	
		TYPE & TEMPER	
		HEAT TREAT. SPEC.	
		FINISH & SPEC. NO.	

REQ. PER UNIT	MODEL	PROJECT NO.	ASS'Y. NO.	DATE