

IF IT IS FOUND DESIRABLE TO CHANGE ANY TOLERANCE OR OTHER DETAIL SPECIFIED ON THIS DRAWING NOTIFY THE PURCHASER PROMPTLY.

# STANDARD DRAWING

MAXIMUM ALLOWABLE TOLERANCES HAVE BEEN DETERMINED AND DEVIATIONS WILL BE CAUSE FOR REJECTION. REMOVE ALL BURRS AND SHARP EDGES

RA-107 A

RESISTANCE VALUES AVAILABLE AS STANDARD	
1/2	200
1	400
2	500
3	600
4	1000
6	2000
10	3000
15	4000
20	5000
25	10M
30	15M
40	20M
50	25M
60	50M
75	75M
100	100M

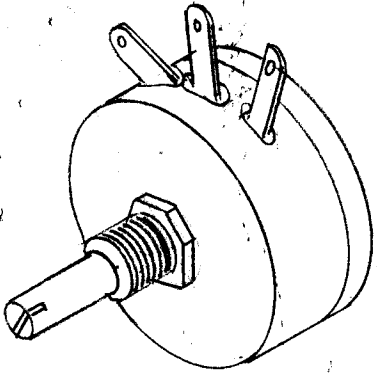
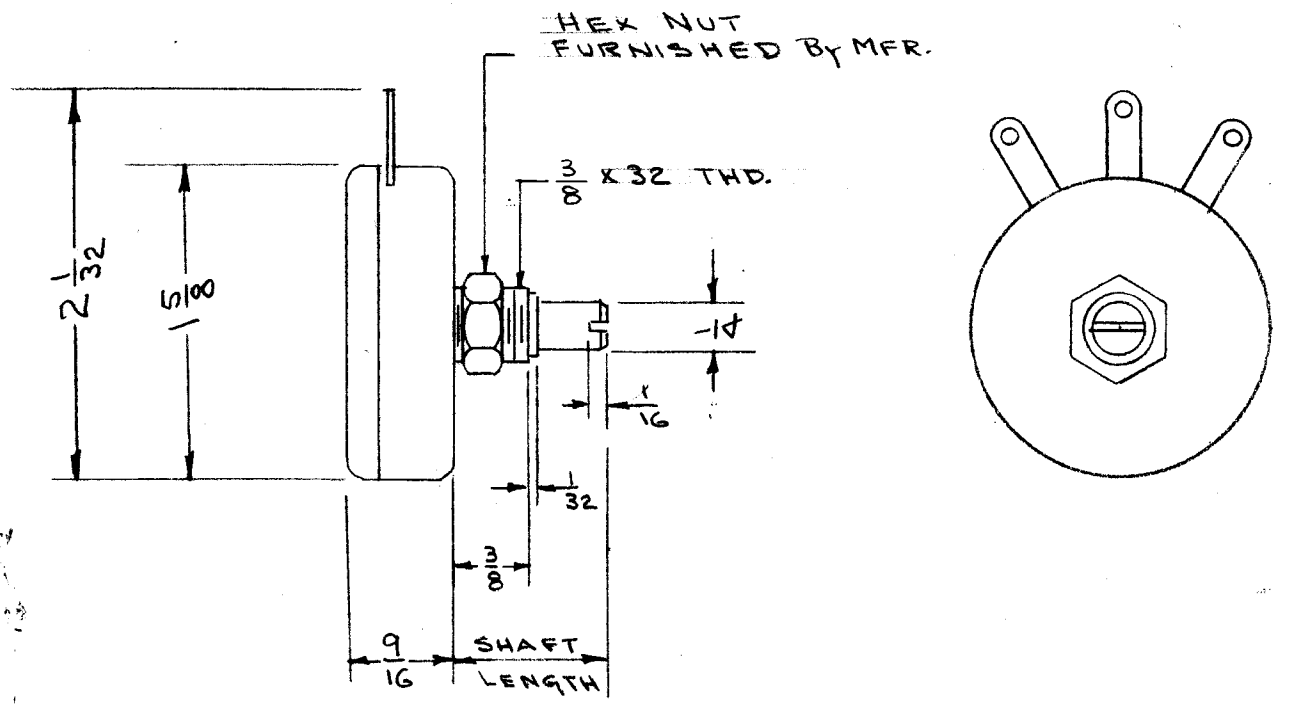
LETTER DES.	SHAFT LENGTH		LENGTH OF FLAT
	ROUND OR FLATTED	SLOTTED	
A		5/8	
C		3/4	
D	7/8	7/8	.375 ±.010
F	1	1	.500 "
G	1 1/4	1 1/4	.625 "
H	1 1/2	1 1/2	.625 "
J	2	2	.625 "
K	2 1/2	2 1/2	2.125 "

SHAFT STYLE	
F	FLATTED
R	ROUND
S	SLOTTED
X	LOCKING SLOTTED

TAPER	TOL.
A	LINEAR 10
B	— # — #
C	LOG 10
D	— # — #
E	REV. LOG 10
F	— # — #

TEMP. & HUM. TEST ACC. TO JAN-R-94 (1)			
LET. DES	MAXIMUM AMBIENT TEMPERATURE	MAX. ALLOWABLE CHANGE IN TOT. RES. DUE TO HUM.	
T	105°C 221°F	± 10%	
U	105°C 221°F	± 25%	

NOTE: STANDARD SHAFT UNITS ARE SUPPLIED WITH ONE (1) NICKEL PLATED MACHINE HEX MTG. NUT AND ONE (1) INTERNAL TOOTH LOCK WASHER.

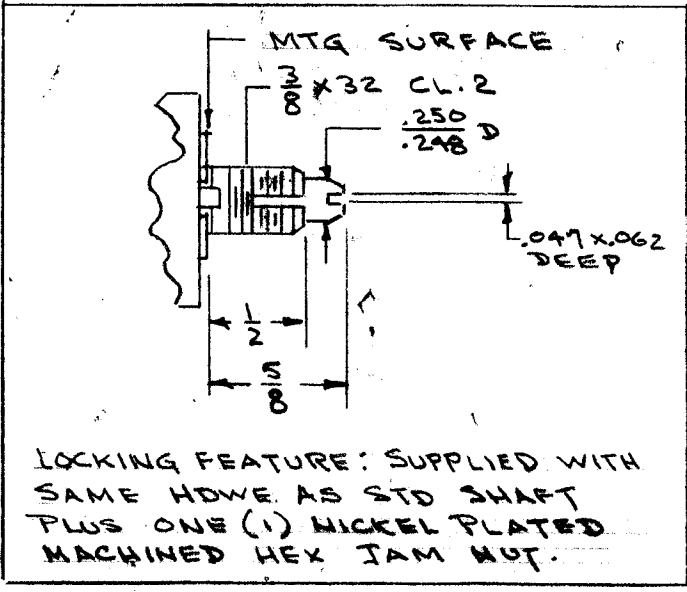


- ADDITIONAL CHARACTERISTICS
- VOLTAGE BREAK DOWN - 900V. AC ROTOR TO GROUND.
  - DUAL, TRIPLE UNITS - ALSO AVAILABLE.
  - TAPS AVAILABLE - 22% (SPECIAL); 50% (STAND); 78% (SPEC.) % of ROT.
  - ROTATION - 275 ± 5% W/O SW.; 2450 ± 5% W/SWITCH.

TYPE DESIGNATION TO BE IN FOLLOWING FORM

RA-107 T F D 103 A

COMPONENT TEMP & HUM. STYLE SHAFT LENGTH RES. TOL. & TAPER



REQ.	ITEM	PART NO.	DESCRIPTION	SYM.
			THE TECHNICAL MATERIEL CORP. MAMARONECK, NEW YORK	
			RESISTOR, ADJUSTABLE	
			W.W. 4 W	
			TYPE & TEMPER	
			HEAT TREAT. SPEC.	
			FINISH & SPEC. NO.	

TYPE M

SCALE: S-401-107 (M)

DRILL, PUNCH, COMMERCIAL STOCK SIZES AND MANUFACTURERS TOLERANCES ARE NOT INCLUDED.

MODEL PROJECT NO. ASSY. NO. DATE

USED ON

RESISTOR, ADJUSTABLE

W.W. 4 W

TYPE & TEMPER

HEAT TREAT. SPEC.

FINISH & SPEC. NO.

RA-30

RA-107

ISSUE	ITEM	CHANGED FROM	DATE	CN. NO.	DRAFTS	CHECKER	ENG. APP.
A	1	Tapers B, D, F Deleted	2/11/55	1	AD	000	A.J.J.

TOLERANCES

SCALE: S-401-107 (M)

DRILL, PUNCH, COMMERCIAL STOCK SIZES AND MANUFACTURERS TOLERANCES ARE NOT INCLUDED.

MODEL PROJECT NO. ASSY. NO. DATE

USED ON