

IF IT IS FOUND DESIRABLE TO CHANGE ANY TOLERANCE OR OTHER DETAIL SPECIFIED ON THIS DRAWING NOTIFY THE PURCHASER PROMPTLY.

MAXIMUM ALLOWABLE TOLERANCES HAVE BEEN DETERMINED AND DEVIATIONS WILL BE CAUSE FOR REJECTION. REMOVE ALL BURRS AND SHARP EDGES

# STANDARD DRAWING

## RESISTANCES STANDARD

5	150	2,000
10	200	2,500
20	300	3,000
25	400	4,000
30	500	5,000
40	750	7,500
75	1,000	10,000
100	1,500	

## SHAFT LENGTH

LETTER DES.	ROUND OR FLATTED	SLOTTED	LENGTH OF FLAT
A	—	5/8	—
C	—	3/4	—
D	7/8	7/8	.375 ± .010
E	1	—	.500 "
G	1 1/4	1 1/4	.625 "
H	1 1/2	1 1/2	.625 "
J	2	2	.625 "
K	2 1/2	2 1/2	2.125 "

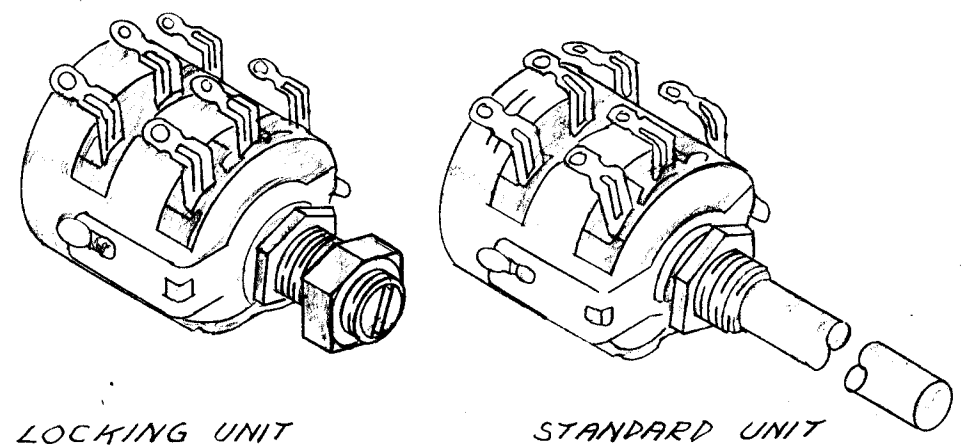
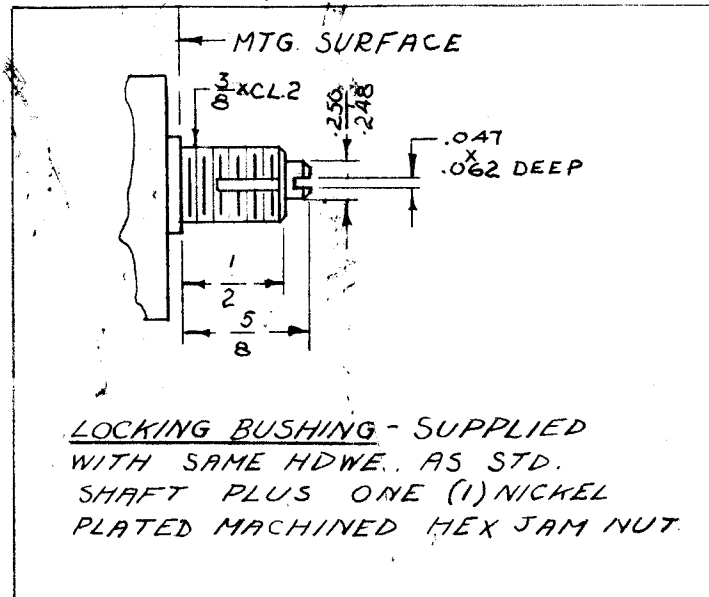
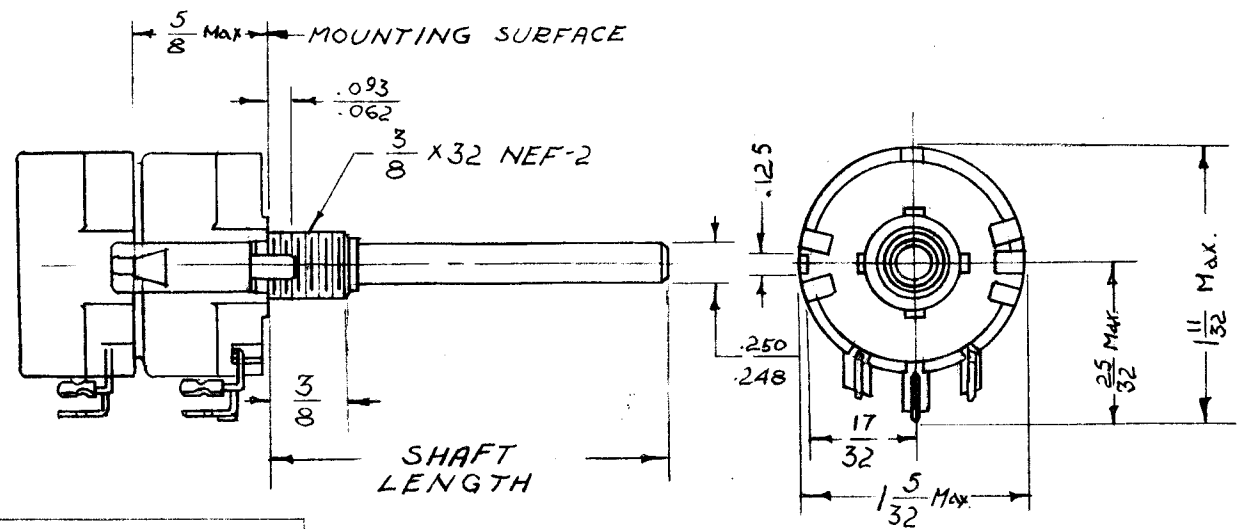
STYLE OF SHAFT	
F	FLATTED
R	ROUND
S	SLOTTED
X	LOCK SLOTTED

SWITCH	
A	NO SWITCH
B	SP ST SW
C	DP ST SW

TOLERANCE & TAPER	
A	ONLY AVAILABLE LINEAR ± 10%

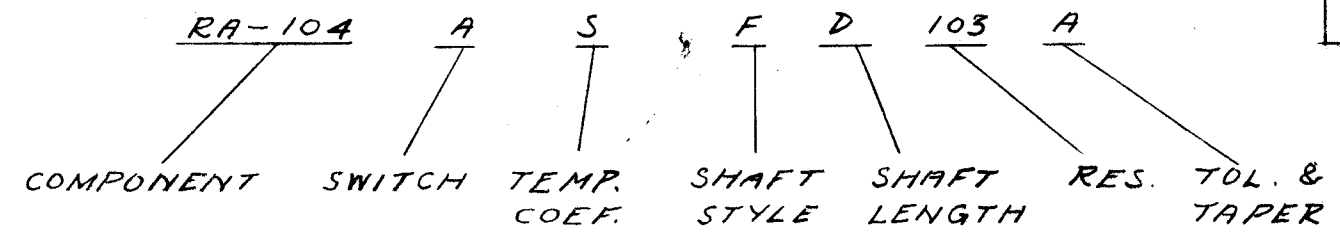
TEMP. COEF	
S	STANDARD 160 PPM
Q	SPECIAL 20 PPM

RA-104



**NOTE:**  
STANDARD SHAFT UNITS ARE SUPPLIED WITH ONE (1) NICKEL PLATED MACHINED HEX MTG. NUT AND ONE (1) INTERNAL TOOTH LOCKWASHER.

TYPE DESIGNATION TO BE IN FOLLOWING FORM.



REF. CLAROSTAT MFG. CO. INC. SERIES 43

REQ.	ITEM	PART NO.	DESCRIPTION	SYMBOL
		— H —	THE TECHNICAL MATERIEL CORP. MAMARONECK. NEW YORK	
		— H —	RESISTOR, ADJUSTABLE, DUAL	
		— H —	WIRE WOUND, 2 WATT	
		— H —	P.O. 10-6-54	KZ
		— H —	DRAWN	ELEC. DES. APP. MECH. DES. APP.
		— H —	CHECKED	FINAL APPROVAL
		— H —		RA-104

ISSUE	ITEM	CHANGED FROM	DATE	CN. NO.	DRAFTS	CHECKER	ENG. APP.
TOLERANCES		SCALE:					
ALL OTHERS		DRILL, PUNCH, COMMERCIAL STOCK SIZES AND MANUFACTURERS TOLERANCES ARE NOT INCLUDED.					

MODEL	PROJECT NO.	ASS'Y. NO.	DATE
USED ON			