

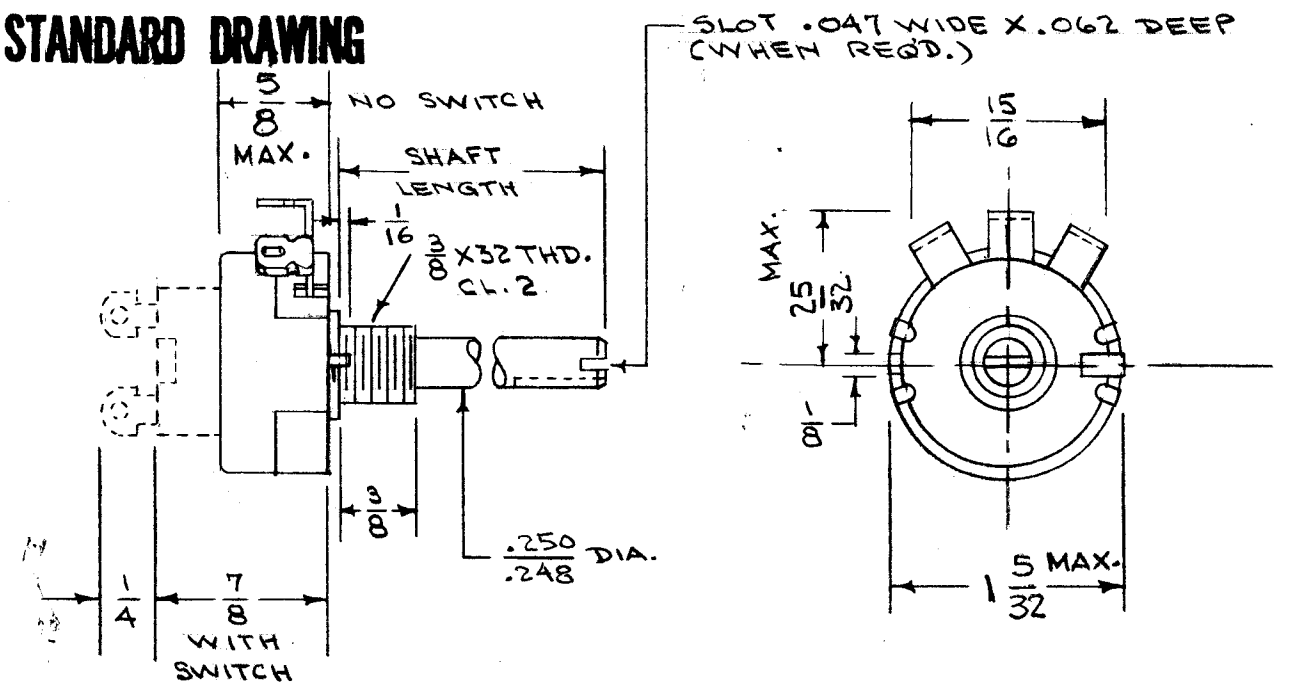
IF IT IS FOUND DESIRABLE TO CHANGE ANY TOLERANCE OR OTHER DETAIL SPECIFIED ON THIS DRAWING NOTIFY THE PURCHASER PROMPTLY.

MAXIMUM ALLOWABLE TOLERANCES HAVE BEEN DETERMINED AND DEVIATIONS WILL BE CAUSE FOR REJECTION. REMOVE ALL BURRS AND SHARP EDGES

TOLERANCE - $\pm 10\%$
TAPER - LINEAR } ONLY AVAILABLE "A"

RA 101 E

STANDARD DRAWING



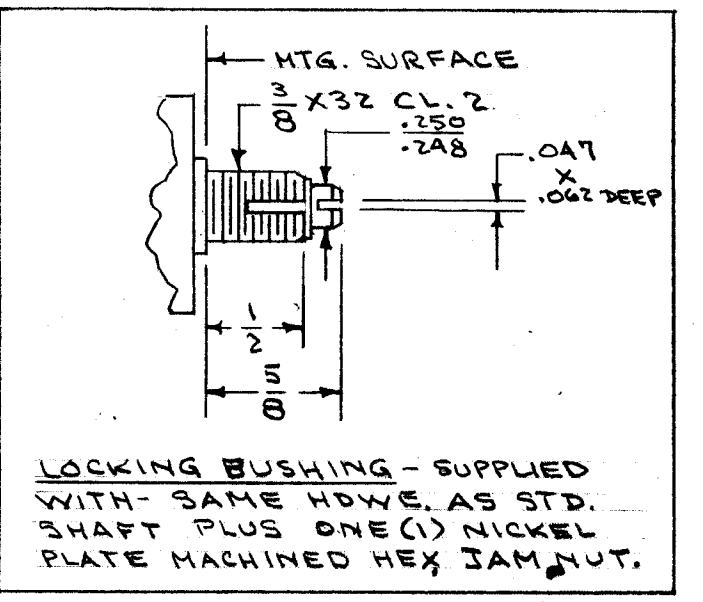
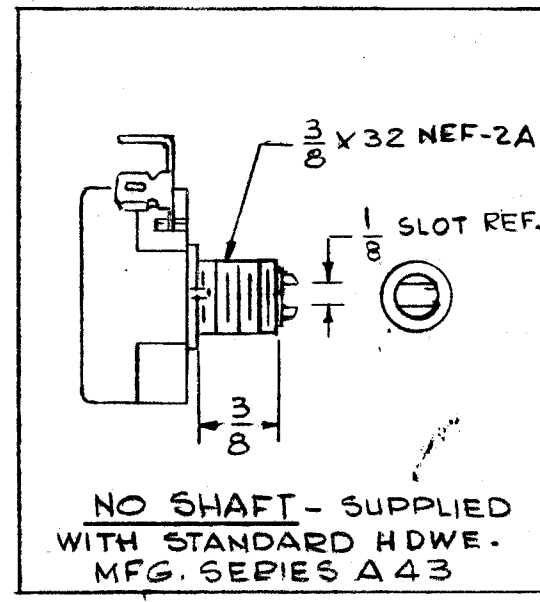
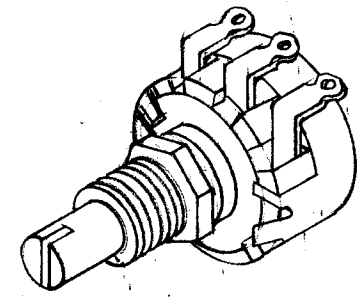
RES. OHMS.	CAP. M.A.
5	640
10	450
20	320
30	260
40	225
50	200
75	165
100	140
150	115
200	100
500	65
750	55
1000	45
2000	31
3000	26
4000	22
5000	20
7500	16
10000	14

LETTER DES.	SHAFT LENGTH		LENGTH OF FLAT
	ROUND OR FLATTED	SLOTTED	
A	—	5/8	—
C	—	3/4	—
D	7/8	7/8	.375 $\pm 10\%$
E	1	1	.500 "
G	1 1/4	1 1/4	.625 "
H	1 1/2	1 1/2	.625 "
J	2	2	.625 "
K	2 1/2	2 1/2	2.125 "

SWITCH	
A	NO SWITCH
B	SPSTSW
C	DPSTSW

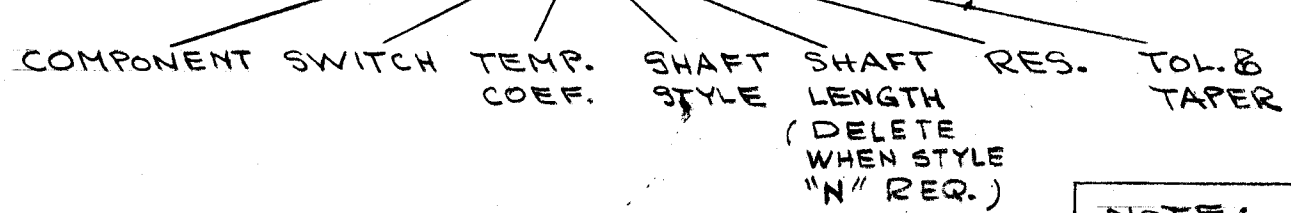
SHAFT STYLE	
F	FLATTED
R	ROUND
S	SLOTTED
X	LOCKING (SLOTTED)
N	NO SHAFT

TEMP. COEF.	
S	STANDARD 160 PP/M
Q	SPECIAL 20 PPM



TYPE DESIGNATION TO BE IN FOLLOWING FORM.

RA 101 A S F D 103 A



NOTE:
STANDARD SHAFT UNITS ARE SUPPLIED WITH ONE (1) NICKEL PLATED MACHINED HEX MTG. NUT AND ONE (1) INTERNAL TOOTH LOCK WASHER

REF: S401-106 SERIES 43

ISSUE	ITEM	CHANGED FROM	DATE	CN. NO.	DRAFTS	CHECKER	ENG. APP.
E		SLOT DIM. WAS 1/16	7-19-66	16584	RME	QCB	MM
D	1	DIMS. 5/8 WAS 9/16, 25/32 WAS 3/4, 15/32 WAS 1 1/8 - PICT. NO SHAFT ADDED ON SHAFT CHART N, NO SHAFT ADDED ON RES. CHART 5 & 640 ADDED	3-4-66	15900	G.D.L.	QCB	Q
C	1	TITLE CORRECTED	4/2/57	3	H.D.	P.R.A.T.	
B	1	COMPLETE REVISION	10/5/54	2	C.D.D.	J.A.R.	

TOLERANCES		SCALE:
ALL OTHERS	DEC. DIM. \pm FRAC. DIM. \pm ANGULAR DIM. \pm	DRILL, PUNCH, COMMERCIAL STOCK SIZES AND MANUFACTURERS TOLERANCES ARE NOT INCLUDED.

MODEL	PROJECT NO.	ASS'Y. NO.	DATE

REQ.	ITEM	PART NO.	DESCRIPTION	SYMBOL
			THE TECHNICAL MATERIEL CORP. MAMARONECK. NEW YORK	
			RESISTOR, VARIABLE	
			2 WATT	
			TYPE & TEMPER	CDD. 10-S-54
			HEAT TREAT. SPEC.	QCB
			FINISH & SPEC. NO.	RA 101 E