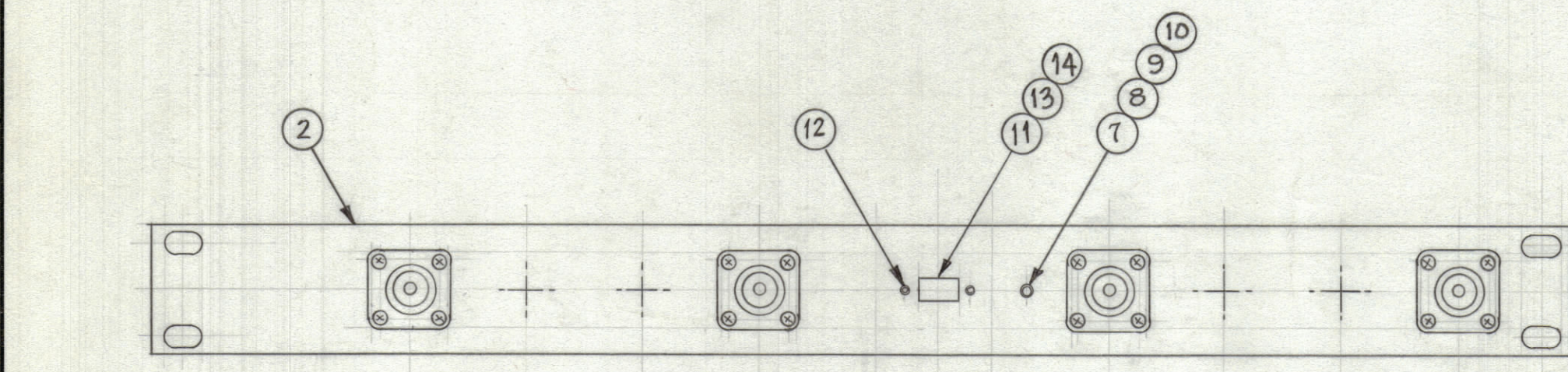
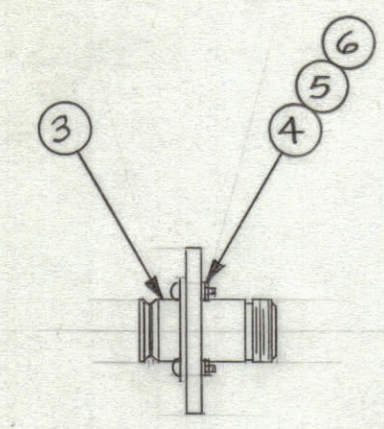
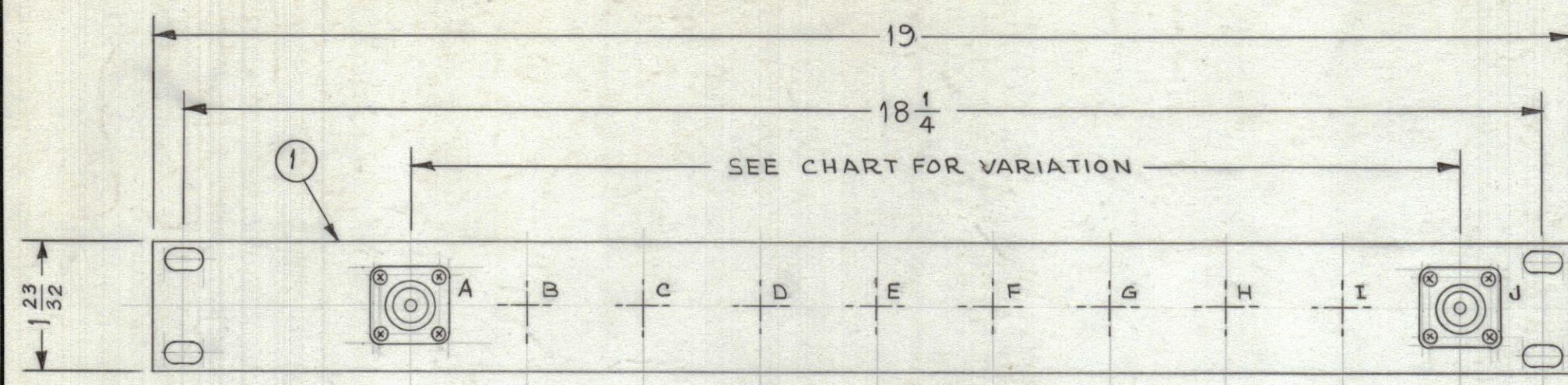


REVISIONS							
ZONE	SYM	DESCRIPTION	DATE	E.M.N. NO.	DRAFT	CHKD	APPD
Ø		ORIGINAL RELEASE FOR PRODUCTION	1-8-65		file		



RF PATCH PANEL	TMC MODEL NO	ITEM 1	ITEM 2	ITEM 3	PANEL LAYOUT
NO.1	QDP-PA-111-1	LD-1683-1/MS-4193-1		10	A B C D E F G H I J
	QDP-PA-111-2	LD-1683-2/MS-4193-2		9	A C D E F G H I J
	QDP-PA-111-3	LD-1683-3/MS-4193-3		9	A C D E F G H I J
	QDP-PA-111-4	LD-1683-4/MS-4193-4		8	A B C D G H I J
	QDP-PA-111-5	LD-1683-5/MS-4193-5		9	B C D E F G H I J
NO.2	QDP-PA-111-6	LD-1683-6/MS-4193-6		9	A B C D E F G H I
	QDP-PA-111-7		LD-1683-7/MS-4194	8	A B C D G H I J
	QDP-PA-111-8	LD-1683-8/MS-4193-8		9	A B C D F G H I J
NO.3	QDP-PA-111-9	LD-1683-9/MS-4193-9		8	A B C D G H I J
	QDP-PA-111-10	LD-1683-10/MS-4193-10		9	A B C D E F G H I
	QDP-PA-111-11	LD-1683-11/MS-4193-11		8	A B C D G H I J
	QDP-PA-111-12	LD-1683-12/MS-4193-12		9	A B C D E F G H I

SUPPLIED BY CUSTOMER

REQ'D.	ITEM	PART NUMBER	DESCRIPTION	SYMBOL
1	14		LAMP, 28 VOLT P/O ITEM 11	
3	13		COLOR CHIPS - P/O ITEM 11	
2	12		SCREW FHMS #3-48 X 1/4 LG	
1	11		SWITCH, LIGHTED, 3 POSITION, 2 SPDT SELECTION	
1	10	LWE06MRN	WASHER LOCK SPLIT	
1	9	NTH0632BN	NUT HEX #6-32	
1	8	SCFP0632BN6	SCREW, FHMS #6-32 X 3/8 LG.	
1	7	CU-102-3	CLAMP, CABLE	
420	6	NTH0440BN8	NUT, HEXAGON, 4-40	
420	5	LWE04MRN	WASHER LOCK EXTERNAL #4	
420	4	SCBPO440BN8	SCREW, MACHINE 4-40	
105	3	JJ-168	CONNECTOR, ADAPTER, QDS-N	
1	2	LD-1683-7/MS-4194	PANEL, FRONT	
11	1	LD-1683- /MS-4193-	PANEL, FRONT	

SEE CHART

MARTINENGO LIST OF MATERIAL					
MATERIAL ALUMINUM 3/16 THICK 2023-T3			THE TECHNICAL MATERIEL CORP. MAMARONECK, NEW YORK		
FINISH SEE LD-1683			TITLE ASSEMBLY, RF PATCH PANEL NO.1 NO.2 AND NO.3		
UNLESS OTHERWISE SPECIFIED DIMENSIONS ARE IN INCHES AND INCLUDE CHEMICALLY APPLIED OR PLATED FINISHES	DRAWN M. TANTILLO	DATE 1-4-65	FINAL APPROVAL		DATE
DECIMALS .X ± .05 .XX ± .01 .XXX ± .005	TOLERANCES	FRACTIONS ± 1/64 ANGLES ± 0° 30'	ELECT. DES. 1/8-65	DATE 1-8-65	REV. LTR.
			QDP-PA-111		

SEE CHART		
QTY./UNIT	MODEL USED ON	ASS'Y. NO.
SCALE 1:2	CODE	

NOTES

THE CONTENTS OF THIS DRAWING ARE THE EXCLUSIVE PROPERTY OF THE TECHNICAL MATERIEL CORP. ITS UNAUTHORIZED USE OR REPRODUCTION IN WHOLE OR IN PART IS STRICTLY FORBIDDEN.