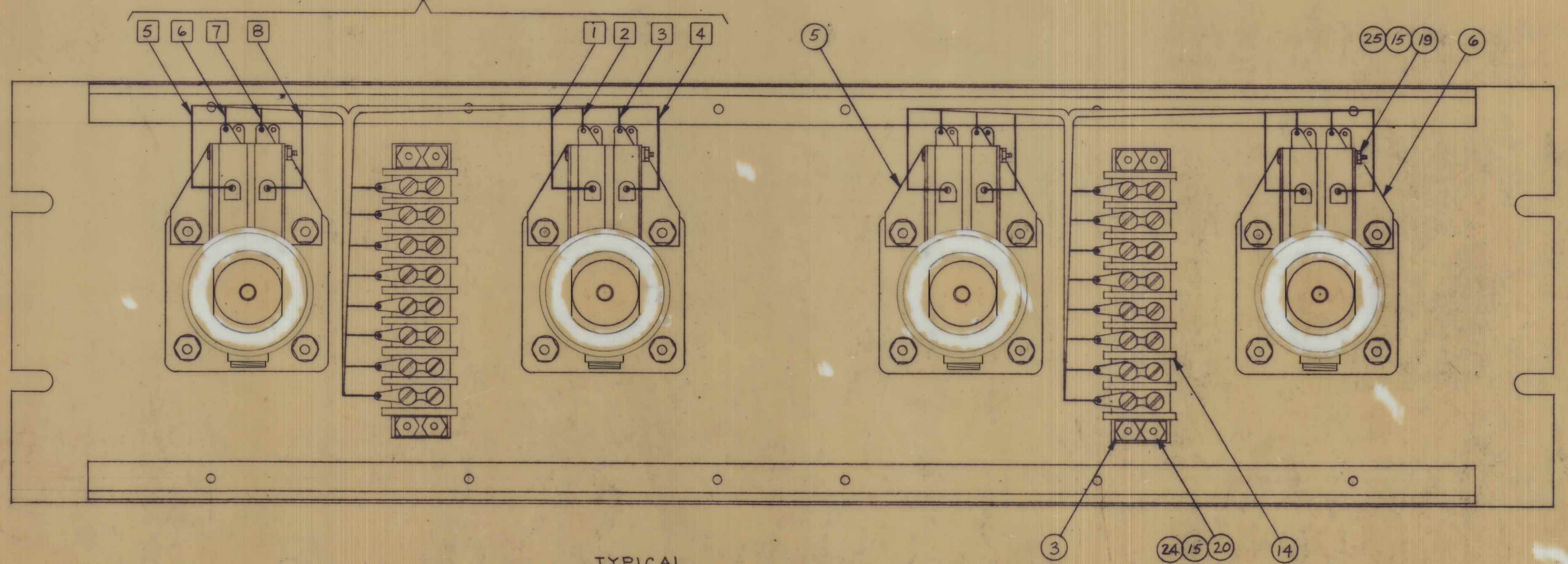
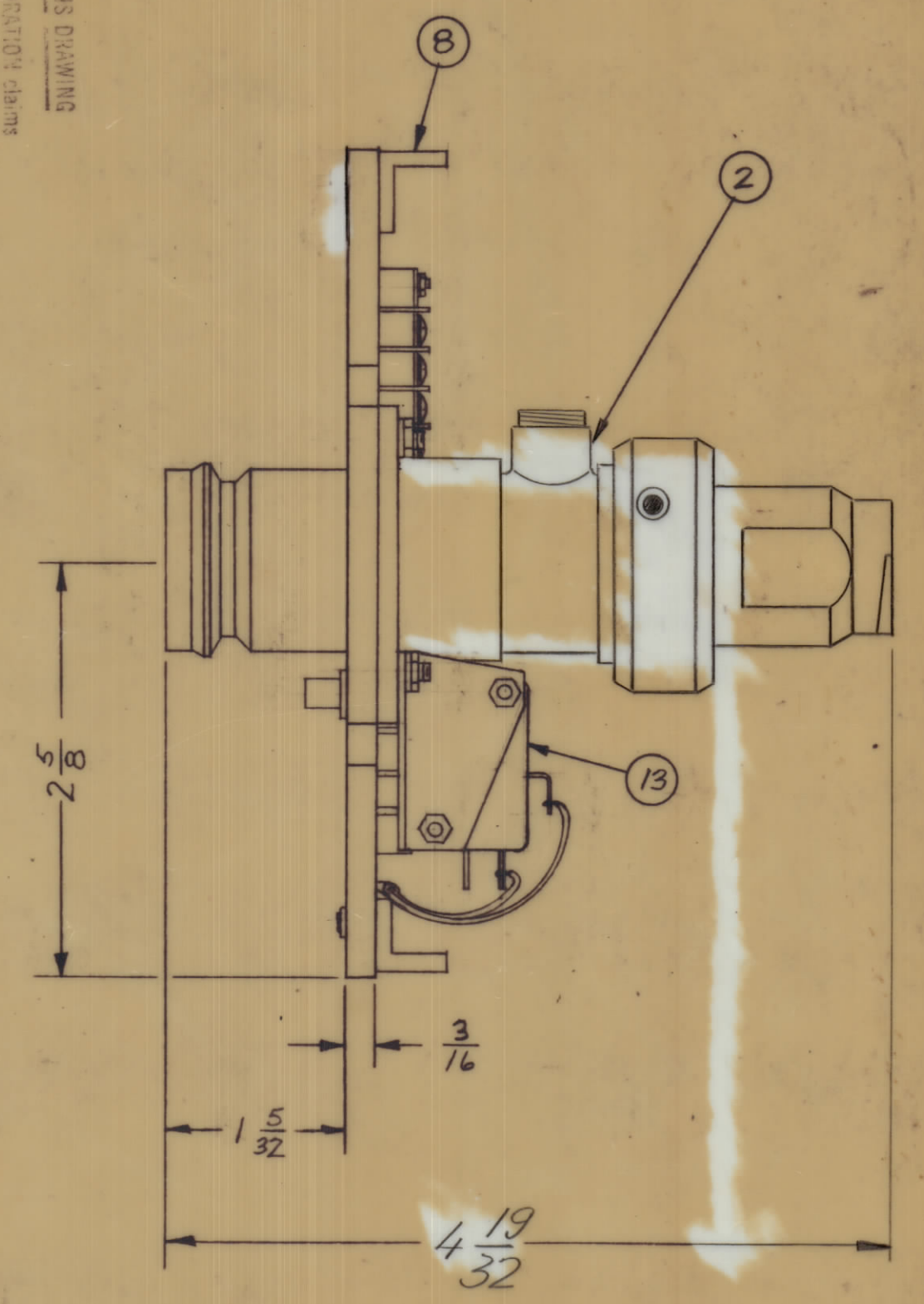
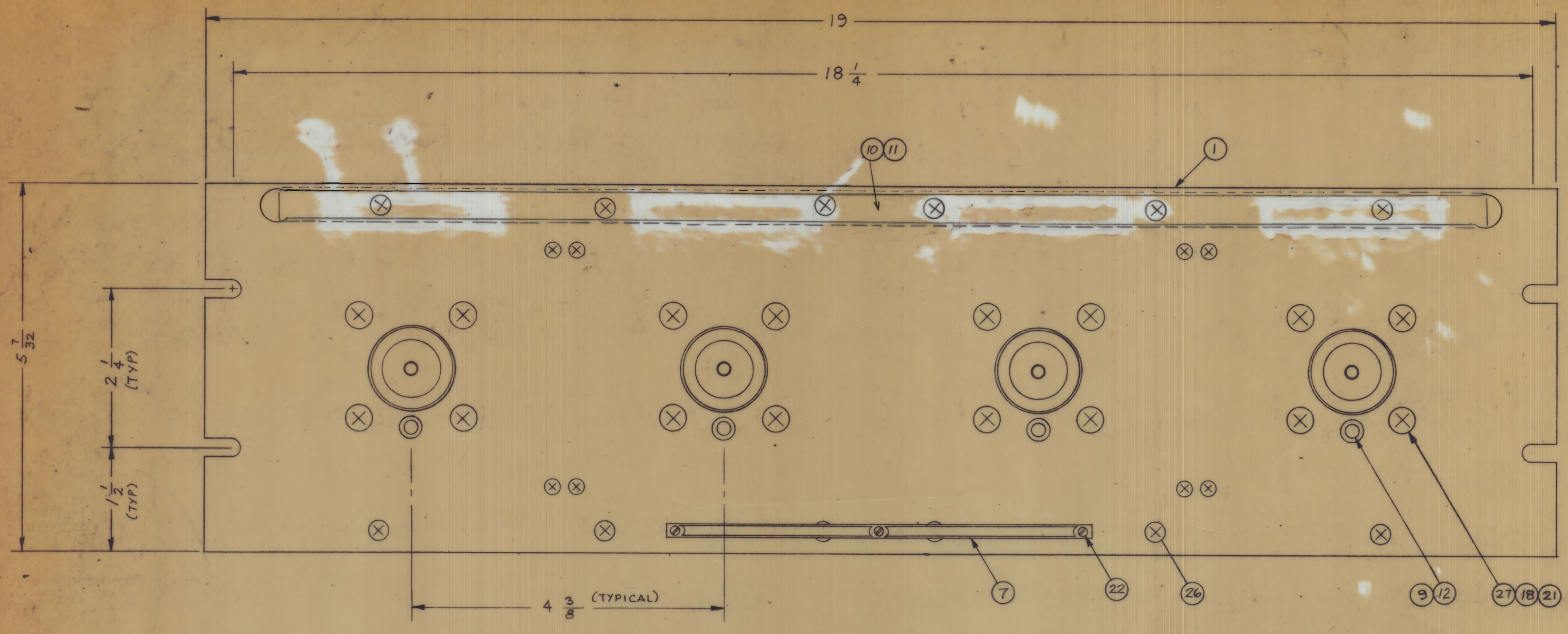


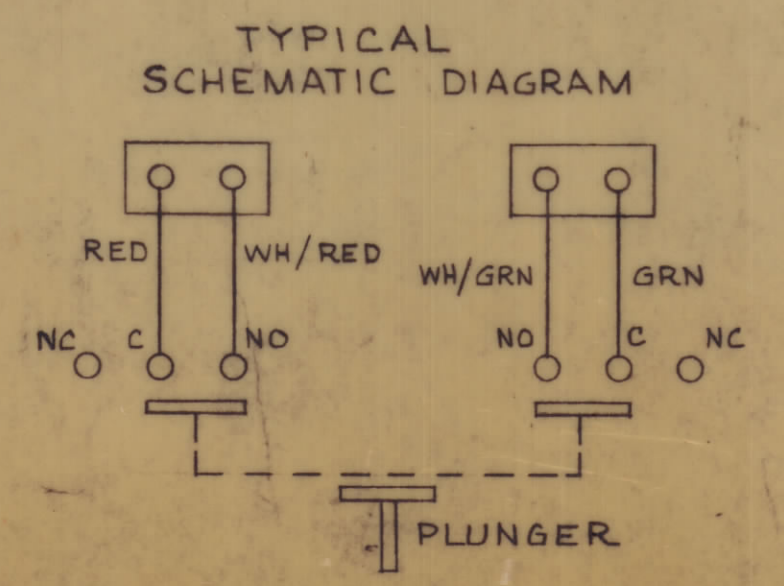
REVISIONS						
ZONE	SYM	DESCRIPTION	DATE	E.M.N. NO.	DRAWN	APPROV
	X	EXPERIMENTAL RELEASE	6/15/70			
	Δ	ORIGINAL RELEASE	6/14/70		CS	
		ITEM 4 MS 576 & ITEM 23 DELETED		2205U		
		PICTORIAL UPDATED				

NOTICE TO PERSONS RECEIVING THIS DRAWING
 THE TECHNICAL MATERIEL CORPORATION claims proprietary right in the material disclosed herein. This drawing is loaned in confidence and is not to be reproduced or used to manufacture, any like, copies or any other reproduction without the express written permission from THE TECHNICAL MATERIEL CORPORATION. This drawing is loaned for technical assistance and is subject to recall at any time.
 Property of
 THE TECHNICAL MATERIEL CORPORATION
 MAMARONECK, NEW YORK



ITEM 15 INSTALLATION (COLOR CODE)

- 1 RED
- 2 WHITE/RED
- 3 WHITE/GREEN
- 4 GREEN
- 5 RED
- 6 WHITE/RED
- 7 WHITE/GREEN
- 8 GREEN



ITEM 16 SUPPLIED AS LOOSE ITEM

NOTES

REQ'D.	ITEM	PART NUMBER	DESCRIPTION	SYMBOL
	16	27	SCFP1032 BN 8	SCREW, MACHINE
	12	26	SCFP0632 BN 5	SCREW, MACHINE
	8	25	SCBP0440BN16	SCREW, MACHINE
	8	24	SCFP0440BN10	SCREW, MACHINE
		23		
	3	22	SFB0256 SN 3	SCREW, THREAD CUTTING
	16	21	NTH 1032 BN 10	NUT, HEX
	8	20	NTH 0440 BN 8	NUT, HEX
	8	19	NTH 0440 BN 6	NUT, HEX
	16	18	LWE 10 MRN	LOCK WASHER, EXTERNAL
	16	17	LWE 04 MRN	LOCK WASHER, EXTERNAL
	2	16	TM-105-B-AR	FANNING STRIP (LOOSE ITEM)
	2	15	CA-345	CABLE, ASSEMBLY
	2	14	TM-102-B	TERMINAL SWITCH, BARRIER TYPE
	8	13	SW-189	SWITCH, MICRO, PUSH
	4	12	BB-115	BEARING OILITE (P/b A-1349)
	4	11	PX-250	FREQUENCY, CARD
	4	10	PX-249	GUARD, FREQ TAB
	4	9	PM-427-1	PLUNGER, SWITCH
	2	8	PM-490	BRACE, PANEL
	1	7	NP-250	NAMEPLATE, IDENTIFICATION
	4	6	MS-987	BRACKET, SWITCH, RIGHT
	4	5	MS-986	BRACKET, SWITCH, LEFT
		4		
	4	3	MS-154-1	STRADDLE PLATE
	4	2	TCA-FX 5875/QDL	CONNECTOR RECEPTACLE
	1	1	A-1349-1	FRONT PANEL

MATERIAL		LIST OF MATERIAL	
ALUMINUM		THE TECHNICAL MATERIEL CORP. MAMARONECK, NEW YORK	
TMC SMOOTH GRAY SEMI-GLOSS ENAMEL		TITLE QUICK DISCONNECT PATCH PANEL ASSEMBLY (QDL TO QDL)	
UNLESS OTHERWISE SPECIFIED DIMENSIONS ARE IN INCHES AND INCLUDE CHEMICALLY APPLIED OR PLATED FINISHES		DRAWN L.L. DATE 7/13/70	
TOLERANCES		CHECKED DATE 2-3-70	
FRACTIONS		DATE 2-5-70	
NECH. DES. DATE 2-5-70		SYMBOL QDP-FX5875C2S4	

QDP-FX-5875C2S4
 SCALE
 MODEL USED OR
 COBK
 ASS'Y. NO.
 THE CONTENTS OF THIS DRAWING ARE THE EXCLUSIVE PROPERTY OF THE TECHNICAL MATERIEL CORP. ITS UNAUTHORIZED USE OR REPRODUCTION IN WHOLE OR IN PART IS STRICTLY FORBIDDEN.

QDP-FX5875C2S4