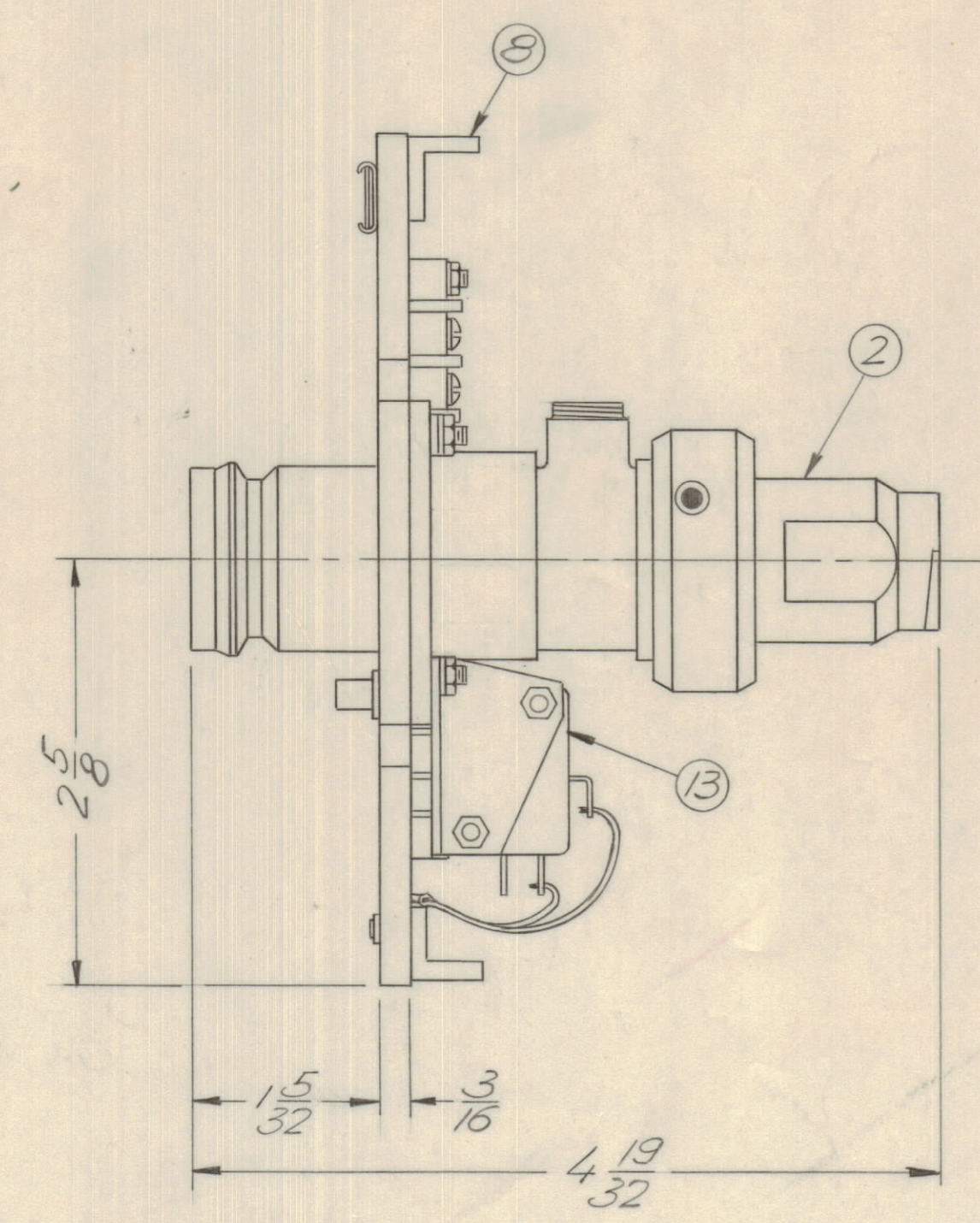
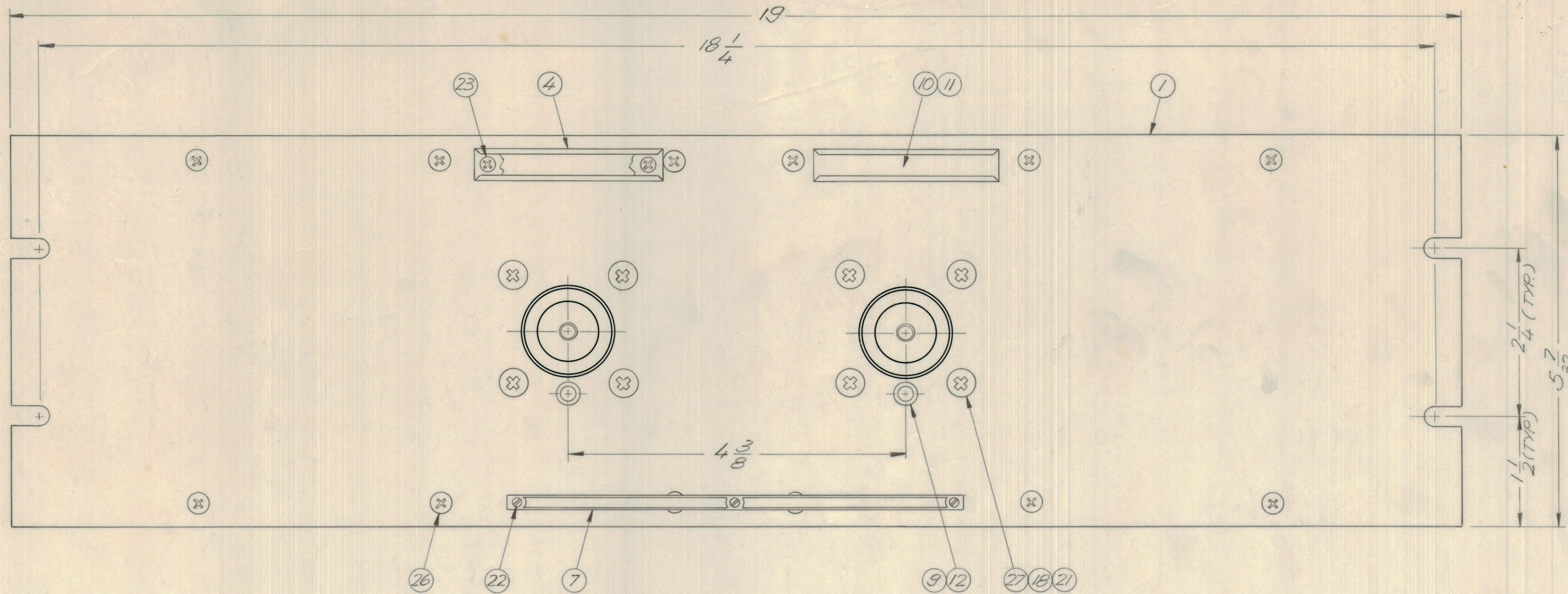
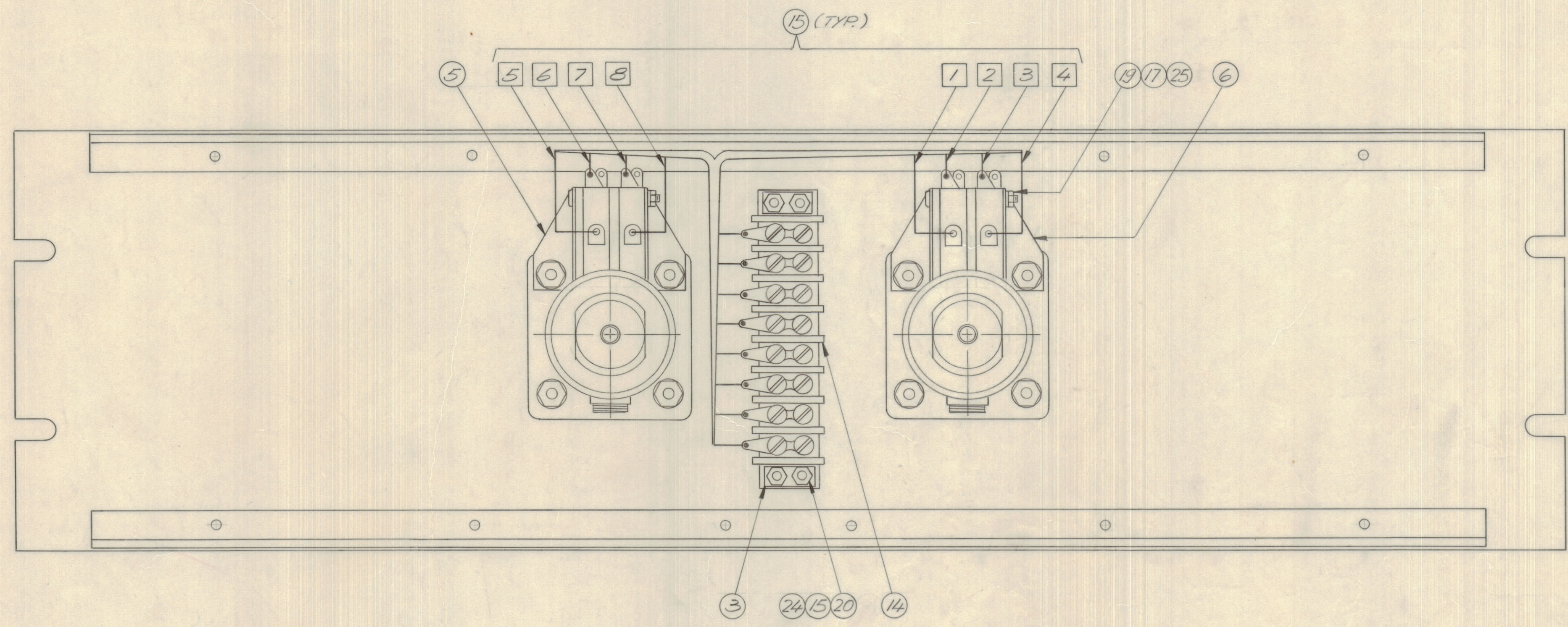


REVISIONS							
E.M.N. NO	DRAFT	CHKD	ZONE	LTR	DESCRIPTION	DATE	APPROVED
	CLM/B			X	EXP. RELEASE	8/5/70	
	CS			0	ORIGINAL RELEASE	5/9/72	



NOTE:
ITEM 16 SUPPLIED AS LOOSE ITEM

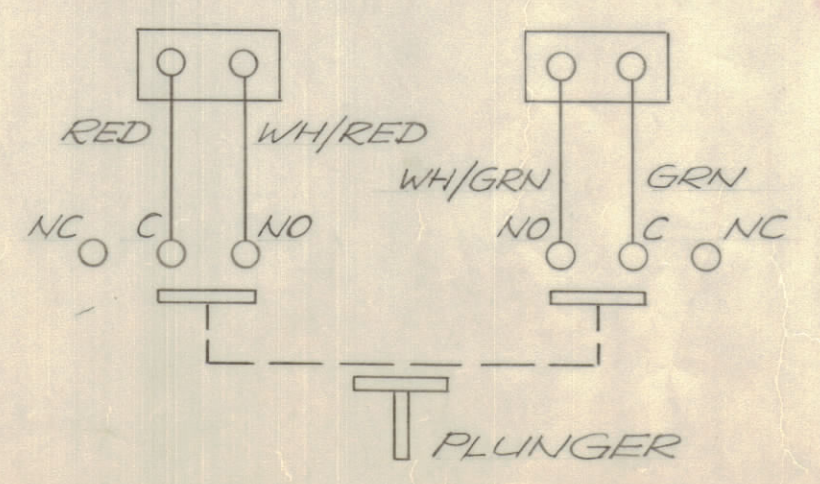


QTY.	ITEM	PART NO.	DESCRIPTION	SYMBOL
8	27	SCFP1032BN8	SCREW, MACHINE	
12	26	SCFP0632BN5	SCREW, MACHINE	
4	25	SCBP0440BN16	SCREW, MACHINE	
4	24	SCFP0410BN10	SCREW, MACHINE	
4	23	SCFP0348BN4	SCREW, MACHINE	
3	22	SFB 0256SN3	SCREW, THREAD CUTTING	
8	21	NTH1032BN10	NUT, HEX.	
4	20	NTH0440BN8	NUT, HEX.	
4	19	NTH0440BN6	NUT, HEX.	
8	18	LWE 10 MRN	LOCK WASHER, EXTERNAL	
8	17	LWE 04 MRN	LOCK WASHER, EXTERNAL	
1	16	TM-105-B-AR	FANNING STRIP (LOOSE ITEM)	
1	15	CA 345	CABLE, ASSEMBLY	
1	14	TM 102-B	TERMINAL SWITCH, BARRIER TYPE	
4	13	SW 189	SWITCH, MICRO, PUSH	
2	12	BB 115	BEARING OILITE (P10 MS 5919)	
2	11	PX 250	FREQUENCY, CARD	
2	10	PX 249	GUARD, FREQ. TAB	
2	9	PM 427-1	PLUNGER, SWITCH	
2	8	PM 490	BRACE, PANEL	
1	7	NP 250	NAMEPLATE, IDENTIFICATION	
2	6	MS 987	BRACKET, SWITCH, RIGHT	
2	5	MS 986	BRACKET, SWITCH, LEFT	
2	4	MS 576	CARD HOLDER	
2	3	MS 154-1	STRADDLE PLATE	
2	2	TCA-FX 5875/ODL	CONNECTOR RECEPTACLE	
1	1	MS 5919-1	FRONT PANEL	

ITEM 15 INSTALLATION
(COLOR CODE)

- | | |
|---------------|---------------|
| 1 RED | 5 RED |
| 2 WHITE/RED | 6 WHITE/RED |
| 3 WHITE/GREEN | 7 WHITE/GREEN |
| 4 GREEN | 8 GREEN |

TYPICAL
SCHEMATIC DIAGRAM



QTY / UNIT	MODEL USED ON	ASSY NO.
1	QDP-FX 5875C2S2	
APPLICATION		
CODE		

UNLESS OTHERWISE SPECIFIED
DIMENSIONS ARE IN INCHES
AND INCLUDE CHEMICALLY APPLIED
OR PLATED FINISHES

TOLERANCES ON
DECIMALS FRACTIONS
.X ± .05 ± 1/64
.XX ± .01 ANGLES
.XXX ± .005 ± 0°-30°

MATERIAL ALUMINUM
FINISH TMC SMOOTH GRAY
SEMI-GLOSS ENAMEL

FINAL APPROVAL	DATE
MECH. DES. <i>[Signature]</i>	8-5-70
ELECT. DES. <i>[Signature]</i>	DATE
CHECKED <i>[Signature]</i>	DATE 8-5-70
DRAWN <i>[Signature]</i>	DATE 7/10/70

THE TECHNICAL MATERIEL CORP.
MAMARONECK, NEW YORK

QUICK DISCONNECT
PATCH PANEL ASSEMBLY
(QDL TO FX)

SIZE CODE IDENT NO. DWG NO. ISSUE
D 82679 QDP-FX 5875C2S2

SCALE FULL SHEET OF

NOTICE TO PERSONS RECEIVING THIS DRAWING
THE TECHNICAL MATERIEL CORPORATION claims proprietary right in the material disclosed herein.
This drawing is issued in confidence for engineering information only and may not be reproduced or used
to manufacture anything shown hereon without permission from THE TECHNICAL MATERIEL CORPORATION
to the user. This drawing is loaned for mutual assistance and is subject to recall at any time.