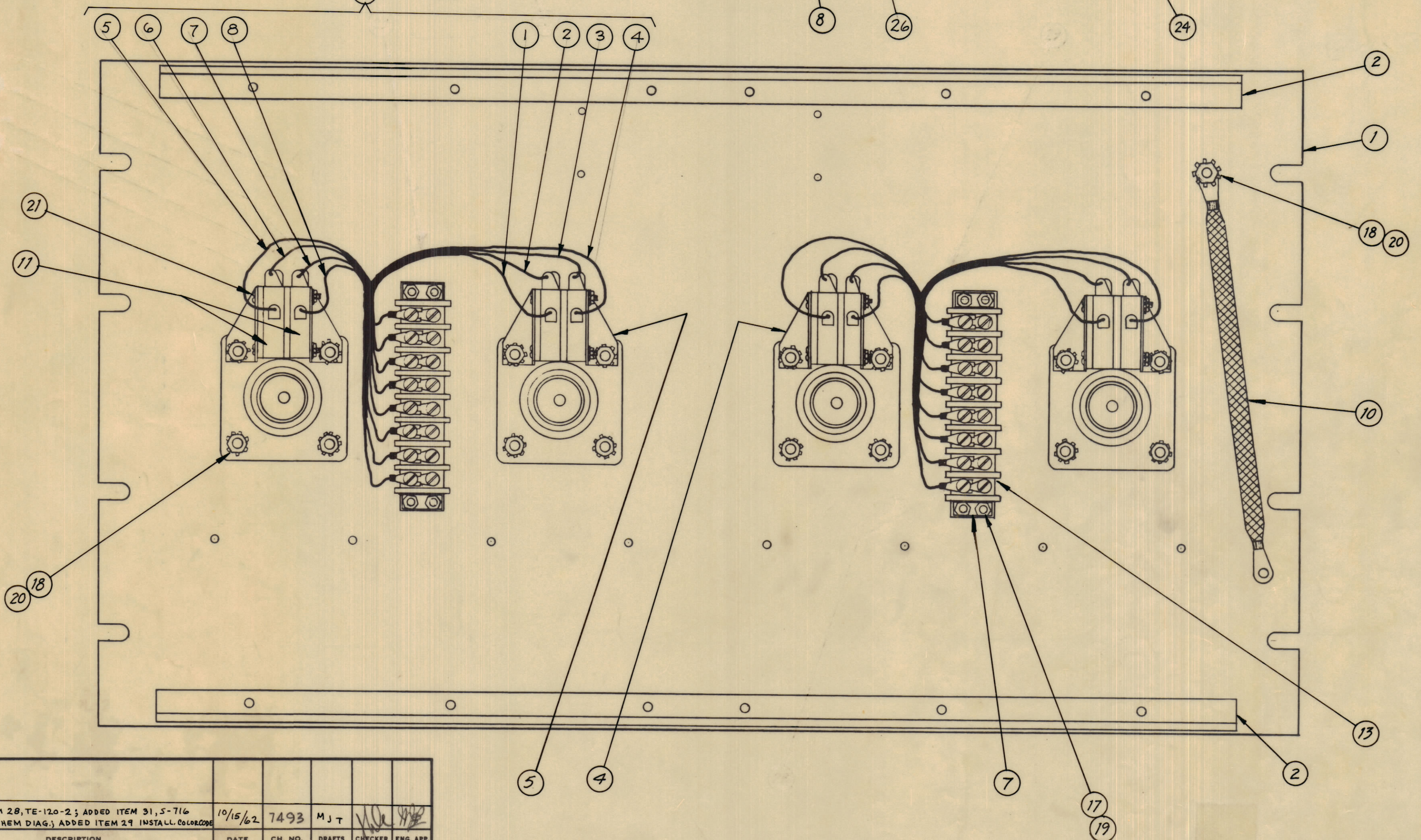
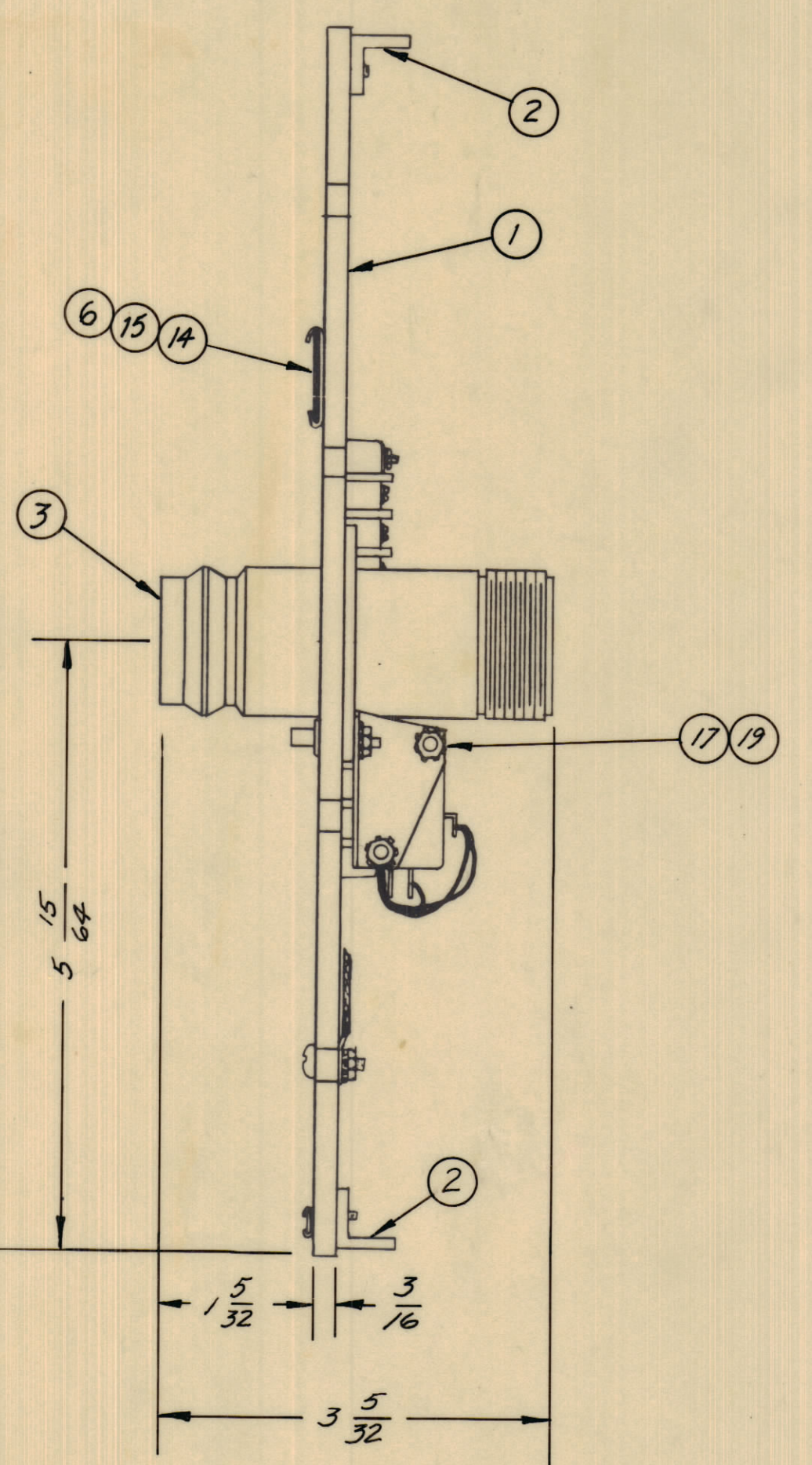


ITEM 29 INSTALLATION (COLOR CODE)

- 1 RED
- 2 WHITE/RED
- 3 WHITE/GREEN
- 4 GREEN
- 5 RED
- 6 WHITE/RED
- 7 WHITE/GREEN
- 8 GREEN



NOTE:
ITEM 30 SUPPLIED AS LOOSE ITEM.

X	ITEM	PART NO.	DESCRIPTION	SYMBOL
31	S-716		TEST PROCEDURE	
30	TM-105-B-A-R		FANNING STRIP (LOOSE ITEM)	
29	CA-345		CABLE, ASSY	
	28	DELETE		
27	SCFP0348BN4		SCREW, MACHINE	
26	SFB0256SN3		SCREW, MACHINE	
25	SCFP1032BN9		SCREW, MACHINE	
24	SCFP0632BN5		SCREW, MACHINE	
23	SCBP1032BN8		SCREW, MACHINE	
22	SCFP0440BN10		SCREW, MACHINE	
21	SCBP0440BN16		SCREW, MACHINE	
20	NTH1032BN12		NUT, HEX	
19	NTH0440BN6		NUT, HEX	
18	LWE10MRN		WASHER, LOCK, EXTERNAL	
17	LWE04MRN		WASHER, LOCK, EXTERNAL	
16	BB-115		BEARING OILITE (P/O MS-2673)	
15	PX-103-1		TAB, PAPER	
14	PX-623-1		GUARD, PLASTIC	
13	TM-102-B		TERMINAL STRIP, BARRIER TYPE	
12	PM-427-1		PLUNGER, SWITCH	
11	SW-189		SWITCH, MICRO	
10	CA-409-69-6.00		CABLE ASSY, GROUND	
9	NP-394		NAMEPLATE, WARNING	
8	NP-250		NAMEPLATE, IDENTIFICATION	
7	MS-154-1		PLATE, STRADDLE	
6	MS-2669		HOLDER, CARD	
5	MS-987		BRACKET, SWITCH, RIGHT	
4	MS-986		BRACKET, SWITCH, LEFT	
3	JJ-174		CONNECTOR, RECEPTACLE	
2	PM-490		BRACE, PANEL	
1	MS-2673		PANEL, FRONT	

BYM	ZONE	DESCRIPTION	DATE	CH. NO.	DRAFTS	CHECKER	ENG. APP.
A	C2, D1 G1, F1	DELETE ITEM 28, TE-120-2; ADDED ITEM 31, S-716 ADDED TYP. SCHEM. DIAG.; ADDED ITEM 21 INSTALL. COLOR CODE	10/15/62	7493	MJT		

UNLESS OTHERWISE SPECIFIED:
DIMENSIONS ARE IN INCHES
TOLERANCES ON FRACTIONS ± 1/64 DECIMALS ± .005 ANGLES ± 1/2°

MAXIMUM ALLOWABLE TOLERANCES HAVE BEEN DETERMINED AND ANY DEVIATIONS WILL BE CAUSE FOR REJECTION. REMOVE ALL BURRS & SHARP EDGES

REQ. PER UNIT	MODEL	SECTION	ABBY. NO.	DATE
1	QDP-9F254			12-7-61

STOCK SIZE		THE TECHNICAL MATERIEL CORP. MAMARONECK, NEW YORK	
ALUMINUM		QUICK DISCONNECT PANEL ASSY (LC TO QDL)	
MATERIAL		FINISH & SPEC. NO.	
TYPE & TEMPER	HEAT TREAT, SPEC.	FINAL APPROVAL	
TMC SMOOTH GRAY SEMI-GLOSS ENAMEL		DRWN	CHECKED
		QDP-9F254	
ELEC. DES. APP.		MECH. DES. APP.	
		SHEET OF	

QDP-9F254