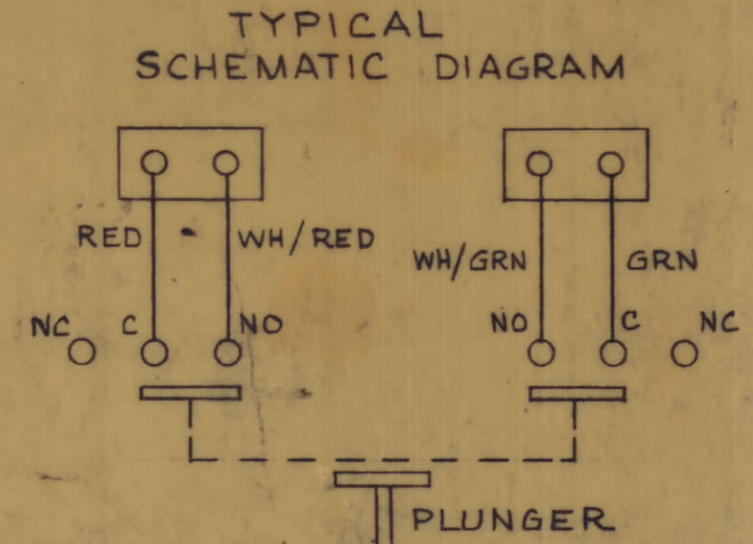


ITEM 15 INSTALLATION (COLOR CODE)

- 1 RED
- 2 WHITE/RED
- 3 WHITE/GREEN
- 4 GREEN
- 5 RED
- 6 WHITE/RED
- 7 WHITE/GREEN
- 8 GREEN



ITEM 16 SUPPLIED AS LOOSE ITEM

NOTES

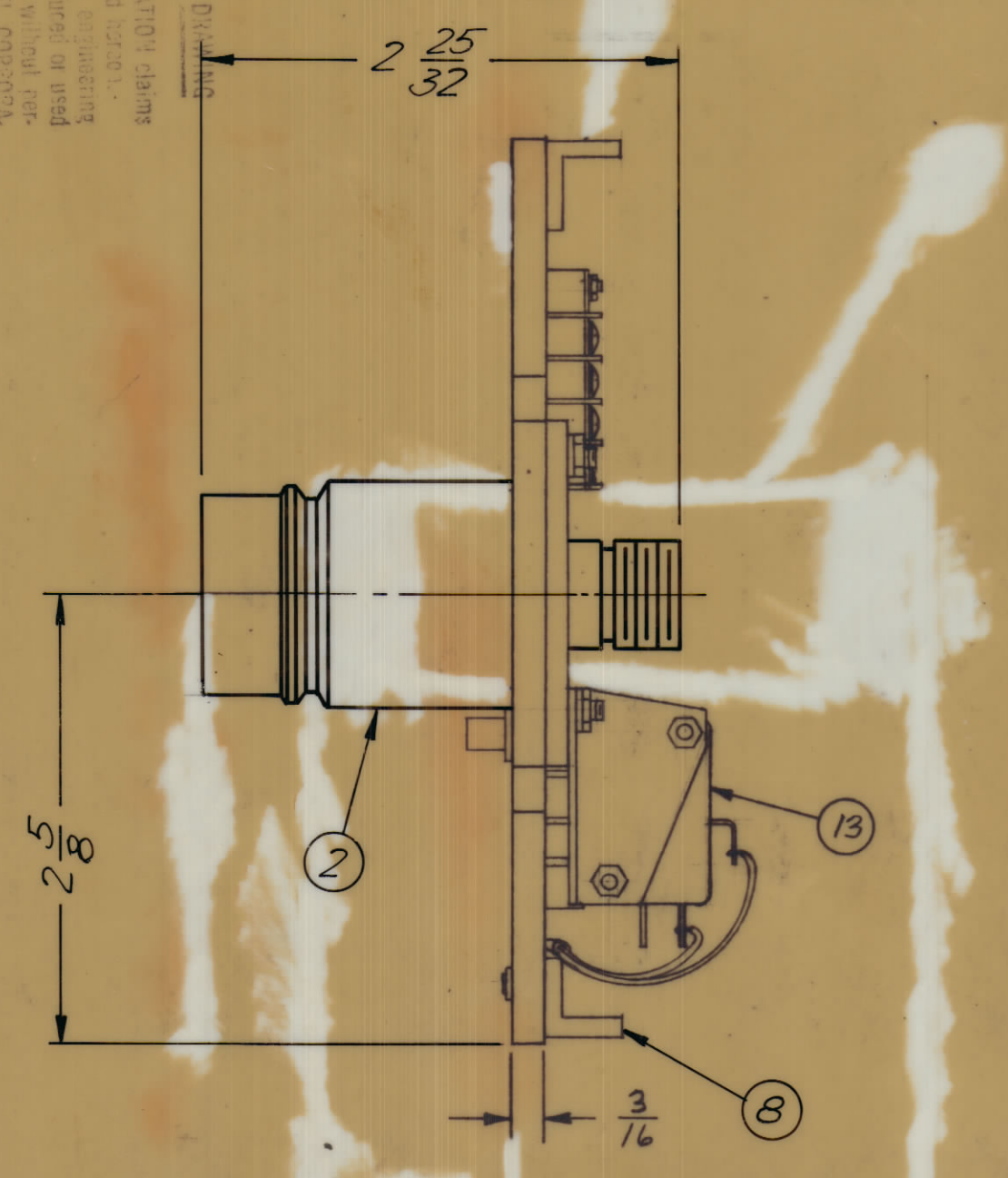
QTY/UNIT	QDP-6C2S4	ABS'T. NO.
SCALE	CODE	

THE CONTENTS OF THIS DRAWING ARE THE EXCLUSIVE PROPERTY OF THE TECHNICAL MATERIEL CORP. ITS UNAUTHORIZED USE OR REPRODUCTION IN WHOLE OR IN PART IS STRICTLY FORBIDDEN.

REVISIONS						
ZONE	SYM	DESCRIPTION	DATE	E.M.N. NO.	DRFT	CHKD
X		EXPERIMENTAL RELEASE	7/13/70			
0		ORIGINAL RELEASE FOR PROD.	7/13/70			
A		ITEM 4 MS-976 & ITEM 23 0348THD SCREW MACHINE DEL., PICTORIAL UPDATED	4-4-84	2350	GDL	

NOTICE TO PERSONS RECEIVING THIS DRAWING: THE TECHNICAL MATERIEL CORPORATION deems proprietary right in the design and construction information herein and hereby reserves the right to make such changes as may be necessary to meet the needs of the customer. This drawing is issued as a guide only and is not to be used as a basis for the manufacture of parts. The user is advised to consult the manufacturer for the latest information concerning this drawing and to be sure to read all instructions and to be sure to read all instructions and to be sure to read all instructions.

Property of:  
THE TECHNICAL MATERIEL CORPORATION  
MAMARONECK, NEW YORK



REQ'D.	ITEM	PART NUMBER	DESCRIPTION	SYMBOL
X	28	S-716	TEST PROCEDURE	
16	27	SCFP1032 BN 8	SCREW, MACHINE	
12	26	SCFP0632 BN 5	SCREW, MACHINE	
8	25	SCBP0440BN16	SCREW, MACHINE	
8	24	SCFP0440BN10	SCREW, MACHINE	
	23			
3	22	SFB0256 SN 3	SCREW, THREAD CUTTING	
16	21	NTH1032 BN10	NUT, HEX	
8	20	NTH0440BN 8	NUT, HEX	
8	19	NTH0440 BN 6	NUT, HEX	
16	18	LWE10 MRN	LOCK WASHER, EXTERNAL	
16	17	LWE04 MRN	LOCK WASHER, EXTERNAL	
2	16	TM-105-8-AR	FANNING STRIP (LOOSE ITEM)	
2	15	CA-345	CABLE, ASSEMBLY	
2	14	TM-102-B	TERMINAL SWITCH, BARRIER TYPE	
8	13	SW-189	SWITCH, MIRCO, PUSH	
4	12	BB-115	BEARING OILITE (P/b A-1349)	
4	11	PX-250	FREQUENCY, CARD	
4	10	PX-249	GUARD, FREQ TAB	
4	9	PM-427-1	PLUNGER, SWITCH	
2	8	PM-490	BRACE, PANEL	
1	7	NP-250	NAMEPLATE, IDENTIFICATION	
4	6	MS-987	BRACKET, SWITCH, RIGHT	
4	5	MS-986	BRACKET, SWITCH, LEFT	
	4			
4	3	MS-154-1	STRADDLE PLATE	
4	2	JJ-224	CONNECTOR RECEPTACLE	
1	1	A-1349-1	FRONT PANEL	

MATERIAL		LIST OF MATERIAL	
ALUMINUM	THE TECHNICAL MATERIEL CORP.	MAMARONECK, NEW YORK	
FINISH: TMC SMOOTH GRAY SEMI-GLOSS ENAMEL	TITLE: QUICK DISCONNECT PATCH PANEL ASSEMBLY (QDL TO N)	DATE: 7-13-70	DATE: 7-13-70
UNLESS OTHERWISE SPECIFIED DIMENSIONS ARE IN INCHES AND INCLUDE CHEMICALLY APPLIED OR PLATED FINISHES	FRACIONS: 1/16, 1/8, 3/16, 1/2, 5/8, 3/4, 1, 1 1/4, 1 1/2, 2, 2 1/2, 3, 4	ANGLES: ±0° 30'	ANGLES: ±0° 30'
SCALE: 1" = 1"	MECH. DES: GDL	DATE: 7-13-70	DATE: 7-13-70
QDP-6C2S4	QDP-6C2S4	SHEET	REV. LTR.

QDP-6C2S4 A