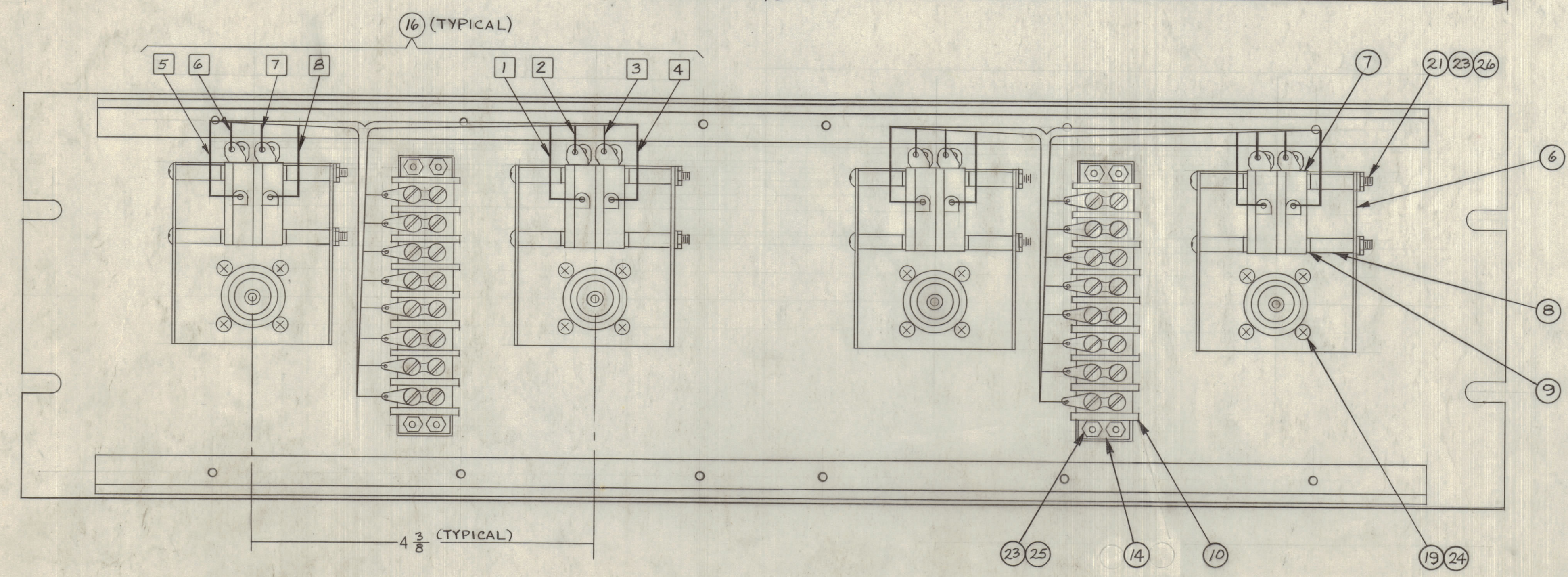
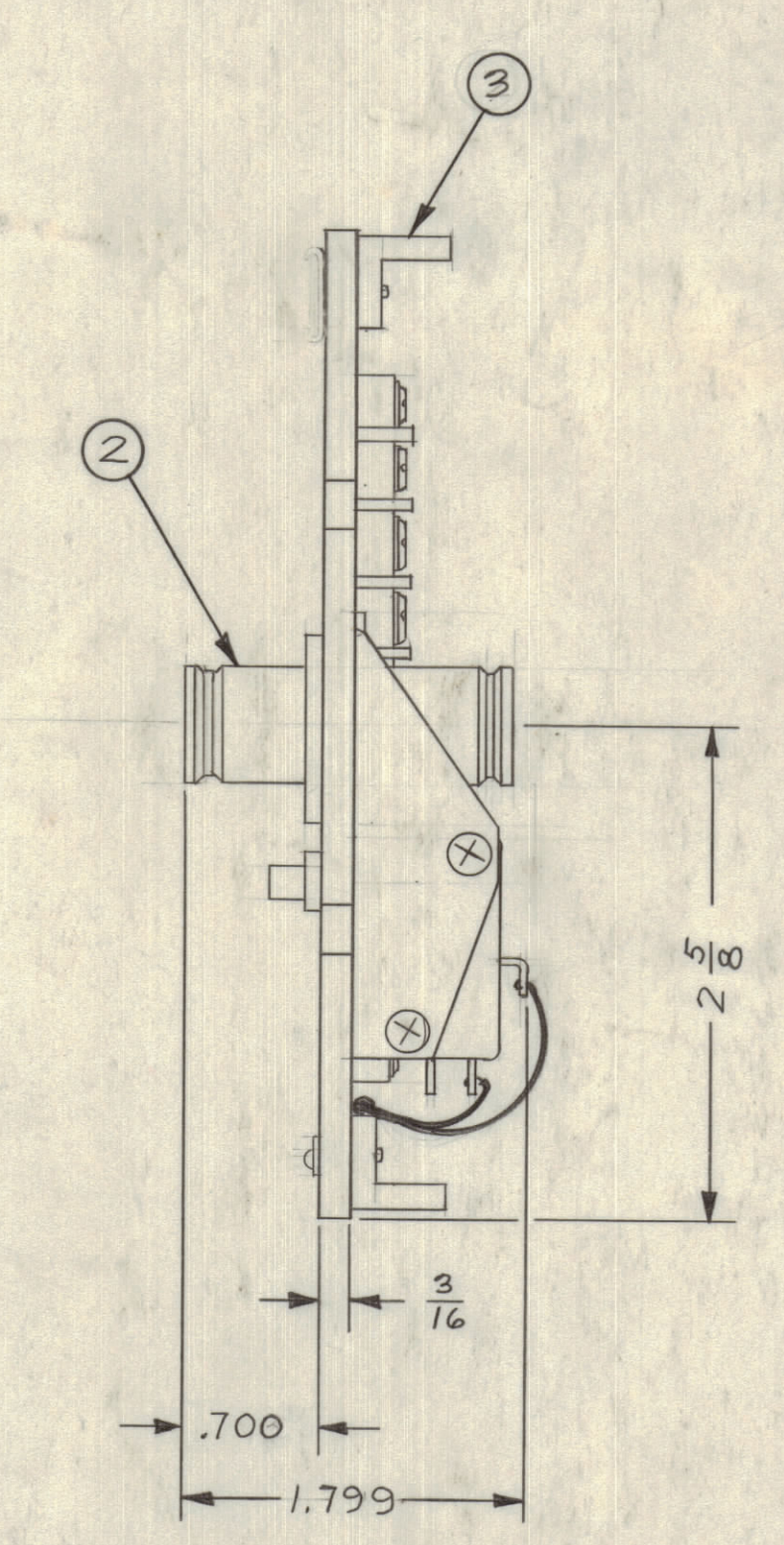
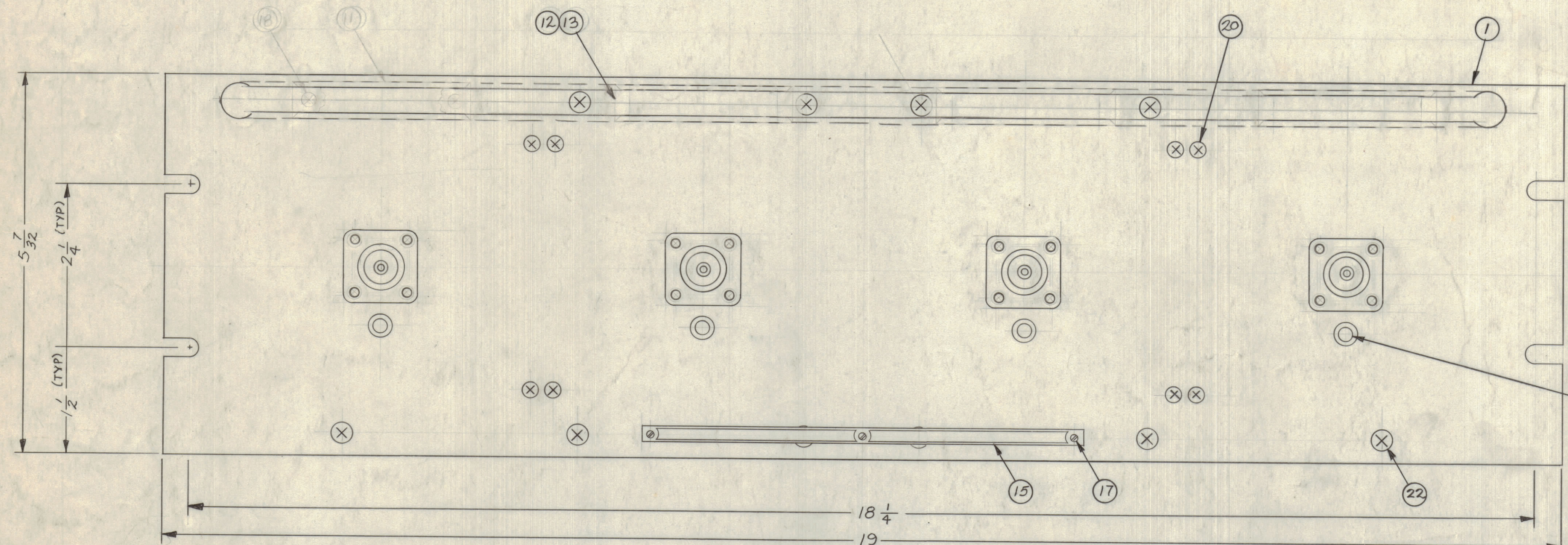


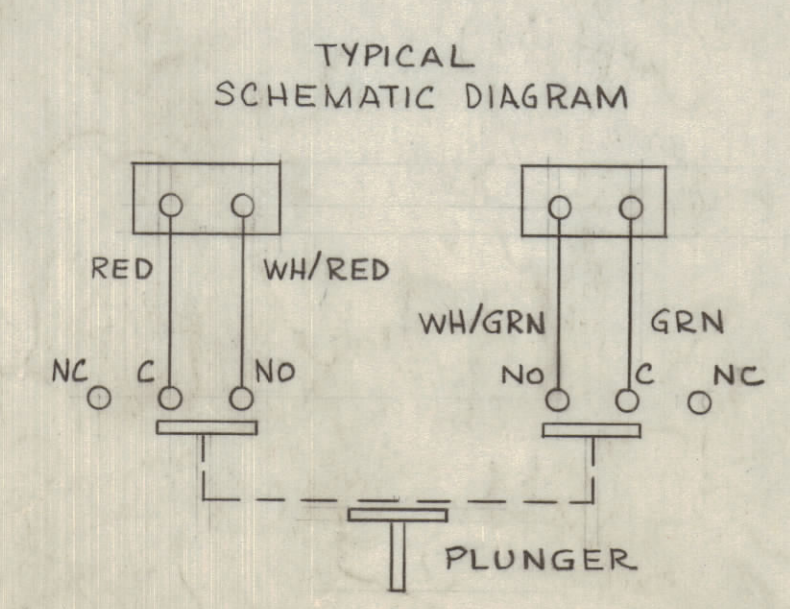
REVISIONS						
ZONE	SYM	DESCRIPTION	DATE	E.M.N. NO.	DRAFT	CHKD
A		ITEM(2) WAS SCFP, (18) WAS (BN4), (5) WAS PM427-2	2-1-66	15695	MM	MM
B		ITEM(5) WAS PM 427-6	12-8-67	18660	MM	EFH
C		ITEM(11) & ITEM(8) DELETED, D.PICT. UPDATED	4-26-84	22055	MM	MM



QTY	ITEM	PART NUMBER	DESCRIPTION	SYMBOL
X	28	S-716	TEST PROCEDURE	
2	27	TM-105-8AR	FANNING STRIP (LOOSE ITEM)	
8	26	NTH0440BN8	NUT, HEXAGON	
8	25	NTH0440BN6	NUT, HEXAGON	
16	24	LWS04MRN	LOCKWASHER, SPLIT	
16	23	LWE04MRN	LOCKWASHER EXTERNAL	
12	22	SCFP0632BN5	SCREW, MACHINE	
8	21	SCBP0440BN36	SCREW, MACHINE	
8	20	SCFP0440BN10	SCREW, MACHINE	
16	19	SCBP0440BN8	SCREW, MACHINE	
X	18			
3	17	SFB0256SN3	SCREW, THREAD CUTTING	
2	16	CA-345	CABLE ASSEMBLY	
1	15	NP-250	NAMEPLATE, IDENTIFICATION	
2	14	MS-154-1	STRADDLE, PLATE	
4	13	PR-106-7	FREQUENCY, TAB	
4	12	PX-396	GUARD, FREQUENCY TAB	
X	11			
2	10	TM-102-8	TERMINAL STRIP, BARRIER TYPE	
16	9	WA-109-17	WASHER, FIBER	
16	8	PM-426	SPACER, SWITCH	
8	7	SW-189	SWITCH, MICRO, PUSH	
4	6	MS-1124	BRACKET, SWITCH	
4	5	PM-427-4	PLUNGER, SWITCH	
4	4	BB-115	BEARING OILITE (Pls A-1448)	
2	3	PM-490	BRACE, PANEL	
4	2	JJ-141	CONNECTOR, RECEPTACLE	
1	1	A-1448	MACHINING FRONT PANEL	

ITEM 16 INSTALLATION COLOR CODE

1 RED	5 RED
2 WHITE/RED	6 WHITE/RED
3 WHITE/GREEN	7 WHITE/GREEN
4 GREEN	8 GREEN



NOTICE TO PERSONS RECEIVING THIS DRAWING
 THE TECHNICAL MATERIEL CORPORATION claims proprietary right in the material disclosed herein. This drawing is issued in confidence for engineering information only and may not be reproduced or used to manufacture anything shown hereon without permission from THE TECHNICAL MATERIEL CORPORATION to the user. This drawing is loaned for mutual assistance and is subject to recall at any time.
 Property of:
 THE TECHNICAL MATERIEL CORPORATION
 MAMARONECK, NEW YORK

ITEM 21 SUPPLIED AS LOOSE ITEM

NOTES

QTY./UNIT	MODEL USED ON	ASSY. NO.
SCALE	CODE	

MATERIAL		THE TECHNICAL MATERIEL CORP. MAMARONECK, NEW YORK	
FINISH	TMC SMOOTH GRAY SEMI-GLOSS ENAMEL	TITLE	PATCH PANEL, QUICK DISCONNECT "QDS" TO "QDS"
UNLESS OTHERWISE SPECIFIED DIMENSIONS ARE IN INCHES AND INCLUDE CHEMICALLY APPLIED OR PLATED FINISHES		DRAWN	M. TANTILLO
DECIMALS	± .05	DATE	11-5-62
XX ± .01		DATE	11/30/62
XXX ± .005		DATE	1/18/63
FRACTIONS	± 1/64	DATE	
TOLERANCES	± 1/64	DATE	
ANGLES	± .5'	DATE	
	± .5'	DATE	

QDP-1C1S4

QDP-1C1S4