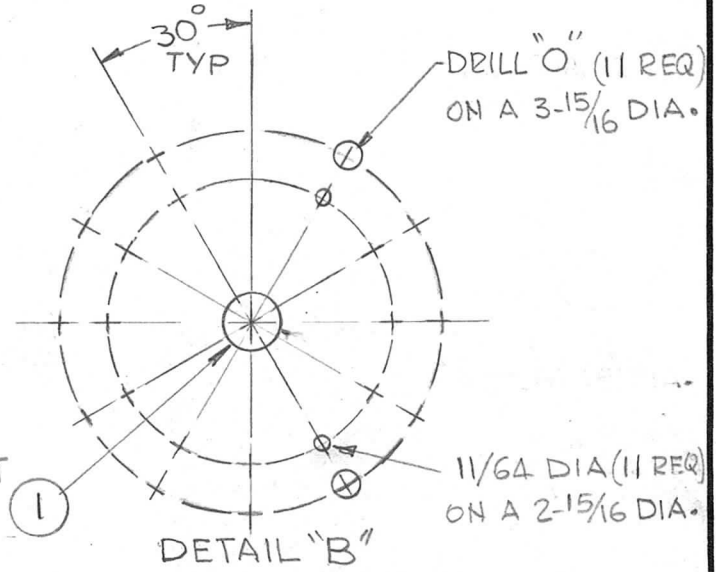
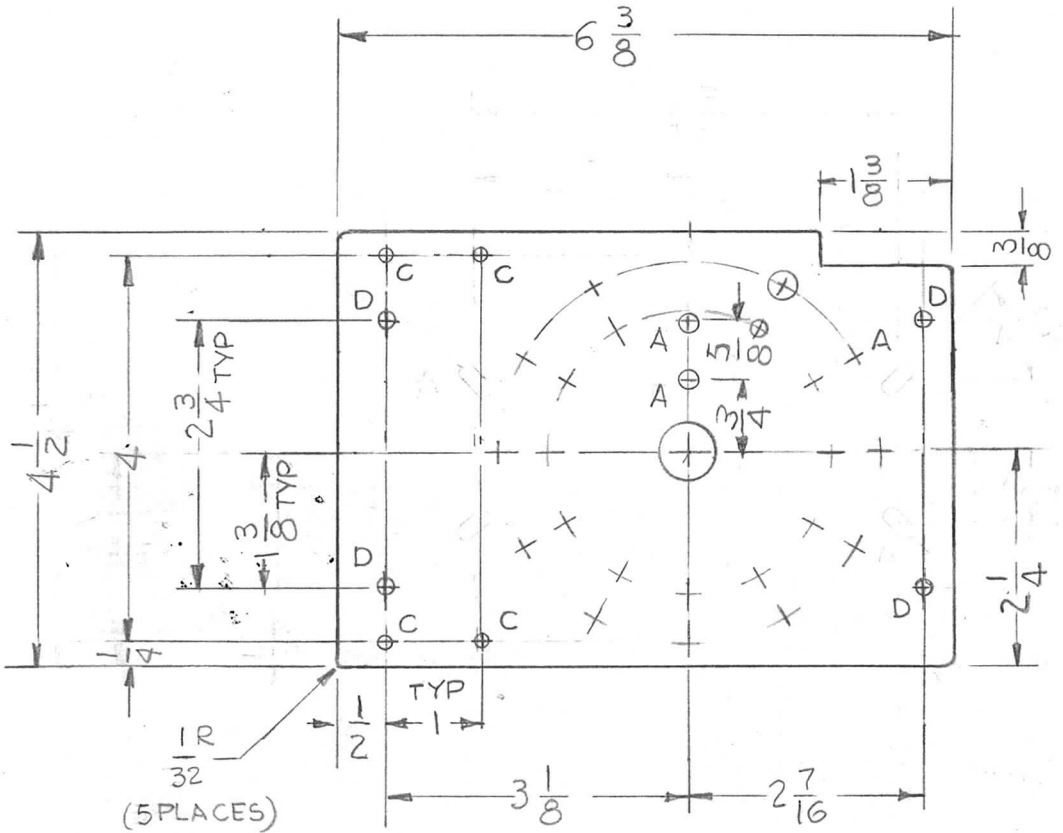


REQ. PER UNIT	USED ON			PX 991	Ø
	MODEL	ASS'Y. NO.	DATE		
1	TLAA-2.5K	AS 128	6-9-66		

HOLE	DESCRIPTION	REQ.
A	11/64 DIA.	2
B	SEE DETAIL	1
C	11/64 DIA	4
D	13/64 DIA	4



PRESS FIT FOR BB120-1

REF. LD2138

Ø	ORIGINAL RELEASE FOR PRODUCTION	11-18-66	Ø	RME		
SYM	DESCRIPTION	DATE	CH. NO.	DRAFTS	CHECKER	ENG. APP.
UNLESS OTHERWISE SPECIFIED DIMENSIONS ARE IN INCHES AND INCLUDE CHEMICALLY APPLIED OR PLATED FINISHES		SCALE 1:2				
DECIMALS .X ± .05 .XX ± .01 .XXX ± .005	TOLERANCES	FRACTIONS ± 1/64 ANGLES ± 0° 30'	CODE A			

1	1	BB120-1	BEARING, RACE	B
REQ. ITEM	PART NO.		DESCRIPTION	SYMBOL
1/4 THK		THE TECHNICAL MATERIEL CORP. MAMARONECK, NEW YORK		
STOCK SIZE		WAFER, SWITCH, L SECTION		
MEEPOXY		MATERIAL		
G-11		G.DL 6-9-66	OCB	OCB
TYPE & TEMPER	HEAT TREAT. SPEC.	DRAWN	CHECKED	FINAL APPROVAL
NONE		OCB	OCB	PX 991
FINISH & SPEC. NO.		ELEC. DES. APP.	MECH. DES. APP.	