

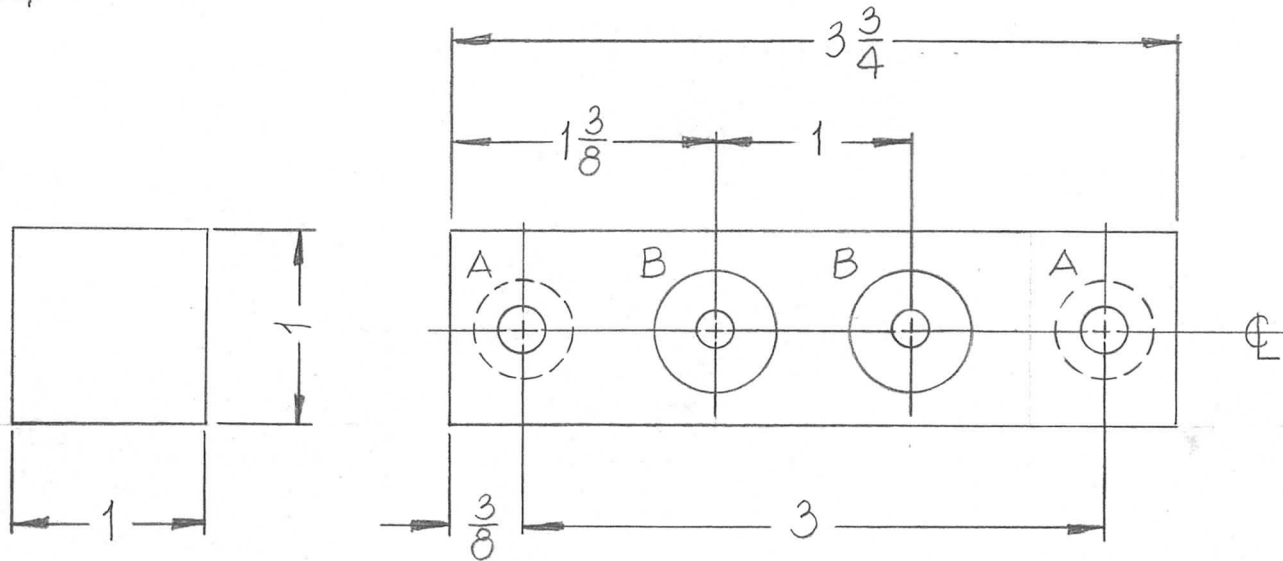
REQ. PER UNIT	USED ON		
	MODEL	ASS'Y. NO.	DATE
1	40K BASIC	A 441	3-9-66
1	KIT 285	A441	3-9-66

PX 978 A

HOLES:

A- DRILL $\frac{15}{64}$ DIA & C'BORE
FROM REAR $\frac{1}{2}$ DIA X $\frac{1}{2}$ DEEP
2 REQ'D

B- DRILL $\frac{3}{16}$ DIA & C'BORE
 $\frac{5}{8}$ DIA X $\frac{3}{4}$ DEEP
2 REQ'D



TG

REF LD 2060

REQ. ITEM	PART NO.	F. BUDETTI DESCRIPTION	SYMBOL
	AS SHOWN	THE TECHNICAL MATERIEL CORP. MAMARONECK, NEW YORK	A
	STOCK SIZE		
	PHENOLIC	BLOCK, MTG, ELECT CONTACT	
	MATERIAL		
	XXXXP	<i>W. Williams</i>	<i>JCB</i>
	TYPE & TEMPER	DRAWN	CHECKED
	HEAT TREAT. SPEC.		FINAL APPROVAL
	5113 FUNGUS PROOFING		
	FINISH & SPEC. NO.	ELEC. DES. APP.	MECH. DES. APP.
			PX 978 A

UNLESS OTHERWISE SPECIFIED
DIMENSIONS ARE IN INCHES AND INCLUDE
CHEMICALLY APPLIED OR PLATED FINISHES

DECIMALS
.X ± .05
.XX ± .01
.XXX ± .005

FRACTIONS
± 1/64
ANGLES
± 0° 30'

TOLERANCES

SCALE

CODE

W. Williams
JCB
Final Approval
PX 978 A