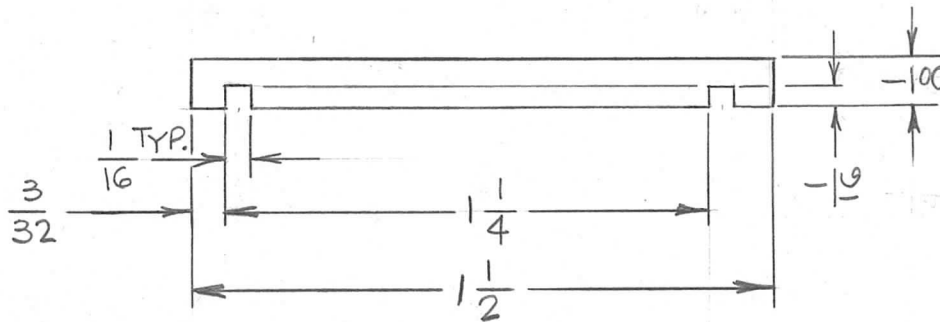
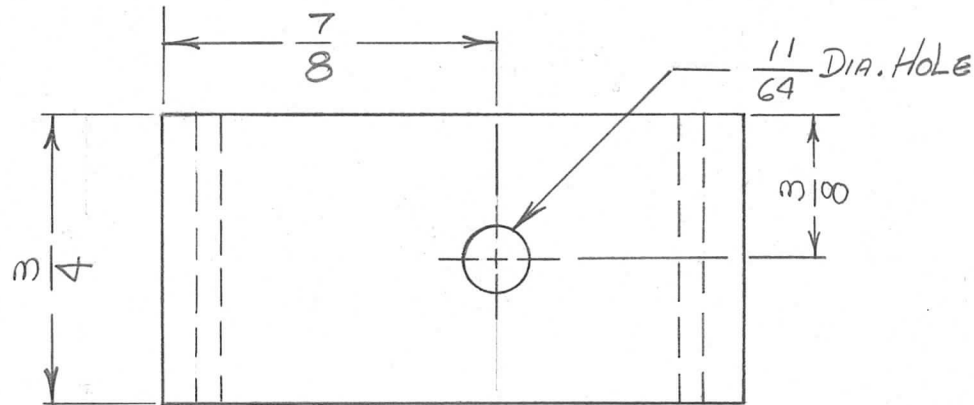


REQ. PER UNIT	USED ON			PX962	Ø
	MODEL	ASS'Y. NO.	DATE		
1	RARB-1		9 AUG 65		
1	RASB-1	A5131	9 AUG 65		



FUNGUS PROOFING PER
TMC SPECIFICATION S-113

SYM	DESCRIPTION	DATE	CH. NO.	DRAFTS	CHECKER	ENG. APP.	REQ. ITEM	PART NO.	LANGER	DESCRIPTION	SYMBOL	
Ø	ORIGINAL RELEASE	10/26/65	Ø				1/8			THE TECHNICAL MATERIEL CORP. MAMARONECK, NEW YORK		
X ₁	REDIMENSIONED	9-20-65		HLA			XXXP PHENOLIC			BOARD, SUPPORT		
UNLESS OTHERWISE SPECIFIED DIMENSIONS ARE IN INCHES AND INCLUDE CHEMICALLY APPLIED OR PLATED FINISHES							SCALE					
							2:1					
DECIMALS .X ± .05 .XX ± .01 .XXX ± .005	TOLERANCES	FRACTIONS ± 1/64 ANGLES ± 0° 30'	CODE									
							NATURAL (SEE NOTE)					
							FINISH & SPEC. NO.	ELEC. DES. APP.	MECH. DES. APP.	PX962 Ø		