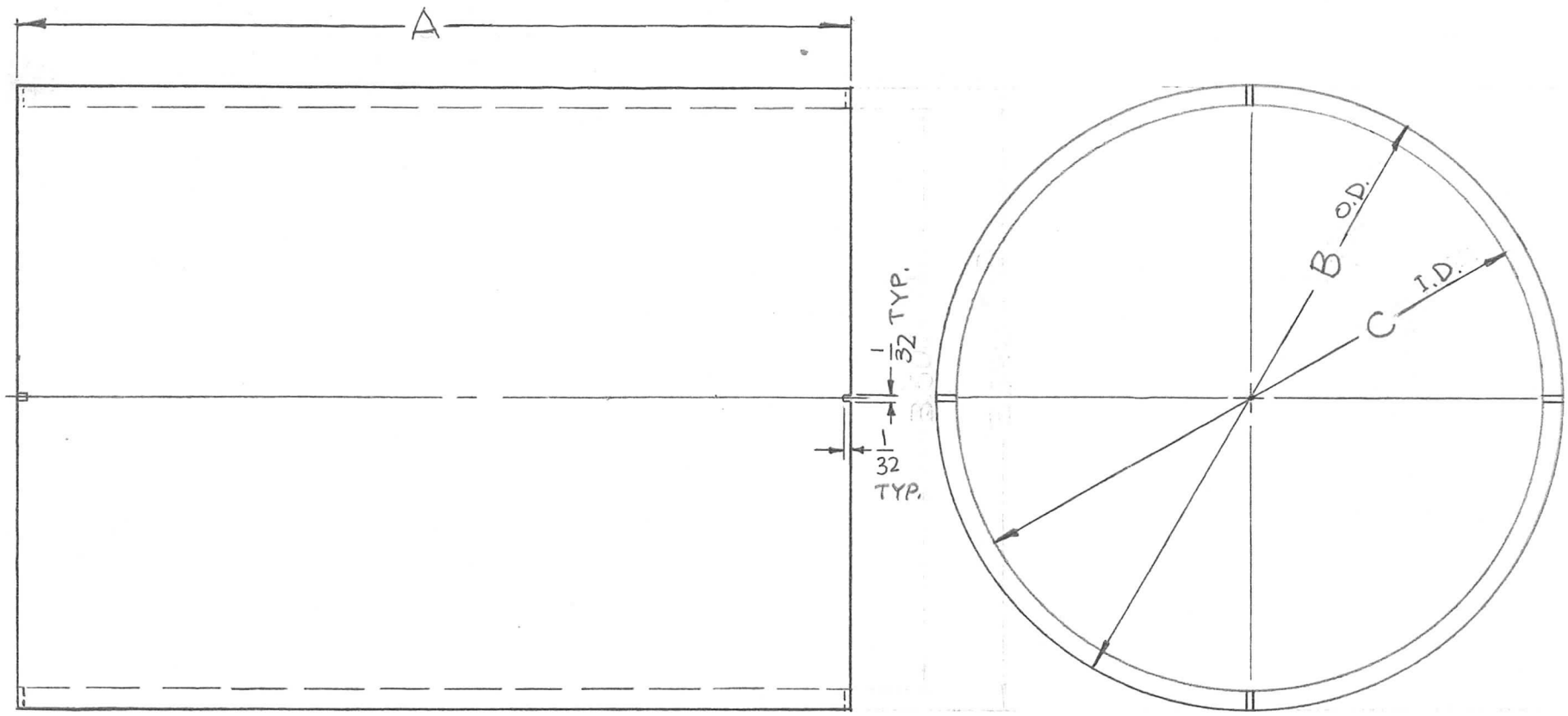


TMC PT. NO.	"A"	"B" (O.D)	"C" (I.D)		REQ. PER UNIT	USED ON			PX942	Ø
PX942-1	5"	3-3/4 DIA	3-1/2 DIA.		2	MODEL	ASS'Y. NO.	DATE		
						TSTE-10K	A 4240	4-26-65		



							REQ. ITEM	PART NO.	F. BUDETTI	DESCRIPTION	SYMBOL
							AS NOTED		THE TECHNICAL MATERIEL CORP.		
							STOCK SIZE		MAMARONECK, NEW YORK		
Ø	ORIGINAL RELEASE FOR PRODUCTION	3-3-66	M	Jc	JCB arc		PLEXIGLASS		INSULATOR, CAP. SUPPORT		
SYM	DESCRIPTION	DATE	CH. NO.	DRAFTS	CHECKER	ENG. APP.	MATERIAL				
UNLESS OTHERWISE SPECIFIED DIMENSIONS ARE IN INCHES AND INCLUDE CHEMICALLY APPLIED OR PLATED FINISHES		SCALE	1:1						SRG	CB	Military
DECIMALS	TOLERANCES	FRACTIONS	CODE								
.X ± .05		± 1/64	A								
.XX ± .01		ANGLES									
.XXX ± .005		± 0° 30'									
							NATURAL				
							FINISH & SPEC. NO.	ELEC. DES. APP.	MECH. DES. APP.	PX942	Ø