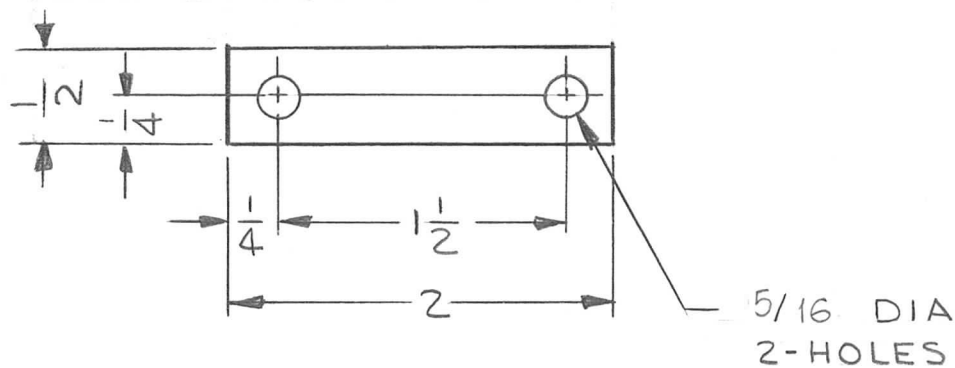


REQ. PER UNIT	USED ON			PX 932 A
	MODEL	ASS'Y. NO.	DATE	
1	GPT-10K	A4236	4-19-65	



REQ.	ITEM	PART NO.	BUDETTI	DESCRIPTION	SYMBOL
		1/16 THK	THE TECHNICAL MATERIEL CORP. MAMARONECK, NEW YORK		
		STOCK SIZE	TERMINAL BOARD		
		PHENOLIC			
		MATERIAL			
		XXXXP	J.L. 4/15/65	JCB	1/1/65 4/20/65
		TYPE & TEMPER	HEAT TREAT. SPEC.	DRAWN	CHECKED
		NATURAL S113 FUNGUS PROOF	7RD 4-20-65	4/20/65	PX 932 A
		FINISH & SPEC. NO.	ELEC. DES. APP.	MECH. DES. APP.	
UNLESS OTHERWISE SPECIFIED DIMENSIONS ARE IN INCHES AND INCLUDE CHEMICALLY APPLIED OR PLATED FINISHES		SCALE 1/1			
DECIMALS .X ± .05 .XX ± .01 .XXX ± .005	TOLERANCES	FRACTIONS ± 1/64 ANGLES ± 0° 30'	CODE		