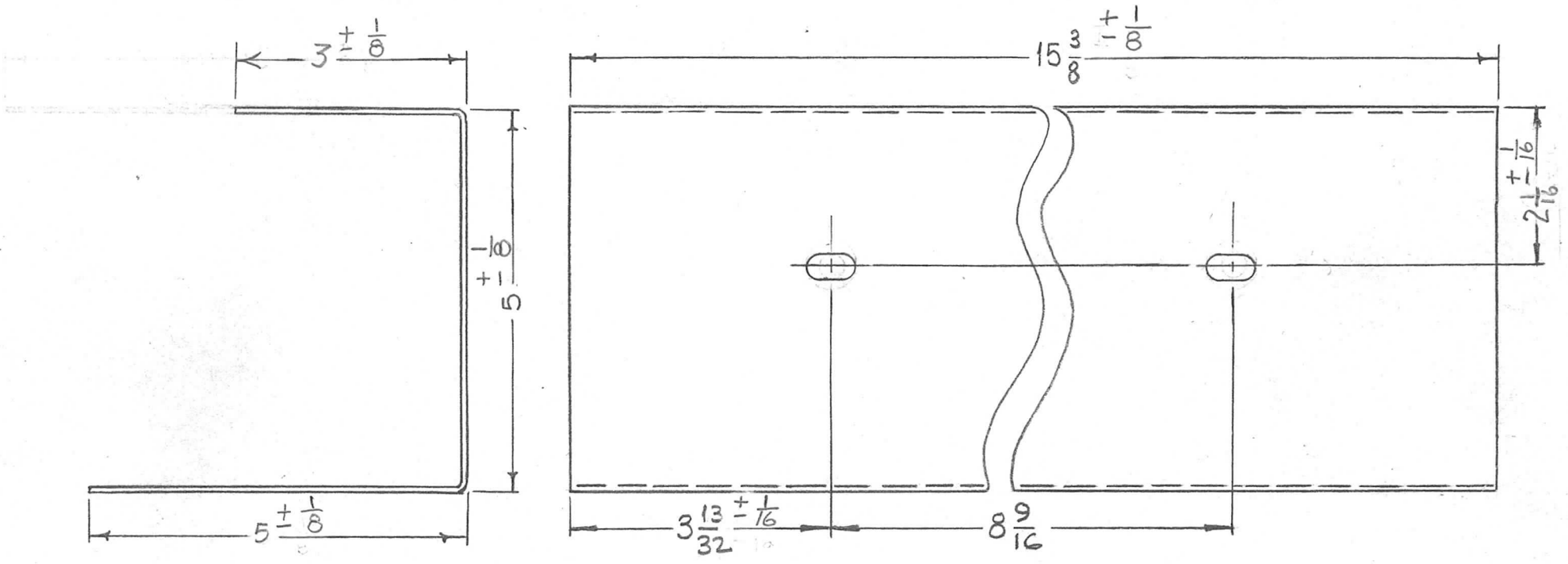


REQ. PER UNIT	USED ON			PX 919	B
	MODEL	ASS'Y. NO.	DATE		
2	GPT-200K		2-23-65		

HOLES -  
5/16 X 5/8 SLOT (2 REQ.)



B	TOL ADDED, MAT WAS KYDEX 100, GRAY 52001	8/25/67	18474	H.G.	FB	FB											
A	3 DIM WAS 6 5/16 X 5/8 SLOT WAS 5/16	11/28/66	17305	WHD	FB	FB					REF: LD1799						
Ø	ORIGINAL RELEASE	1/28/65			file												
X2	MATERIAL WAS 3 LAYERS, FIBERGLAS	10/28/65	X2	file													
X1	HOLES ADDED, 15 3/8 WAS 15	6-2-65	X1	SRG													
X	EXP. RELEASE	2-22-65	X	SRG													
SYM	DESCRIPTION	DATE	CH. NO.	DRAFTS	CHECKER	ENG. APP.	MATERIAL										
UNLESS OTHERWISE SPECIFIED DIMENSIONS ARE IN INCHES AND INCLUDE CHEMICALLY APPLIED OR PLATED FINISHES		SCALE															
		1/2:1															
DECIMALS .X ± .05 .XX ± .01 .XXX ± .005		FRACTIONS ± 1/64 ANGLES ± 0° 30'		TOLERANCES		CODE		TYPE & TEMPER		HEAT TREAT. SPEC.		DRAWN		CHECKED		FINAL APPROVAL	
		A										SRG		10/28/65		10/29/65	
																PX 919 B	