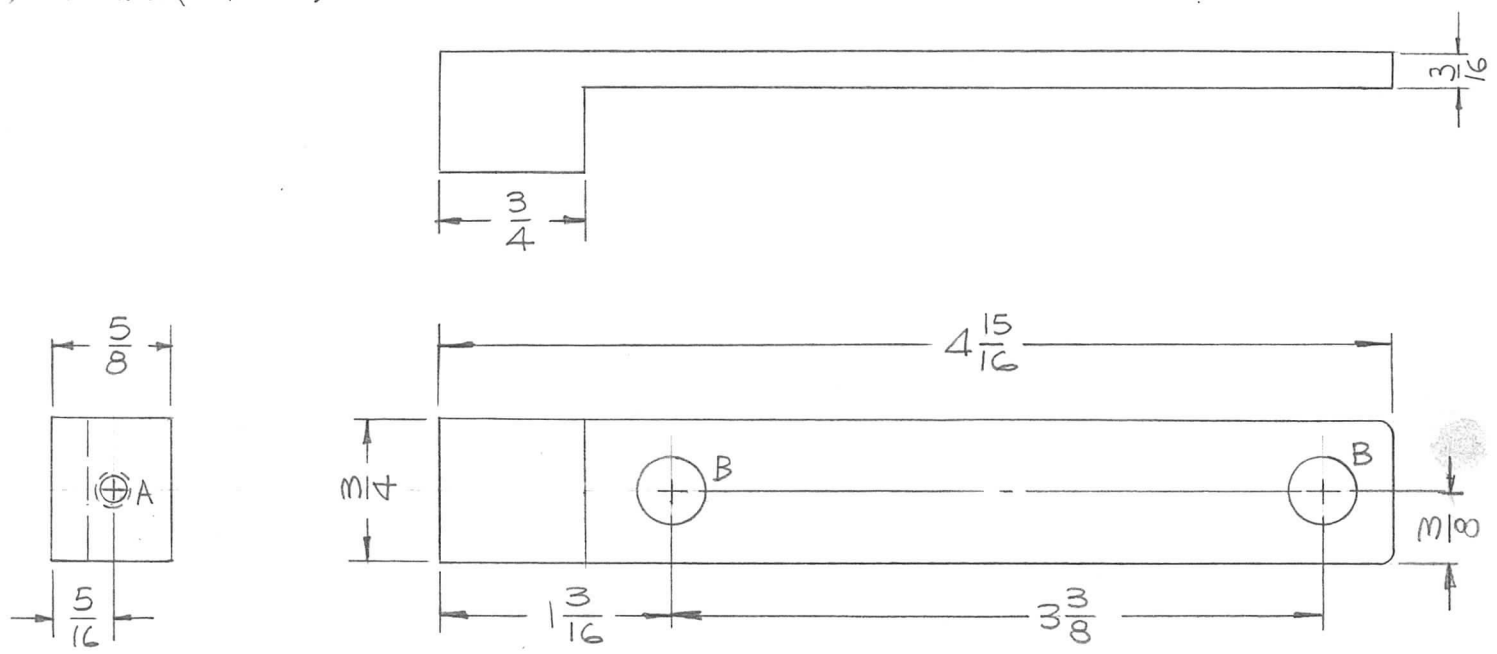


REQ. PER UNIT	USED ON			PX904	C
	MODEL	ASS'Y. NO.	DATE		
2	TLAA-2.5K		10-24-66		

HOLES:

A - DRILL & TAP FOR 10-32 x 1/2 DP. (1 REQ.)

B - 25/64 DIA. (2 REQ.)



REQ.	ITEM	PART NO.	F. BUDETTI DESCRIPTION				SYMBOL
		AS SHOWN	THE TECHNICAL MATERIEL CORP.				
		STOCK SIZE	MAMARONECK, NEW YORK				
C	"B" HOLES WERE 23/64	2.27.68	18790	HS.	FB		
B	REDRAWN & REVISED	10-24-66	17123	HS.	QB		
		SILICONE GLASS	SUPPORT, COIL				
		MATERIAL					
		G-7					
		TYPE & TEMPER	HEAT TREAT. SPEC.	DRAWN	CHECKED	FINAL APPROVAL	
		S113 FUNGUS PROOF,		AK	QB		
		FINISH & SPEC. NO.	ELEC. DES. APP.	MECH. DES. APP.	PX904	C	

UNLESS OTHERWISE SPECIFIED
DIMENSIONS ARE IN INCHES AND INCLUDE
CHEMICALLY APPLIED OR PLATED FINISHES

SCALE 1:1

DECIMALS .X ± .05 .XX ± .01 .XXX ± .005

FRACTIONS ± 1/64 ANGLES ± 0° 30'

TOLERANCES A