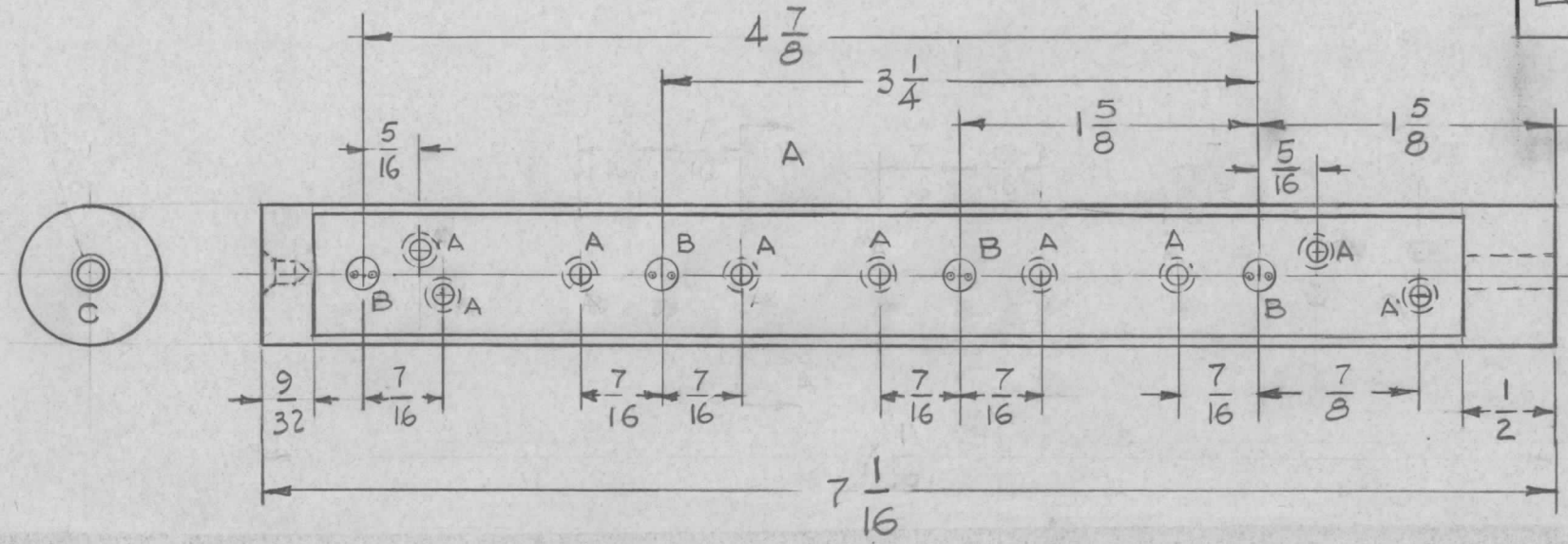
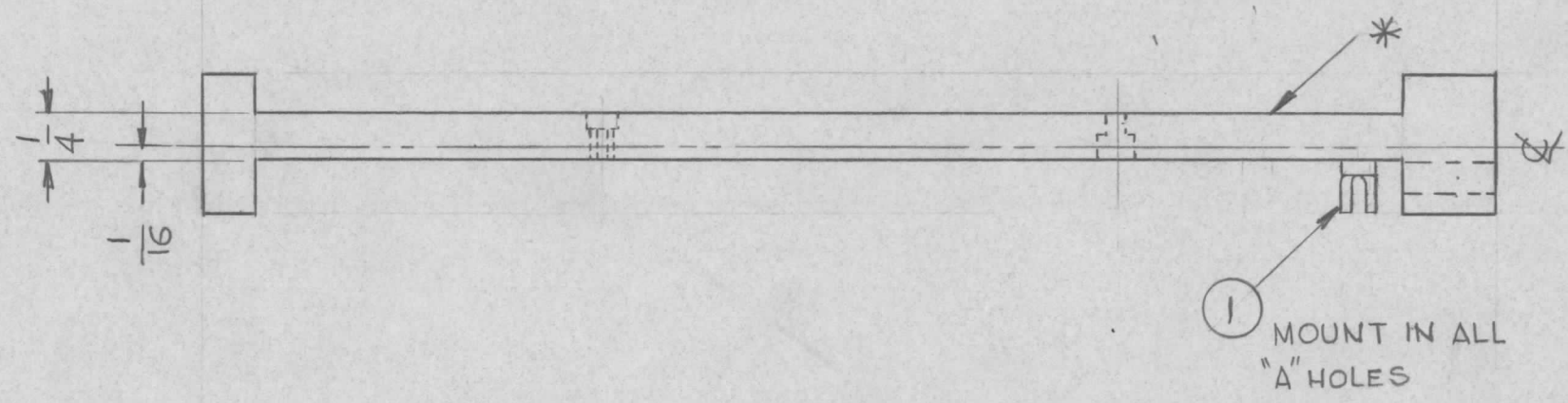
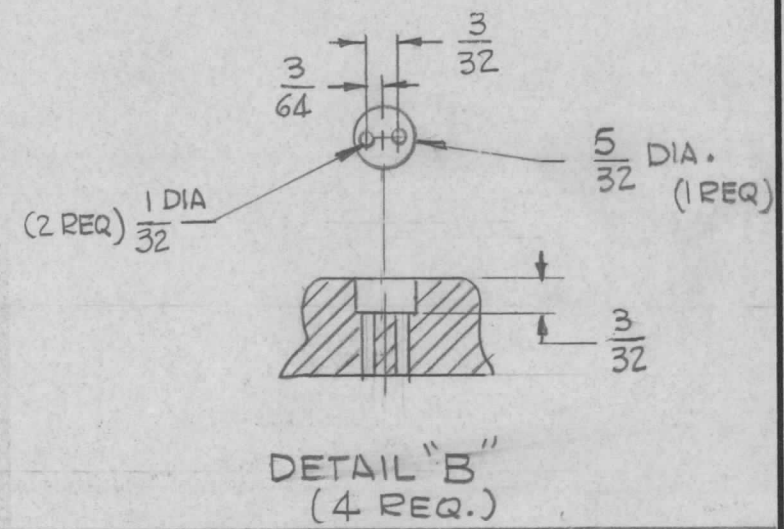


PX 857

REVISIONS						
SYM	DESCRIPTION	DATE	E.M.N. NO.	DRAFT	CHKD	APPD
X	EXP. RELEASE	11-10-64		G.D.L		
X1	ON "C" HOLE (CHART) DIM. 5/32 ADDED	12-23-64		G.D.L		
Ø	ORIGINAL RELEASE FOR PRODUCTION	4.9.65	Ø	JL		



HOLE	DESCRIPTION	REQ
A	.110 DIA. THRU & 3/16 C'BORE x 1/8 DEEP	9
B	SEE DETAIL	4
C	.128 DIA. x 5/32 DEEP & 82° C'SINK TO 3/16 DIA.	1



* SPRAY THIS SURFACE W/WHITE SEMI-GLOSS ENAMEL PER FED-STD-595, No. 27875 AFTER MOUNTING LUGS

REQ'D.	ITEM	PART NUMBER	DESCRIPTION	SYMBOL
9	1	TE109-1	TERMINAL, STUD	

LIST OF MATERIAL				
MATERIAL	XXXX PHENOLIC ROD LINEN BASE	THE TECHNICAL MATERIEL CORP. MAMARONECK, NEW YORK		
FINISH	NATURAL	LAMP HOLDER, DIAL		
UNLESS OTHERWISE SPECIFIED DIMENSIONS ARE IN INCHES AND INCLUDE CHEMICALLY APPLIED OR PLATED FINISHES		DRAWN	DATE	FINAL APPROVAL
		G.D.L	11-10-64	<i>[Signature]</i>
		CHECKED	DATE	
		ELECT. DES.	DATE	
		MECH. DES.	DATE	
		<i>[Signature]</i>	4-8-65	

Q'TY./UNIT	MODEL USED ON	ASS'Y. NO.
1	VLRB-1	A
SCALE	CODE	
1:1	A	

THE CONTENTS OF THIS DRAWING ARE THE EXCLUSIVE PROPERTY OF THE TECHNICAL MATERIEL CORP. ITS UNAUTHORIZED USE OR REPRODUCTION IN WHOLE OR IN PART IS STRICTLY FORBIDDEN.

NOTES